

## Type 8718 / 8719

LFC, Liquid Flow Controller

## Type 8708 / 8709

LFM, Liquid Flow Meter



Type 8719  
Type 8709



Type 8718  
Type 8708

## Operating Instructions

Bedienungsanleitung  
Manuel d'utilisation

We reserve the right to make technical changes without notice.  
Technische Änderungen vorbehalten.  
Sous réserve de modification techniques.

© 2009–2022 Bürkert Werke GmbH & Co. KG

Operating Instructions 2211/02\_EU-ML\_00805765

# LFC, Liquid Flow Controller Type 8718, 8719

## LFM, Liquid Flow Meter Type 8708, 8709

### CONTENTS

<b>1.</b>	<b>OPERATING INSTRUCTIONS .....</b>	<b>6</b>
<b>1.1.</b>	<b>Symbols.....</b>	<b>6</b>
<b>2.</b>	<b>AUTHORIZED USE .....</b>	<b>7</b>
<b>2.1.</b>	<b>Restrictions .....</b>	<b>7</b>
<b>2.2.</b>	<b>Predictable Misuse .....</b>	<b>7</b>
<b>3.</b>	<b>BASIC SAFETY INSTRUCTIONS .....</b>	<b>8</b>
<b>4.</b>	<b>GENERAL INFORMATION.....</b>	<b>9</b>
<b>4.1.</b>	<b>Scope of Supply.....</b>	<b>9</b>
<b>4.2.</b>	<b>Warranty .....</b>	<b>9</b>
<b>4.3.</b>	<b>Trademarks.....</b>	<b>9</b>
<b>4.4.</b>	<b>Information on the Internet.....</b>	<b>10</b>
<b>5.</b>	<b>SYSTEM DESCRIPTION.....</b>	<b>11</b>
<b>5.1.</b>	<b>General Description .....</b>	<b>11</b>
5.1.1.	LFC, Liquid Flow Controller .....	11
5.1.2.	LFM, Liquid Flow Meter .....	11
<b>5.2.</b>	<b>Functions.....</b>	<b>11</b>
5.2.1.	Function of the LFC, Liquid Flow Controller .....	11
5.2.2.	Function of the LFM, Liquid Flow Meter .....	12
5.2.3.	Function of the sensor .....	12
5.2.4.	Control electronics.....	13
<b>5.3.</b>	<b>Proportional valve .....</b>	<b>15</b>

<b>6.</b>	<b>TECHNICAL DATA .....</b>	<b>16</b>
6.1.	Labels on the device.....	16
6.1.1.	Inscription on the rating plate / calibration plate .....	16
6.2.	Operating Conditions.....	17
6.3.	Standards and directives.....	17
6.4.	Mechanical Data .....	18
6.5.	Installation dimensions .....	19
6.6.	Fluidic Data .....	25
6.7.	Electrical Data.....	25
<b>7.</b>	<b>INSTALLATION AND START-UP .....</b>	<b>27</b>
7.1.	Safety instructions .....	27
7.2.	Procedures prior to installation .....	27
7.3.	Sequence of the steps to be performed.....	28
7.4.	Fluid Installation.....	28
7.5.	Electrical Installation.....	29
7.5.1.	Setting the bus address on devices without rotary switch for setting the address.....	30
7.5.2.	Setting the bus address on devices with rotary switch for setting the address (Types 8718 / 8708).....	30
7.5.3.	Pin assignment .....	31
<b>8.</b>	<b>OPERATION AND FUNCTION .....</b>	<b>34</b>
8.1.	Safety instructions .....	34
8.2.	Operation of the LFC / LFM.....	34
8.2.1.	LEDs .....	35
8.2.2.	Inputs/Outputs.....	35
8.3.	Functions of the LFC / LFM.....	38
8.3.1.	Standard control mode.....	39
8.3.2.	Autotune function .....	39
8.3.3.	Safety function.....	40
8.3.4.	Set-point value profile.....	40
8.3.5.	Control mode .....	40

- 9. MAINTENANCE, TROUBLESHOOTING..... 41**
  - 9.1. Safety instructions ..... 41**
  - 9.2. Maintenance Work ..... 41**
    - 9.2.1. Maintenance when operating with highly soiled fluids ..... 42
    - 9.2.2. Cleaning and recalibration at the factory ..... 43
  - 9.3. Malfunctions..... 43**
- 10. ACCESSORIES / SPARE PARTS..... 45**
  - 10.1. Accessories ..... 45**
    - 10.1.1. Electrical accessories ..... 45
    - 10.1.2. Fluid accessories ..... 46
    - 10.1.3. Mass Flow Communicator (PC software) ..... 46
    - 10.1.4. Documentation ..... 47
  - 10.2. Spare parts..... 47**
- 11. SHUTDOWN ..... 48**
  - 11.1. Safety instructions ..... 48**
  - 11.2. Removal of the LFC / LFM..... 48**
- 12. PACKAGING, STORAGE, TRANSPORT..... 49**
  - 12.1. Packing, Transporting ..... 49**
  - 12.2. Storing ..... 49**
- 13. RETURNING THE DEVICE ..... 50**
- 14. DISPOSAL ..... 51**

MAN 1000122156 ML Version: F Status: RL (released | freigegeben) printed: 22.08.2024

# 1. OPERATING INSTRUCTIONS

The operating instructions describe the entire life cycle of the device. Keep these instructions in a location which is easily accessible to every user and make these instructions available to every new owner of the device.



## WARNING!

The operating instructions contain important safety information!

Failure to observe these instructions may result in hazardous situations.

- The operating instructions must be read and understood.

## 1.1. Symbols



## DANGER!

Warns of an immediate danger!

- Failure to observe the warning result in a fatal or serious injury.



## WARNING!

Warns of a potentially dangerous situation!

- Failure to observe the warning may result in serious injuries or death.



## CAUTION!

Warns of a possible danger!

- Failure to observe this warning may result in a medium or minor injury.

## NOTE!

Warns of damage to property!

- Failure to observe the warning may result in damage to the device or the equipment.



indicates important additional information, tips and recommendations.



refers to information in these operating instructions or in other documentation.

→ designates a procedure which you must carry out.

## 2. AUTHORIZED USE

Non-authorized use of the LFC / LFM Types 8718, 8719 / 8708, 8709 may be a hazard to people, nearby equipment and the environment.

- The LFC Types 8718 and 8719 are designed for controlling the flow-rate of clean and low-viscosity liquids.
- The LFM Types 8708 and 8709 are used exclusively for measuring the flow-rate of clean and low-viscosity liquids.
- Only the fluids stated on the rating plate and on the calibration protocol may be used for operation.
- If used outdoors, the device must be protected from the elements. Protect against humidity and direct sunlight and observe the permitted ambient temperature.
- During use observe the authorized data and operating conditions specified in the contract documents and operating instructions, as well as the range of applications described in chapter 5.1.
- Correct transportation, storage and installation, and careful use and maintenance, are essential for reliable and faultless operation.
- Use the device only as intended.

### 2.1. Restrictions

If exporting the system/device, observe any existing restrictions.

### 2.2. Predictable Misuse

- The LFC / LFM Types 8718, 8719 / 8708, 8709 must not be used for controlling / measuring the flow-rate of fluids containing particles (particle size > 20 µm).
- Do not operate the device without the stainless steel mesh filter disc installed at the factory.
- Do not feed any other fluids into the system other than the designated operating fluid indicated on the device type plate.  
Exception: Agent for cleaning and decontaminating the device (see also chapter 9.2.1).  
In doing so, observe the resistance of the materials used in the device. The Chemical Resistance Chart can be found on the Internet at:  
[country.burkert.com](http://country.burkert.com)  
If in doubt, contact the manufacturer.
- Do not operate the device in an mounting position which deviates from the calibration conditions.
- Do not put any loads on the housing (e.g. by placing objects on it or standing on it).
- Do not make any modifications to the device housings. Do not paint the housing parts or screws.

### 3. BASIC SAFETY INSTRUCTIONS

These safety instructions do not make allowance for any

- contingencies and events which may arise during the installation, operation and maintenance of the devices.
- local safety regulations – the operator is responsible for observing these regulations, also with reference to the installation personnel.



#### Danger – high pressure!

- Before loosening the lines and valves, turn off the pressure and vent the lines.

#### Risk of electric shock!

- Before removing covers, switch off the power supply and secure to prevent reactivation!
- Observe applicable accident prevention and safety regulations for electrical equipment!

#### Danger from escaping operating fluid!

- If contact is made with the operating fluid and its reaction products, including in vapor form (touching, inhaling), there is an acute risk of injury.
- Observe applicable accident prevention and safety regulations for the operating fluids used.

#### General hazardous situations.

To prevent injury, ensure that:

- The system cannot be activated unintentionally.
- Installation and repair work may be carried out by authorized technicians only and with the appropriate tools.
- After an interruption in the power supply or fluid supply, ensure that the process is restarted in a defined or controlled manner.
- The device may be operated only when in perfect condition and in consideration of the operating instructions.
- The general rules of technology apply to application planning and operation of the device.

#### NOTE!

##### Electrostatic sensitive components / modules!

The device contains electronic components which react sensitively to electrostatic discharge (ESD). Contact with electrostatically charged persons or objects is hazardous to these components. In the worst case scenario, they will be destroyed immediately or will fail after start-up.

- Observe the requirements in accordance with EN 61340-5-1 and 5-2 to minimize or avoid the possibility of damage caused by sudden electrostatic discharge!
- Also ensure that you do not touch electronic components when the power supply voltage is present!



The LFC / LFM Types 8718, 8719 / 8708, 8709 were developed with due consideration given to the accepted safety rules and are state-of-the-art. Nevertheless, dangerous situations may occur.

Failure to observe this operating manual and its operating instructions as well as unauthorized tampering with the device, release us from any liability and also invalidate the warranty covering the devices and accessories!



## 4. GENERAL INFORMATION

### 4.1. Scope of Supply

Check immediately upon receipt of the delivery, that the contents are not damaged and that the type and scope agree with the delivery note and packing list.

If there are any discrepancies, please contact us immediately.

#### Germany

Contact address:

Bürkert Fluid Control Systems  
 Sales Center  
 Chr.-Bürkert-Str. 13–17  
 D-74653 Ingelfingen  
 Tel. + 49 (0) 7940 - 10 91 111  
 Fax + 49 (0) 7940 - 10 91 448  
 E-mail: info@de.buerkert.com

#### International

Contact addresses can be found on the final pages of the printed operating instructions.

And also on the internet at:

[country.burkert.com](http://country.burkert.com)

### 4.2. Warranty

This document contains no promise of guarantee. Please refer to our general terms of sales and delivery. The warranty is only valid if the LFC / LFM Types 8718, 8719 / 8708, 8709 are used as intended in accordance with the specified application conditions.



The warranty extends only to defects in the LFC / LFM Types 8718, 8719 / 8708, 8709 and its components.

We accept no liability for any kind of collateral damage which could occur due to failure or malfunction of the device.

### 4.3. Trademarks

The brands listed below are trademarks of the corresponding companies / associations / organisations

PROFIBUS	PROFIBUS Nutzerorganisation e. V.
CANopen	CiA CAN in Automation

## 4.4. Information on the Internet

Operating instructions and data sheets for Types 8718, 8719, 8708 und 8709 can be found on the Internet at:

[country.burkert.com](http://country.burkert.com)

The complete documentation is also available on CD which can be ordered by quoting part no. 804 625.

## 5. SYSTEM DESCRIPTION

### 5.1. General Description

The LFC / LFM Types 8718, 8719 / 8708, 8709 are devices for controlling or measuring the flow-rate of liquids in process technology.

The devices are specified for the control and measurement of low flow-rates.

#### 5.1.1. LFC, Liquid Flow Controller

The actual flow-rate value supplied by the integrated sensor is compared in the digital control electronics with the set-point flow-rate value specified, via a standard signal or field bus. The actual flow-rate value is also available as an output, via a standard signal or field bus.

If there is a control deviation, the actuating variable output to the proportional valve is modified via a control algorithm. As a result, the actual flow-rate is adjusted to the set-point value and the flow-rate can be held on a fixed value or follow a predefined profile sequence, irrespective of pressure changes or other disturbances in the system.

A low-friction proportional valve with a high response sensitivity is used as an actuating element.

#### 5.1.2. LFM, Liquid Flow Meter

The actual flow-rate value supplied by the integrated sensor is available as an output, via a standard signal or field bus.

### 5.2. Functions

#### 5.2.1. Function of the LFC, Liquid Flow Controller

The LFC Types 8718 and 8719 are compact devices for controlling the flow-rate of liquids.

They correct a stipulated set-point flow-rate value independently of disturbance variables, such as pressure fluctuations or fluctuating flow resistance, e.g. due to filter soiling.

The Liquid Flow Controller consists of the following components:

- Flow sensor (Q sensor),
- Control electronics (with signal processing, control and valve actuation functions),
- Proportional solenoid valve as an actuating element.

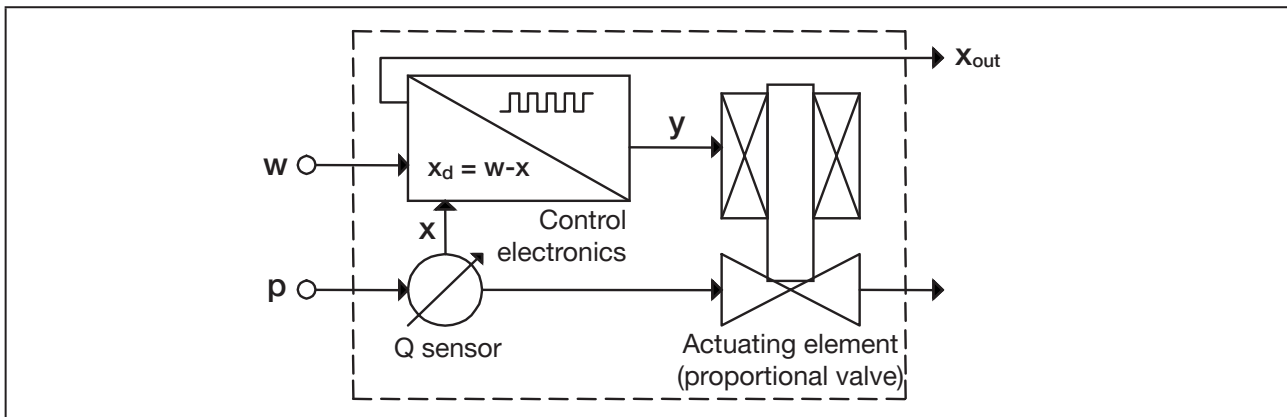


Fig. 1: Components of the Liquid Flow Controller

### Operating mode

The set-point default value ( $w$ ) is implemented electrically via a standard signal or a field bus. The actual value ( $x$ ) measured by the sensor is compared with the set-point value in the controller. The controller supplies the actuating element with a pulse-width modulated voltage signal as an actuating variable. The pulse-duty factor of the voltage signal is varied according to the established control deviation.

The actual value is also supplied externally as  $x_{out}$  via an analogue electrical interface or a field bus and is available to the user for monitoring purposes or other evaluations (e.g. consumption determination by integration).

### 5.2.2. Function of the LFM, Liquid Flow Meter

The LFM Types 8708 and 8709 lack the proportional valve component, compared to the corresponding LFC Types 8718 and 8719.

The devices can therefore only measure the flow-rate and not correct it independently. The properties of the other components, in particular the sensor described below, are identical to those of the LFC Types.

### 5.2.3. Function of the sensor

The flow-rate is measured according to the differential pressure method.

A measuring orifice in the main duct generates a pressure drop in a flow-rate from  $p_1$  to  $p_2$ ; this pressure drop is measured by the differential pressure sensor (see Fig. 2: Flow-rate measurement; Differential pressure method).

The differential pressure sensor, constructed from two individual pressure measuring cells, supplies a precise and temperature-compensated measuring signal which is used to calculate the flow-rate.

Irrespective of the control status, the flow-rate value measured by the sensor is sent via a standard analogue signal output or digitally via the field bus.



To maintain a dynamic or quiet actual value output signal, the damping of the output signal can be changed with the "Mass Flow Communicator" software (see chapter 10.1.3. Mass Flow Communicator (PC software)).

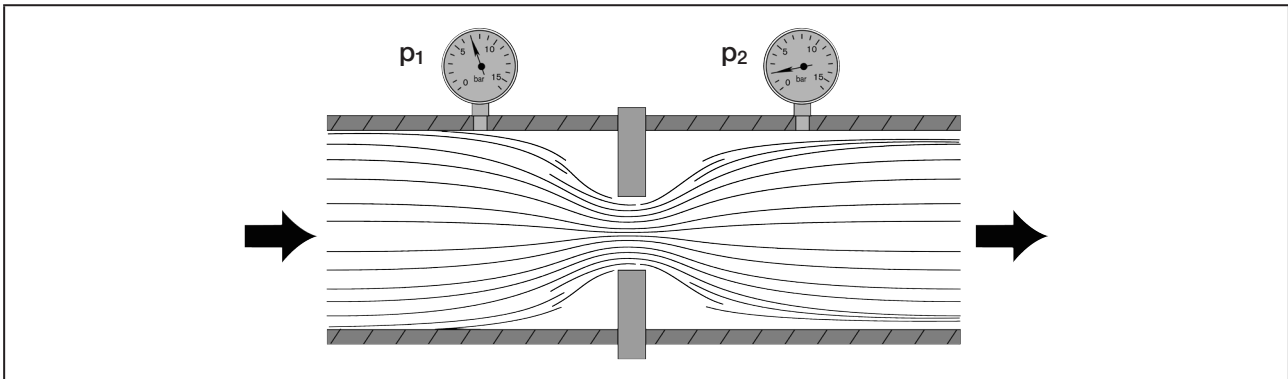


Fig. 2: Flow-rate measurement; Differential pressure method

### Properties of the differential pressure method

- This measuring method has very short response times and therefore also allows very short sampling rates by the control electronics.
- The measurement occurs statically, no moving parts are required in the fluid.

### 5.2.4. Control electronics

Microprocessor electronics process the current set-point and actual flow-rates and control the actuating element.

The sensor signal is processed by the control electronics and is converted by the calibration curve stored in the device into a value corresponding to the actual flow-rate.

To control critical processes, where quick flow-rate changes are not permitted, a ramp function can be activated via the "Mass Flow Communicator" software (see chapter 10.1.3. *Mass Flow Communicator (PC software)*).

In doing so, the parameters for an ascending and a descending set-point value can be set separately.



More detailed information on the ramp function and on all other functions can be found in the software documentation for the LFC / LFM.

#### Control deviation:

Control deviation = Set-point value – Actual value

$x_d = w - x$

The control deviation is processed according to a PI control algorithm.

The control parameters are set at the factory.

To take account of the properties of the control path, the controller operates with path-dependent amplification factors. When the autotune function runs, these are determined automatically.

**Control parameters:**

The device has a stored parameter which can change the control dynamics with the aid of the "Mass Flow Communicator" software (see chapter 10.1.3. *Mass Flow Communicator (PC software)*). Its extreme effects are

1. a very quick adjustment in which overshoots are accepted,
2. a slower adjustment to the required flow-rate.

The former may result in the controller responding immediately to very low control deviations, causing the control to be very turbulent.

If the process is less dynamic, the behaviour of the controller may be damped so that minor fluctuations of the actual value or set-point value are adjusted slowly.

**Actuating variable:**

The actuating variable is available as a pulse-width modulated (PWM) signal to the proportional valve. The frequency of this signal is adjusted depending on the valve used.

The pulse-duty factor of the PWM signal is used as an actuating variable.

The pulse-duty factor is the quotient of the switch-on time and the cycle duration.

The greater the switch-on time, i.e. the longer the valve coil is actuated, the greater the average coil current. The coil current is the cause of the resulting magnetic field in the coil.

A greater coil current results in a greater magnetic field, which increases the valve's magnetic force, which finally moves the valve armature (also known as valve core) up against a spring force.


**Correction time:**

An overall brief correction time is achieved by the proportional valve responding rapidly as an actuating element and by the brief response time of the measuring element (see chapter 6.6. *Fluidic Data*).

**Zero point shut-off:**

To ensure the sealing function of the valve, a zero point shut-off is integrated. This is activated if the following conditions occur at the same time:

Set-point value < 10 % of nominal flow-rate $Q_{nom}$	and	Actual value < 10 % of nominal flow-rate $Q_{nom}$
--	-----	--

 If zero point shut-off is active, the PWM signal is set to 0 % so that the valve is completely closed.

The valve is a direct-acting, normally closed valve.

A return spring presses the valve armature onto the valve seat and seals it, provided the coil is not actuated, i.e. it cannot generate a magnetic force counteracting the reset force.

A soft seat seal integrated in the valve armature ensures that the valve reliably shuts off the fluid flow.

**Set-point value:**

The set-point value is specified, according to the device model, either as an analogue signal via the standard signal input or digitally via the serial interface or the field bus interface.

MAN 1000122156 ML Version: F Status: RL (released | freigegeben) printed: 22.08.2024

### 5.3. Proportional valve

The LFC uses direct acting, lifting-armature, proportional valves as actuating elements, taken from the Bürkert range of valves.

The low-friction guide of the valve armature ensures (in conjunction with the PWM control) a continuous, mainly linear characteristic, as well as high response sensitivity. Both are important for the optimum functionality of the LFC closed control circuit.

The orifices of the valves are based on the required nominal flow-rate  $Q_{nom}$ , the pressure conditions in the application and the density of the operating fluid.

A proportional valve is selected by the manufacturer on the basis of this data, so that the flow-rate coefficient  $k_V$  of the LFC (according to the flow-rate equations at the specified pressure conditions) allows a maximum flow-rate of at least the required nominal flow-rate  $Q_{nom}$ .



If the device is operated within the specified pressure range, the proportional valve simultaneously takes over the sealing function together with the control function.

In the case of special, hard seal materials, the seal function could not be ensured. In this case an additional shut-off valve may be required.



The LFC or LFM is typically calibrated to units which are useful for low flow-rates such as l/h or ml/min.

## 6. TECHNICAL DATA

### CAUTION!

Risk of injury from pressure and discharge of fluid.

Important device-specific technical data is indicated on the rating plate and the calibration plate (see chapter 6.1.1. *Inscription on the rating plate / calibration plate*).

- Observe permitted fluid according to rating plate (depending on seal material).
- Observe permitted pressure range on the calibration plate of the device.

### 6.1. Labels on the device

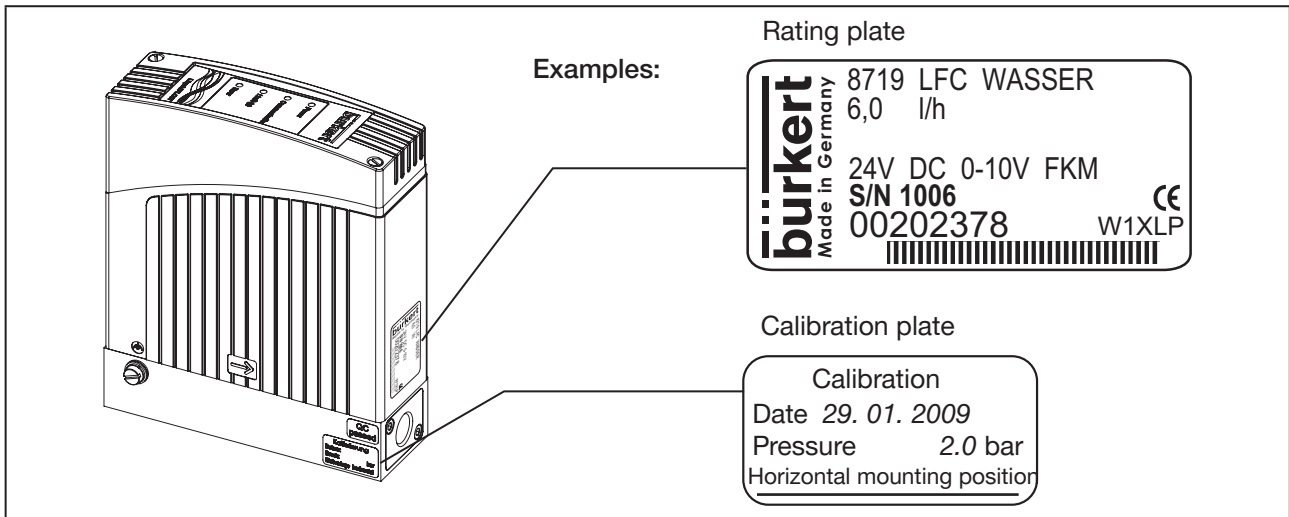
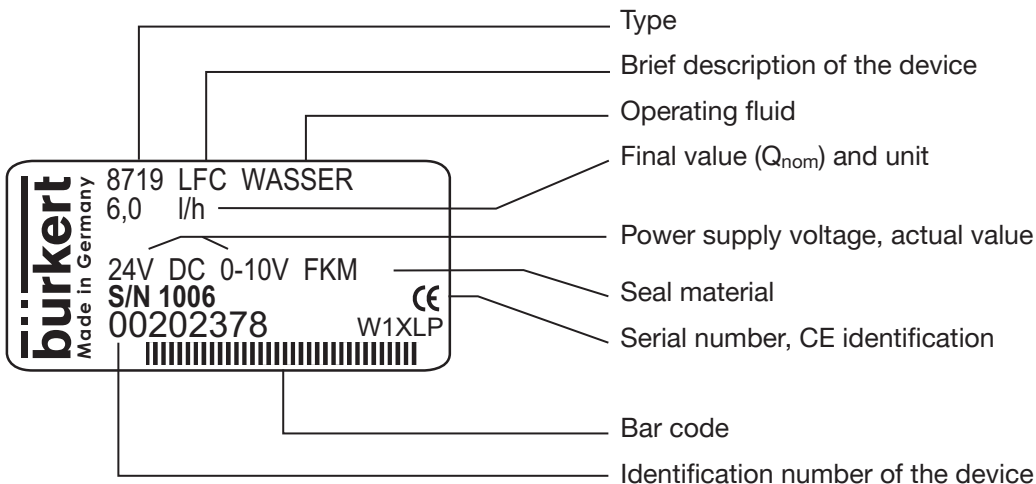


Fig. 3: Rating plate, calibration plate

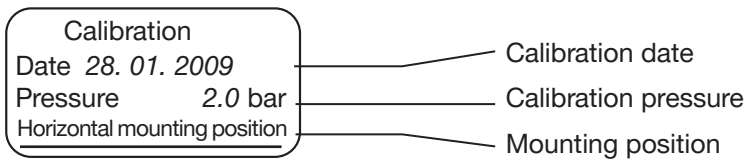
#### 6.1.1. Inscription on the rating plate / calibration plate

Example of rating plate





Example of calibration plate



## 6.2. Operating Conditions



### WARNING!

**Risk of injury from malfunction due to effects of weather!**

The LFC / LFM is not designed for unrestricted use outdoors.

If the device is not protected from the elements, there is a risk of injury from the device failing.

- Protect the device from direct sunlight.
- Ensure that the ambient temperature permitted for the device is observed.
- Protect the device from humidity in consideration of the protection class indicated below.

### Allowable temperatures

Ambient temperature:	Operation: 0...+55 °C
	Storage: -10...+70 °C

Fluid temperature:	+10...+40 °C
--------------------	--------------

Permitted air humidity:	0...95 %, without condensation
-------------------------	--------------------------------

Operating fluids:	clean and low-viscosity liquids
-------------------	---------------------------------

Protection class in accordance with DIN EN 60529:	Types 8709 and 8719: IP65 (only if cables, plugs and sockets have been connected correctly)
	Types 8708 and 8718: IP40

## 6.3. Standards and directives

CE mark conforms to EMC Directive 2004/108/EEC (previously: 89/336/EEC) (only if cables, plugs and sockets have been connected correctly).

The device complies with the relevant EU harmonisation legislation. In addition, the device also complies with the requirements of the laws of the United Kingdom.

The harmonised standards that have been applied for the conformity assessment procedure are listed in the current version of the EU Declaration of Conformity/UK Declaration of Conformity.

## 6.4. Mechanical Data

Mounting position:	horizontal or vertical (see calibration plate / calibration protocol)
Material:	Housing: Types 8709 and 8719: Stainless steel 1.4404 Types 8708 and 8718: Stainless steel 1.4404  Cover: Types 8709 and 8719: PTB Types 8708 and 8718: PC
Sealing material	FKM, EPDM, FFKM (see rating plate)
Weight:	Types 8709 and 8719: approx. 1200 g (stainless steel) Types 8708 and 8718: approx. 1000 g (stainless steel)
Dimensions: (L x H x W)	Types 8709 and 8719: 115 mm x 137.5 mm x 37 mm Types 8708 and 8718: 107 mm x 115.5 mm x 28 mm Types 8708 and 8718 with flanged connection: 107 mm x 115.5 mm x 43 mm

## 6.5. Installation dimensions

LFC Type 8719 and LFM Type 8709:

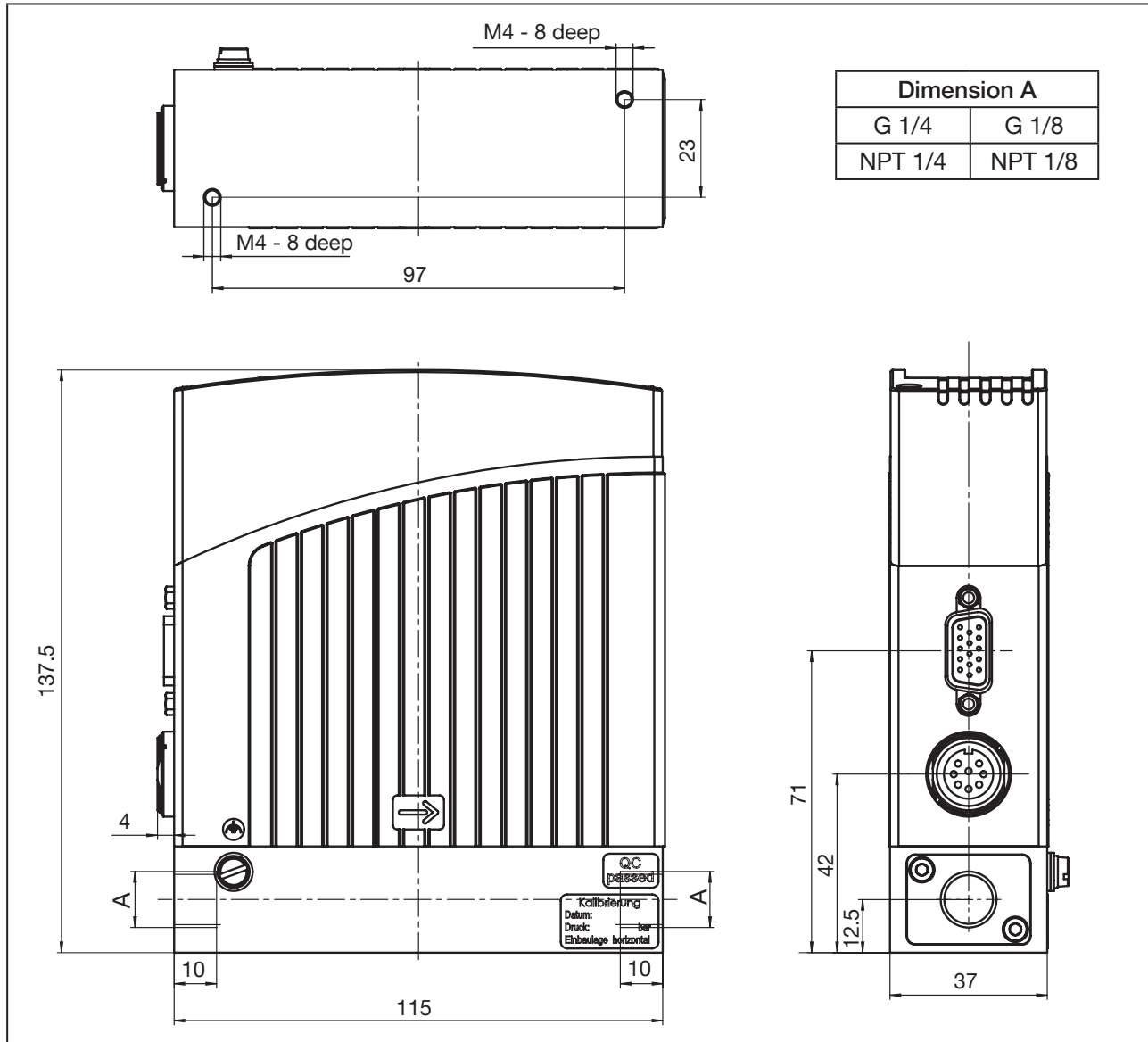


Fig. 4: Installation dimensions LFC Type 8719 and LFM Type 8709

LFC Type 8719 and LFM Type 8709, field bus version:

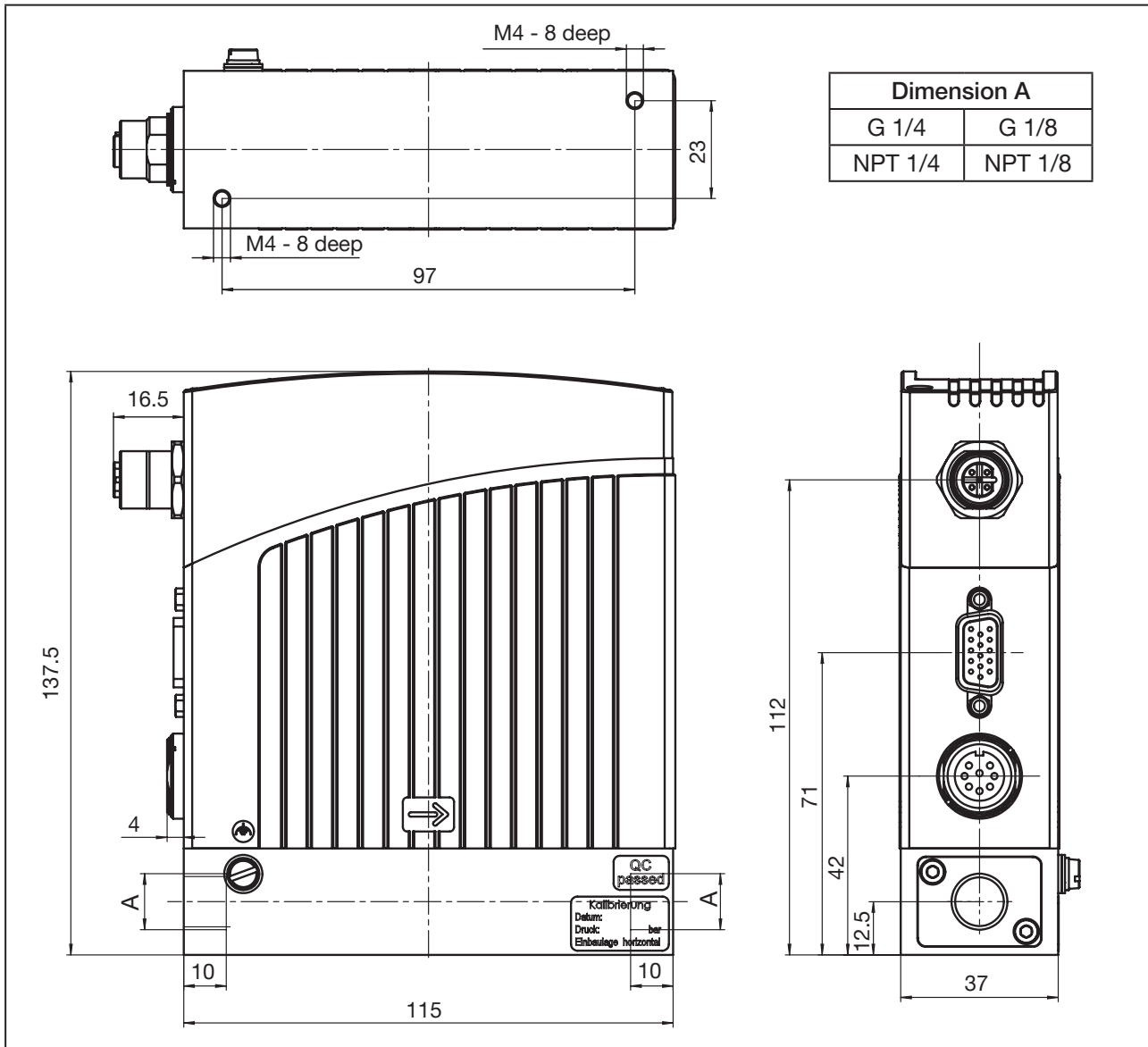


Fig. 5: Installation dimensions LFC Type 8719 and LFM Type 8709, field bus version

LFC Type 8718 and LFM Type 8708:

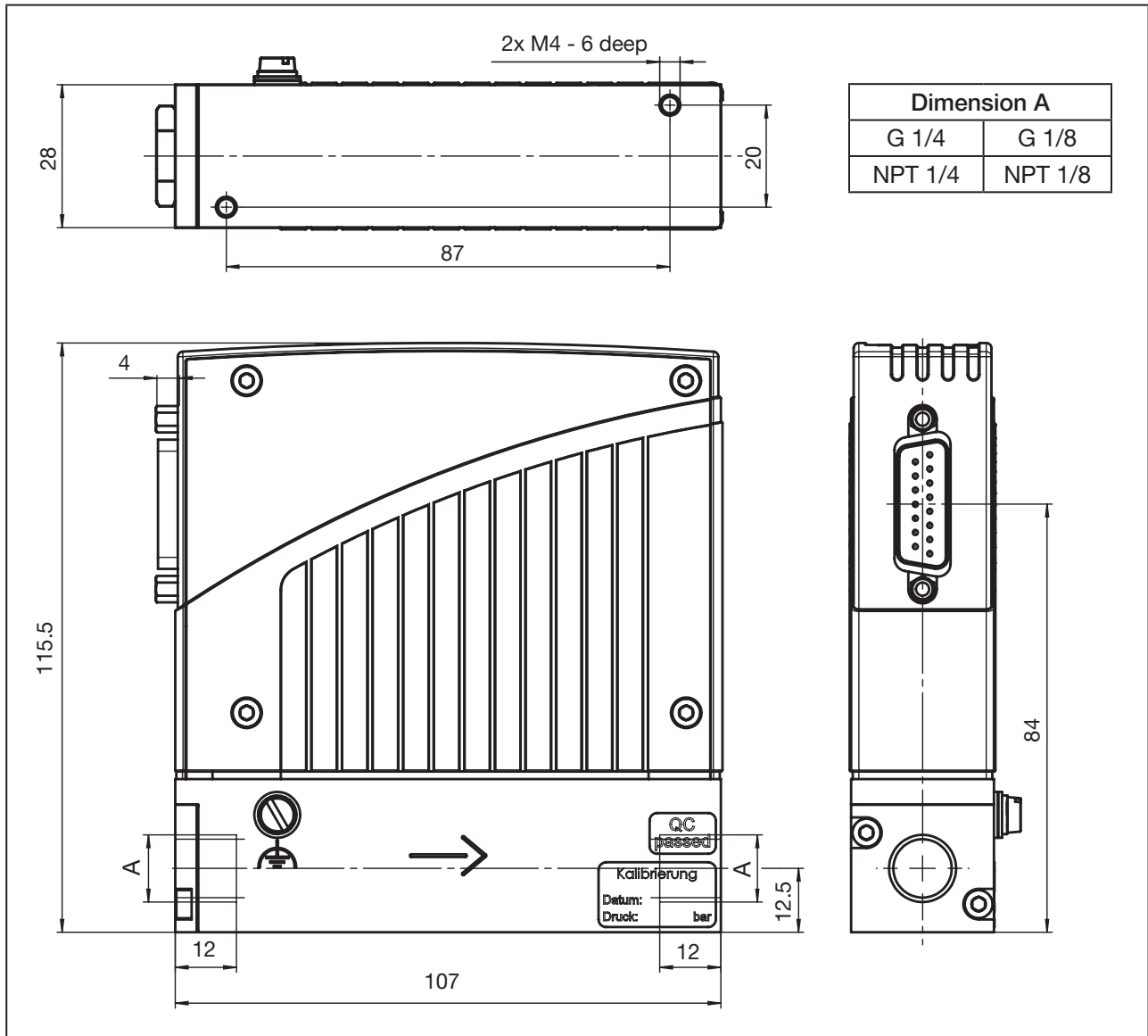


Fig. 6: Installation dimensions LFC Type 8718 and LFM Type 8708

LFC Type 8718 and LFM Type 8708, with flanged connection:

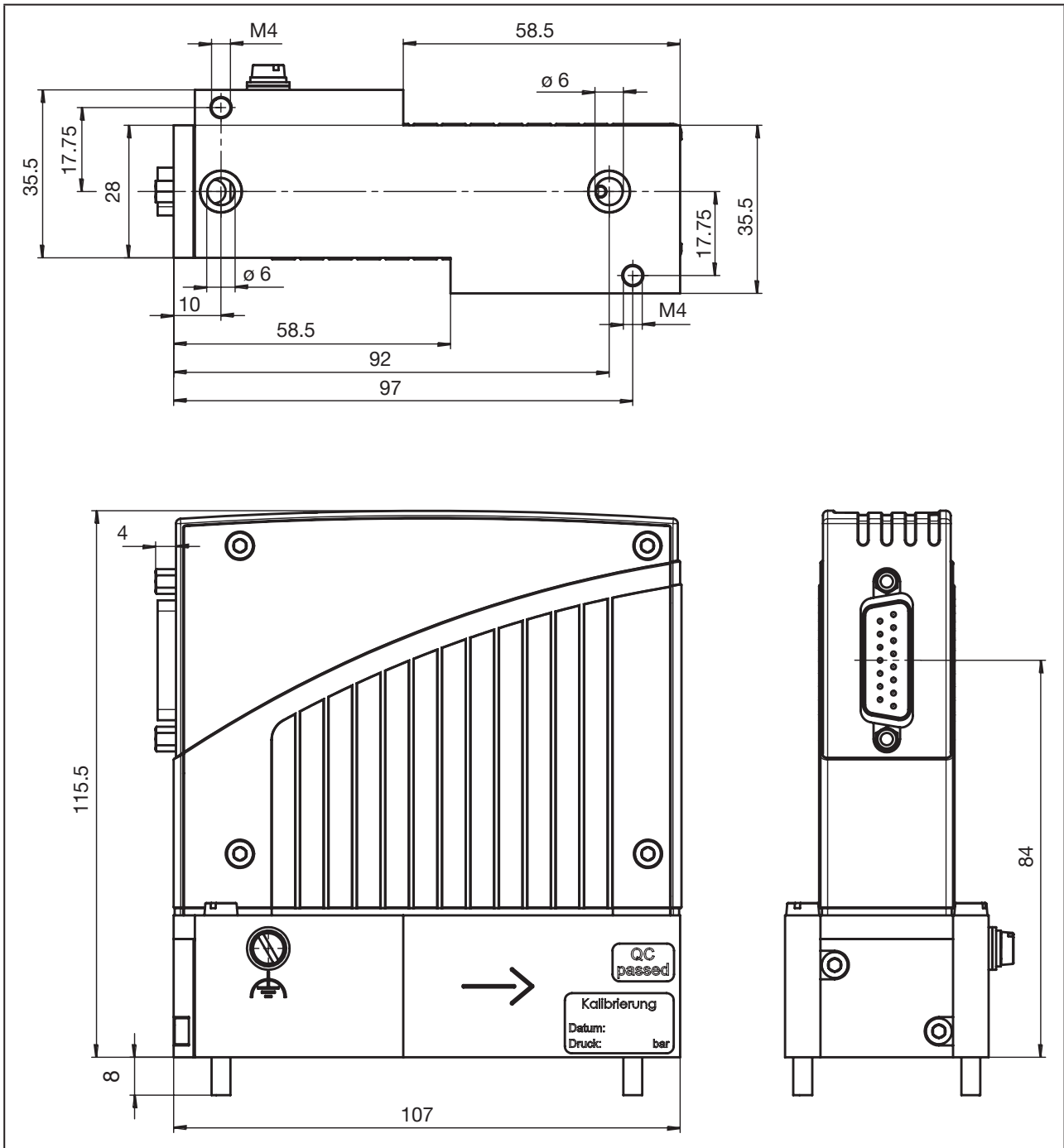


Fig. 7: Installation dimensions LFC Type 8718 and LFM Type 8708, with flanged connection

LFC Type 8718 and LFM Type 8708, field bus version:

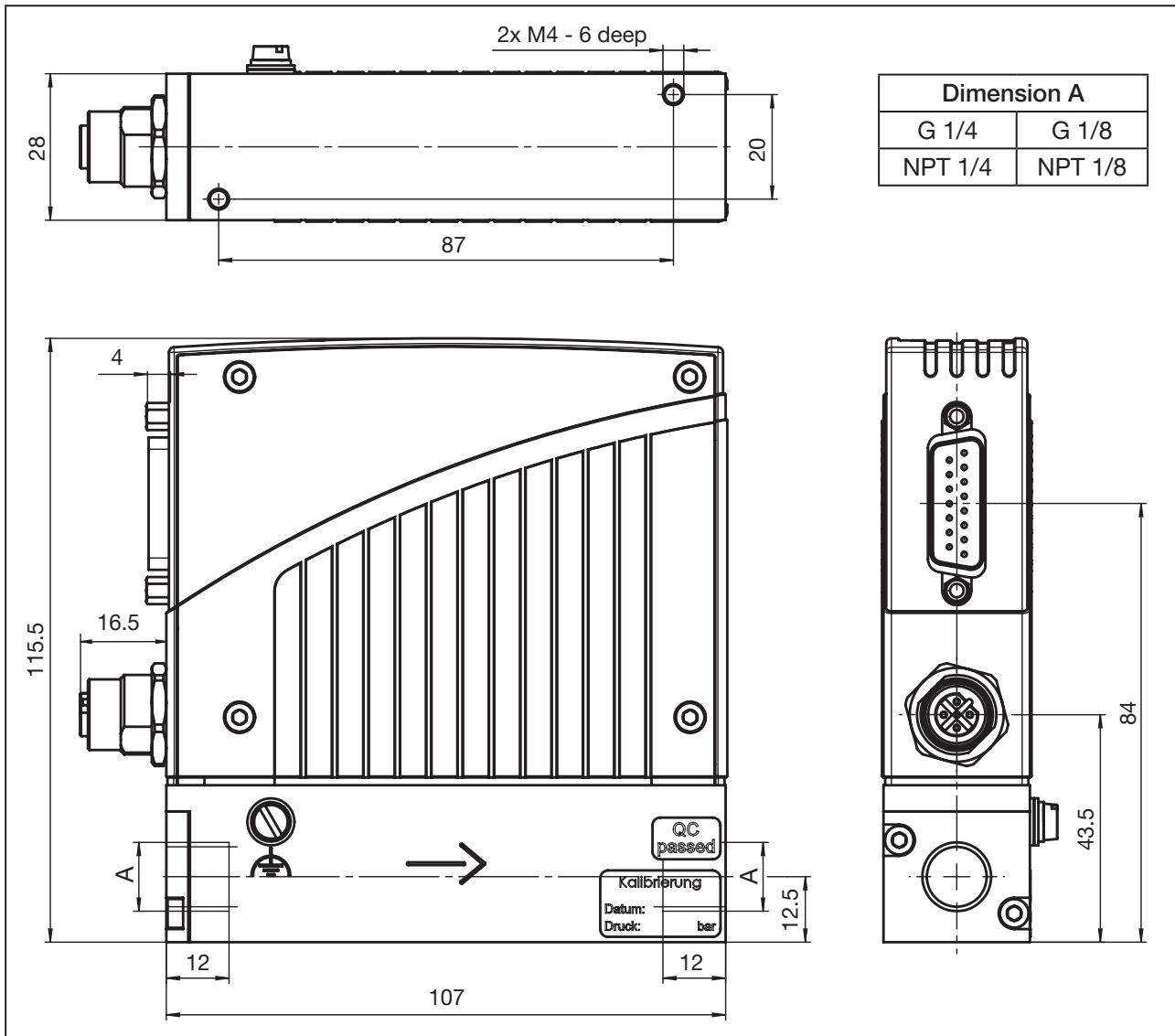


Fig. 8: Installation dimensions LFC Type 8718 and LFM Type 8708, field bus version

LFC Type 8718 and LFM Type 8708, field bus version with flanged connection:

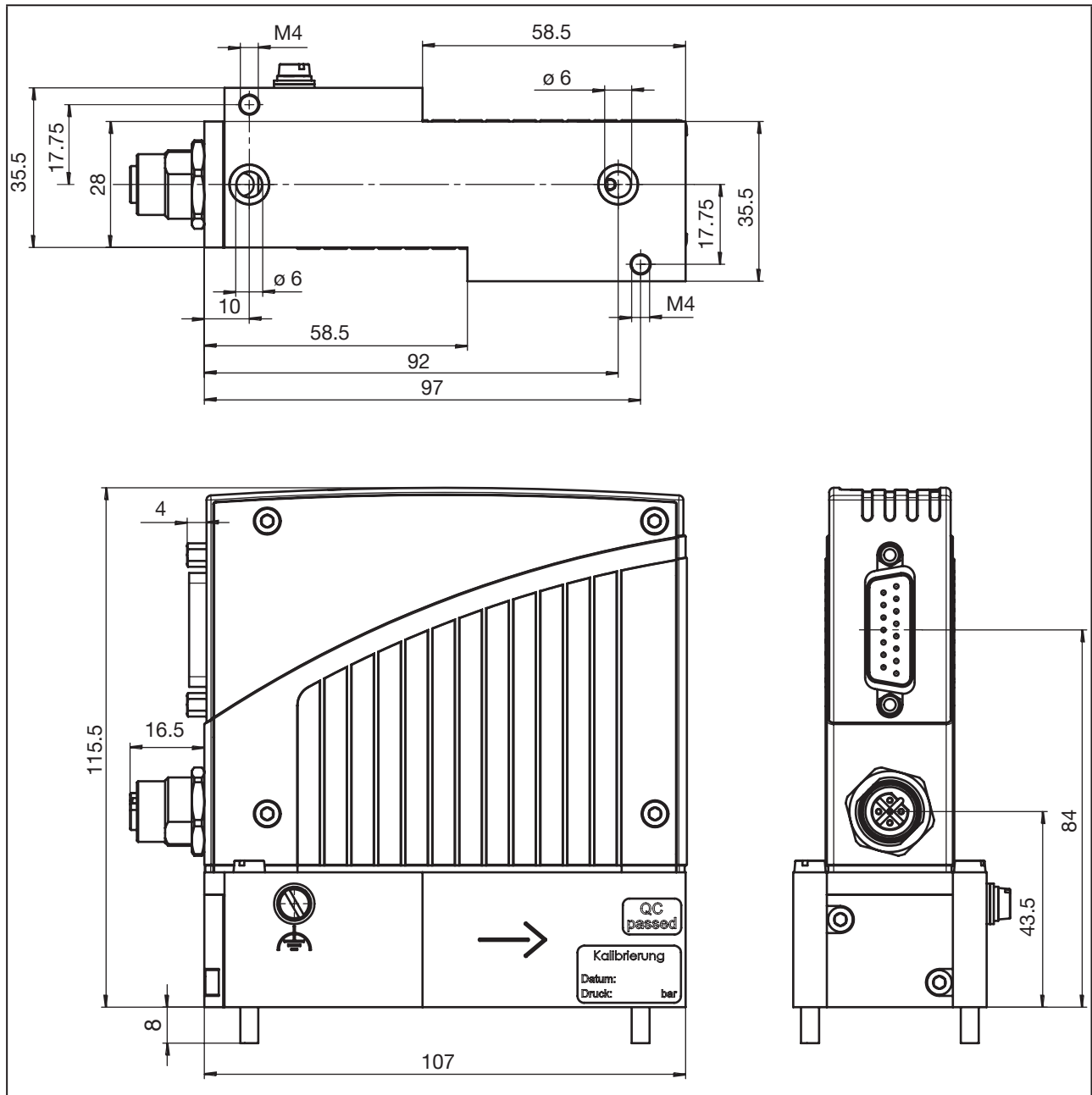


Fig. 9: Installation dimensions LFC Type 8718 and LFM Type 8708, field bus version with flanged connection



## 6.6. Fluidic Data

Final value ( $Q_{nom}$ ):	0.6...36 l/h with regard to water (see rating plate / calibration protocol)
Measuring range / control range:	1 : 10
Measuring precision:	$\pm 1.5$ % o.r. $\pm 0.5$ % f.s. (after 15 min. warming up time)
Reproducibility:	$\pm 0.5$ % f.s.
Correction time ( $t_{95\%}$ ):	< 500 ms
Max. operating pressure:	2 bar <sub>rel</sub> , 6 bar <sub>rel</sub> , 10 bar <sub>rel</sub> , according to version depending on the nominal size of the valve and the sensor measuring range (for more detailed information see calibration protocol)
Calibration fluid:	Operating fluid or water (see calibration protocol)
Port connections:	G1/4 or NPT1/4 8708, 8718: also available as flanged connection

## 6.7. Electrical Data

Power supply:	24 V DC $\pm 10$ % residual ripple < 2 %
Power consumption:	8718 and 8719: max. 7.5 W for field bus version max. 10 W  8708 and 8709: max. 2.5 W for field bus version max max. 5 W
Inputs:	
Set-point value:	Standard signal 0/4...20 mA max. input impedance: 300 $\Omega$ Resolution: 5 $\mu$ A  Standard signal 0...5/10 V min. input impedance: 20 k $\Omega$ Resolution: 2.5 mV
Binary input:	Low-active, for activation connect to DGND (for binary inputs) (assignment can be configured)  8709 and 8719: 3 binary inputs 8708 and 8718: 2 binary inputs

Outputs:

Actual value:	Standard signal 0/4...20 mA max. burden: 600 Ω Resolution: 20 μA
	Standard signal 0...5/10 V max. current: 10 mA Resolution: 10 mV
Binary output:	potential-free changers 60 V, 1 A, 60 VA (assignment can be configured) 8709 and 8719: 2 binary outputs 8708 and 8718: 1 binary output

Display:

Light-emitting diodes:	Status display for Power, Communication, Limit, Error (assignment can be configured)
	8709 and 8719: 4 LEDs 8708 and 8718: 3 LEDs

Field buses:

alternative to the standard signal version  
PROFIBUS DP V1  
CANopen

Electrical connections:

8719 and 8709:  
8-pole round socket  
15-pole Sub-HD socket  
optional: 5-pole M12 socket or plug for field bus

8718 and 8708:  
15-pole Sub-D plug  
optional: 5-pole M12 socket or plug for field bus

## 7. INSTALLATION AND START-UP

### 7.1. Safety instructions



#### **DANGER!**

**Risk of injury from high pressure in the equipment!**

- Before loosening the lines and valves, turn off the pressure and vent the lines.

**Danger from escaping operating fluid!**

If contact is made with the operating fluid and its reaction products, including in vapor form (touching, inhaling), there is an acute risk of injury.

- Observe applicable accident prevention and safety regulations for the operating fluids used.

**Risk of injury due to electrical shock!**

- Before removing covers, switch off the power supply and secure to prevent reactivation!
- Observe applicable accident prevention and safety regulations for electrical equipment!



#### **WARNING!**

**Risk of injury from improper installation or improper start-up!**

- Installation and start-up may be carried out by authorized technicians only and with the appropriate tools!

**Risk of injury from unintentional activation of the system and an uncontrolled restart!**

- Secure system from unintentional activation.
- Following installation, ensure a controlled restart.

### 7.2. Procedures prior to installation

- Before installing the LFC / LFM, remove dirt from the pipes and fluid system components.
- Connect a suitable filter ( $\leq 20 \mu\text{m}$  mesh size) upstream to ensure that the operating fluid is kept clean.

#### **NOTE!**

**During installation observe the following!**

- The mounting position according to calibration plate or calibration protocol.
- The use of a power supply unit with adequate power.
- The maximum permitted residual ripple of the operating voltage.

### 7.3. Sequence of the steps to be performed

Install and start-up the LFC / LFM in the described sequence:

1. Mechanical and fluid installation
2. Electrical installation
3. Apply pressure with operating fluid
4. Flush and completely deaerate the lines with operating fluid at calibration pressure
5. Regular operating mode

### 7.4. Fluid Installation



#### **DANGER!**

Risk of injury from high pressure in the equipment!

- Before loosening the lines and valves, turn off the pressure and vent the lines.

Select the available fluid connections suitable for the maximum flow-rate. Inlet paths are not required.  
If required, the devices can also be supplied with fitted fluid connections.



#### **WARNING!**

Danger from leaks!

If flow-rates are low and pressures high, ensure that the system is sealed to prevent incorrect metering or the operating fluid from leaking.

- To ensure that the seal is secure, observe the mode of operation described below.

To seal the system properly, install the clamping ring screw joints as follows:

- Fit pipe connections tension-free (if required, use compensators).
- Use pipe with suitable diameter and smooth surface.
- Saw the pipe straight and deburr.
- First push the union, then the support ring (if available) and finally the clamping ring in the stated sequence onto the pipe.
- Insert the pipe all the way into the screw joint.
- Tighten union by hand.
- Counter with a wrench on the screw-in side (do not put pressure on the device housing) and tighten 1 ¼ revolutions.

**NOTE!**

During prolonged operating pauses, drain the fluid out of the LFC / LFM and flush with compressed air. To do this, the device must be actuated so that the valve is open.

- Ensure that the calibration pressure of the device is not exceeded.

Too high a pressure within the LFC / LFM will cause irreparable damage to the device.

## 7.5. Electrical Installation

**DANGER!**

**Risk of injury due to electrical shock!**

- Before removing covers, switch off the power supply and secure to prevent reactivation!
- Observe applicable accident prevention and safety regulations for electrical equipment!

**WARNING!**

**Risk of fire and ignition due to electrostatic discharge!**

If the device is electrostatically charged, highly flammable fluid vapors may ignite if a discharge occurs.

- To prevent an electrostatic charge, connect the housing to the function earth (FE) via the shortest possible cable length (cross-section as large as possible).

**Danger from electromagnetic fields!**

If the FE connection is not connected, the conditions of the EMC Law are not being satisfied!

- Connect the housing to the function earth (FE) via the shortest possible cable length (cross-section as large as possible).

**NOTE!**

**Important information for the problem-free functioning of the device:**

The GND or earth cables for all signals of the LFC / LFM must always be fed separately to the LFC / LFM. If all GND signals are bridged directly on the LFC / LFM and only one common cable is fed to the control, signal displacements and interference of the analogue signals may occur.

→ Connect the function earth (FE) to the indicated screw, e.g. with the aid of a ring tongue.

### 7.5.1. Setting the bus address on devices without rotary switch for setting the address

The bus address of the devices can be set either via the Bürkert configuration tool “Mass Flow Communicator” in "Views" → PROFIBUS / CANopen or directly via the bus master.

When an address has been changed, it must be re-initialised on the slave and on the master. In doing so, it is necessary, depending on the bus, to send a corresponding telegram.



**Recommendation:**

To ensure a trouble-free setting, the device should be reset. (Disconnect the device from the power supply).

### 7.5.2. Setting the bus address on devices with rotary switch for setting the address (Types 8718 / 8708)

When the device is switched on, the address set with the rotary switches is accepted as a slave address.

Valid addresses are: • PROFIBUS 0...126  
• CANopen 1...127

If the address was set outside the permitted range, the address setting has the validity as described in chapter 7.5.1.

LSB Unit position (x 1)	Unit position	Digit times 1	
	0 - 9	→	0 - 9

MSB Tens position (x 10)	Tens position	Digit times 10	
	0...9	→	0...90
	A	→	100
	B	→	110
	C	→	120
	D	→	130
	E	→	140
	F	→	150

The address is composed of LSB + MSB

Example:

Address	MSB setting	LSB setting
1	0	1
63	6	3
100	A	0
127	C	7

Fig. 10: Setting the bus address on devices with rotary switch (Types 8718 / 8708)



If an address setting is required using the available rotary switches via the bus master, this can be implemented by setting an address outside the valid range.

A change to the bus address via the rotary switches does not become effective until the device is restarted.

### 7.5.3. Pin assignment

#### Pin assignment LFC Type 8719 and LFM Type 8709

	<b>8-pole round socket</b>		<table border="1"> <thead> <tr> <th>Pin</th> <th>Configuration</th> </tr> </thead> <tbody> <tr><td>1</td><td>24 V – supply +</td></tr> <tr><td>2</td><td>Relay 1 – center contact</td></tr> <tr><td>3</td><td>Relay 2 – center contact</td></tr> <tr><td>4</td><td>Relay 1 – normally closed contact</td></tr> <tr><td>5</td><td>Relay 1 – normally open contact</td></tr> <tr><td>6</td><td>24 V – supply GND</td></tr> <tr><td>7</td><td>Relay 2 – normally open contact</td></tr> <tr><td>8</td><td>Relay 2 – normally closed contact</td></tr> </tbody> </table>	Pin	Configuration	1	24 V – supply +	2	Relay 1 – center contact	3	Relay 2 – center contact	4	Relay 1 – normally closed contact	5	Relay 1 – normally open contact	6	24 V – supply GND	7	Relay 2 – normally open contact	8	Relay 2 – normally closed contact													
	Pin	Configuration																																
	1	24 V – supply +																																
2	Relay 1 – center contact																																	
3	Relay 2 – center contact																																	
4	Relay 1 – normally closed contact																																	
5	Relay 1 – normally open contact																																	
6	24 V – supply GND																																	
7	Relay 2 – normally open contact																																	
8	Relay 2 – normally closed contact																																	
<b>LFC Type 8719: Socket SUB-HD 15-pole</b>		<table border="1"> <thead> <tr> <th>Pin</th> <th>Configuration</th> </tr> </thead> <tbody> <tr><td>1<sup>1)</sup></td><td>Set-point value input +</td></tr> <tr><td>2<sup>1)</sup></td><td>Set-point value input GND</td></tr> <tr><td>3<sup>1)</sup></td><td>Actual value output +</td></tr> <tr><td>4</td><td>Binary input 2</td></tr> <tr><td>5</td><td>12 V output (for internal use only)</td></tr> <tr><td>6</td><td>RS232 T x D (direct connection to PC)</td></tr> <tr><td>7</td><td>Binary input 1</td></tr> <tr><td>8</td><td>DGND (for binary inputs)</td></tr> <tr><td>9</td><td>for internal use only (do not use!)</td></tr> <tr><td>10</td><td>12 V output (for internal use only)</td></tr> <tr><td>11</td><td>12 V output (for internal use only)</td></tr> <tr><td>12</td><td>Binary input 3</td></tr> <tr><td>13<sup>1)</sup></td><td>Actual value output GND</td></tr> <tr><td>14</td><td>RS232 R x D (direct connection to PC)</td></tr> <tr><td>15</td><td>DGND (for RS232 interface)</td></tr> </tbody> </table>	Pin	Configuration	1 <sup>1)</sup>	Set-point value input +	2 <sup>1)</sup>	Set-point value input GND	3 <sup>1)</sup>	Actual value output +	4	Binary input 2	5	12 V output (for internal use only)	6	RS232 T x D (direct connection to PC)	7	Binary input 1	8	DGND (for binary inputs)	9	for internal use only (do not use!)	10	12 V output (for internal use only)	11	12 V output (for internal use only)	12	Binary input 3	13 <sup>1)</sup>	Actual value output GND	14	RS232 R x D (direct connection to PC)	15	DGND (for RS232 interface)
Pin	Configuration																																	
1 <sup>1)</sup>	Set-point value input +																																	
2 <sup>1)</sup>	Set-point value input GND																																	
3 <sup>1)</sup>	Actual value output +																																	
4	Binary input 2																																	
5	12 V output (for internal use only)																																	
6	RS232 T x D (direct connection to PC)																																	
7	Binary input 1																																	
8	DGND (for binary inputs)																																	
9	for internal use only (do not use!)																																	
10	12 V output (for internal use only)																																	
11	12 V output (for internal use only)																																	
12	Binary input 3																																	
13 <sup>1)</sup>	Actual value output GND																																	
14	RS232 R x D (direct connection to PC)																																	
15	DGND (for RS232 interface)																																	
<b>LFM Type 8709: Socket SUB-HD 15-pole</b>		<table border="1"> <thead> <tr> <th>Pin</th> <th>Configuration</th> </tr> </thead> <tbody> <tr><td>1</td><td>not used</td></tr> <tr><td>2</td><td>not used</td></tr> <tr><td>3<sup>1)</sup></td><td>Actual value output +</td></tr> <tr><td>4</td><td>Binary input 2</td></tr> <tr><td>5</td><td>12 V output (for internal use only)</td></tr> <tr><td>6</td><td>RS232 T x D (direct connection to PC)</td></tr> <tr><td>7</td><td>Binary input 1</td></tr> <tr><td>8</td><td>DGND (for binary inputs)</td></tr> <tr><td>9</td><td>for internal use only (do not use!)</td></tr> <tr><td>10</td><td>12 V output (for internal use only)</td></tr> <tr><td>11</td><td>12 V output (for internal use only)</td></tr> <tr><td>12</td><td>Binary input 3</td></tr> <tr><td>13<sup>1)</sup></td><td>Actual value output GND</td></tr> <tr><td>14</td><td>RS232 R x D (direct connection to PC)</td></tr> <tr><td>15</td><td>DGND (for RS232 interface)</td></tr> </tbody> </table>	Pin	Configuration	1	not used	2	not used	3 <sup>1)</sup>	Actual value output +	4	Binary input 2	5	12 V output (for internal use only)	6	RS232 T x D (direct connection to PC)	7	Binary input 1	8	DGND (for binary inputs)	9	for internal use only (do not use!)	10	12 V output (for internal use only)	11	12 V output (for internal use only)	12	Binary input 3	13 <sup>1)</sup>	Actual value output GND	14	RS232 R x D (direct connection to PC)	15	DGND (for RS232 interface)
Pin	Configuration																																	
1	not used																																	
2	not used																																	
3 <sup>1)</sup>	Actual value output +																																	
4	Binary input 2																																	
5	12 V output (for internal use only)																																	
6	RS232 T x D (direct connection to PC)																																	
7	Binary input 1																																	
8	DGND (for binary inputs)																																	
9	for internal use only (do not use!)																																	
10	12 V output (for internal use only)																																	
11	12 V output (for internal use only)																																	
12	Binary input 3																																	
13 <sup>1)</sup>	Actual value output GND																																	
14	RS232 R x D (direct connection to PC)																																	
15	DGND (for RS232 interface)																																	

Table 1: Pin assignment LFC Type 8719 and LFM Type 8709

<sup>1)</sup> In the field bus version the connections 1, 2, 3 and 13 are not used.

Pin assignment LFC Type 8718 and LFM Type 8708

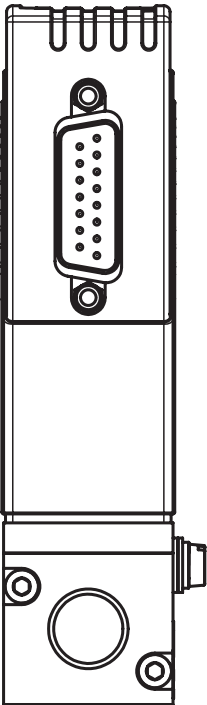
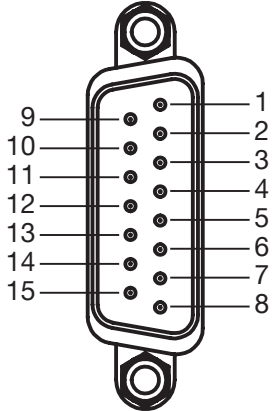
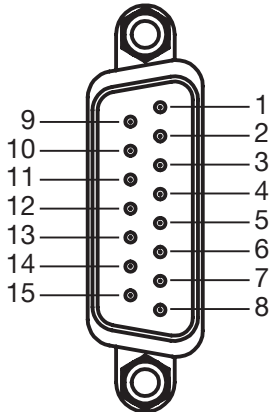
	<b>LFC Type 8718: Plug SUB-D 15-pole</b>	<b>Pin</b>	<b>Configuration</b>
		1 2 3 4 5 6 7 8 9 10 11 12 13 14 15	1 Relay – Normally closed contact 2 Relay – Normally open contact 3 Relay – Centre contact 4 GND for 24 V supply and binary inputs 5 24 V – supply + 6 8 V output (for internal use only) 7 <sup>2)</sup> Set-point value input GND 8 <sup>2)</sup> Set-point value input + 9 <sup>2)</sup> Actual value output GND 10 <sup>2)</sup> Actual value output + 11 DGND (for RS232) 12 Binary input 1 13 Binary input 2 14 RS232 R x D (without driver) 15 RS232 T x D (without driver)
	<b>LFM Type 8708: Plug SUB-D 15-pole</b>	<b>Pin</b>	<b>Configuration</b>
		1 2 3 4 5 6 7 8 9 10 11 12 13 14 15	1 Relay – Normally closed contact 2 Relay – Normally open contact 3 Relay – Centre contact 4 GND for 24 V supply and binary inputs 5 24 V – supply + 6 8 V output (for internal use only) 7 not used 8 not used 9 <sup>2)</sup> Actual value output GND 10 <sup>2)</sup> Actual value output + 11 DGND (for RS232) 12 Binary input 1 13 Binary input 2 14 RS232 R x D (without driver) 15 RS232 T x D (without driver)

Table 2: Pin assignment LFC Type 8718 and LFM Type 8708

<sup>2)</sup> In the field bus version the connections 7...10 are not used.



Pin assignment of field bus LFC Types 8718, 8719 and LFM Types 8708, 8709

PROFIBUS DP Socket M12, B-coded (DP V1 max. 12 Mbaud)	Pin	Configuration
	1	VDD
	2	R x D / T x D - N (A cable)
	3	DGND
	4	R x D / T x D - N (B cable)
	5	not used
CANopen M12 plug	Pin	Configuration
	1	Shielding
	2	not used
	3	DGND
	4	CAN_H
	5	CAN_L

Table 3: Pin assignment of field bus LFC Types 8718, 8719 / LFM Types 8708, 8709

## 8. OPERATION AND FUNCTION

### 8.1. Safety instructions



#### **WARNING!**

**Risk of injury from improper operation!**

Improper operation may result in injuries as well as damage to the device and the area around it.

- The operating personnel must know and have understood the contents of the operating instructions.
- Observe the safety instructions and intended use.
- Only adequately trained personnel may operate the equipment/the device.

### 8.2. Operation of the LFC / LFM

The LFC / LFM is operated by means of analogue standard signals or field bus communication as well as binary inputs. For operating and status displays 3 or 4 LEDs are also used as binary outputs.

There is also a serial interface (RS232) via which a connection to a PC can be established, e.g. using the “Mass Flow Communicator” software.



#### • **Selecting the standard signals / Assigning the binary inputs**

The required configuration of the standard signal type as well as the assignment of the binary inputs can be specified on order placement or can be configured via the “Mass Flow Communicator” software (see also chapter 10.1.3. *Mass Flow Communicator (PC software)*).

#### • **LED assignment / Assigning binary outputs**

The LED assignment (except the Power and the Error LED) as well as the assignment of the binary outputs can also be configured via the “Mass Flow Communicator” PC software (see also chapter 10.1.3. *Mass Flow Communicator (PC software)*).

## 8.2.1. LEDs

3 or 4 LEDs are used for operating and status displays.

Standard assignment of the LEDs:		
LED status		Description
Power (green)	lit	The device is connected to the power supply.
	flashing	Autotune function is active.
Communication (yellow <sup>3)</sup> )	lit	The device communicates via the field bus or the serial interface (RS232).
Limit (y) (blue <sup>4)</sup> )	lit	LFC: Indicates that the actuating variable of the proportional valve has almost reached 100 %. In practice this usually means that the pressure on the controller is not adequate to reach the required flow-rate.  LFM: Indicates that the actual value has almost reached the nominal flow-rate.
	flashing	The device is in an operating state other than controlled operation or the Autotune function.
Error (red)	lit	Not a serious fault, e.g. Autotune function not concluded successfully.
	flashing	Serious fault, e.g. sensor break, defective internal power supply voltage or too high operating pressure.
<sup>3)</sup> not available for analogue version of 8708 / 8718		
<sup>4)</sup> not available for bus version of 8708 / 8718		

Table 4: Standard assignment of the LEDs

## 8.2.2. Inputs/Outputs

### Set-point value input (analogue version LFC only)

The set-point value input is used to specify the analogue flow-rate by means of a standard signal.

### Actual value output (analogue version LFC / LFM only)

The actual value output, uses a standard signal to represent the current flow-rate.

### Bus connection (field bus version LFC / LFM only)

Set-point and actual values are received or signalled back in digital form via the field bus.

It is possible to select between PROFIBUS DP and CANopen connection (see supplement to the operating instructions for field bus devices).

## Binary inputs

If the binary inputs are activated, different operations can be run on the LFC / LFM, and the latter can be switched to a specific operating mode. Activation occurs by connecting the particular binary input to DGND for at least 0.5 s (for binary inputs).

Possible binary input functions	
Function	Description
Actuate Autotune	Start of Autotune function for optimization of the control parameters to the conditions available in the system, description see chapter 8.3. <i>Functions of the LFC / LFM.</i>
Switch to characteristic 2	The calibration curve saved under Gas 2 as well as using all parameters entered there.
Reset totalizer	The integrated totalizer (quantity integrator) is reset to 0.
Start set-point value profile	Start of the saved set-point value profile, description see chapter 8.3. <i>Functions of the LFC / LFM.</i>
Control mode	Switch to control mode for the systematic opening of the integrated proportional valve, description see chapter 8.3. <i>Functions of the LFC / LFM.</i>
Correct safety value <sup>5)</sup>	Correct the safety value stored in the device as a flow-rate set-point value. The flow-rate set-point value applied analogically or transmitted by the field bus is ignored in this case.
Close valve completely <sup>5)</sup>	Valve closed completely. The flow-rate set-point value is ignored in this case.
Open valve completely <sup>5)</sup>	Valve opened completely. The flow-rate set-point value is ignored in this case.
<sup>5)</sup> The operating principle of the binary input (active / inactive) can be selected for these functions	

Table 5: Binary input functions

Standard assignment of the binary inputs:	
Input	Configuration
Binary input 1	LFC: Actuate Autotune LFM: unused
Binary input 2	LFC: Open valve completely LFM: unused
Binary input 3 <sup>6)</sup>	unused
<sup>6)</sup> not available for 8718 / 8708	

Table 6: Standard assignment of the binary inputs

## Binary outputs

The LFC / LFM feature binary outputs to indicate operating states, and limit values which exceed maximum/drop below minimum or faults.

Possible binary output functions	
Function	Description
unused	No function is assigned to the binary output.
Power on	The power supply is on.
Autotune active	The Autotune function is active.
Gas 1 or 2 active	The calibration curve 1 or 2 is currently selected.
User-defined calibration active	The device operates at the calibration adjusted by customer.
Binary input 1, 2 or 3 active	Binary input 1, 2 or 3 is set.
Activate binary output by field bus	The status of the binary outputs is specified via the field bus or the serial interface.
Correct safety value active	The set safety value has been corrected.
Set-point value profile active	The set-point value profile stored in the device has been corrected.
Control mode active	The control mode is active, i.e. the specified set-point value is outputted directly as an actuating variable of the proportional valve.
Close valve completely active	The close valve completely function is activated.
Open valve completely active	The open valve completely function is activated.
Defective power requirement	The power requirement of the device is monitored. If this value is outside defined limits, this function is actuated. A too high or too low power requirement, may for example, indicate a defective device.
Defective internal power supply	The operating voltage of the device is monitored. If the defined limits exceed the maximum or drop below the minimum, this function is actuated.
Defective power supply of the sensor	The power supply voltage of the sensor is monitored. If the defined limits exceed the maximum or drop below the minimum, this function is actuated.
Defective data storage	If data storage is in the non-volatile memory of the device, a fault has occurred.
Sensor fault	The device is able to detect a defective sensor via a self-test. If this is the case, this function is activated.
MFI fault	The field bus module (MFI) is defective or incorrectly equipped. Field bus communication is not possible.
x limit	The actual value has exceeded or dropped below a freely adjustable limit value.
w limit	The set-point value has exceeded or dropped below a freely adjustable limit value.
y2 limit	The actuating variable has exceeded or dropped below a freely adjustable limit value.
Totalizer limit	The totalizer has exceeded or dropped below a freely adjustable limit value.

Table 7: Binary output functions

Standard assignment of the binary outputs:	
Output	Configuration
Binary output 1	Limit (y)
Binary output 2 <sup>7)</sup>	Error (for serious fault, e.g. sensor break or defective internal power supply)
<sup>7)</sup> not available for 8718 / 8708	

Table 8: Standard assignment of the binary outputs

### 8.3. Functions of the LFC / LFM

The LFC / LFM can adopt different operating states:

Overview of operating states			
Operating state	can be interrupted or ended by	Display on LEDs for standard setting	Attainment of operating state via binary input (if configurable)
Standard control mode	<ul style="list-style-type: none"> <li>• Autotune function</li> <li>• Safety function</li> <li>• Set-point value profile</li> <li>• Control mode</li> </ul>	Power LED (green) is lit	-
Autotune function	<ul style="list-style-type: none"> <li>• Safety function</li> <li>• Device reset</li> </ul>	Power LED (green) flashes	Activation for at least 0.5 s when binary input active (permanent input activation leads to a function restart)
Safety function	-	Limit LED (blue) flashes	As long as active
Set-point value profile	<ul style="list-style-type: none"> <li>• Autotune function</li> <li>• Safety function</li> <li>• Device reset</li> </ul>	Limit LED (blue) flashes	Activation for at least 0.5 s when binary input active (permanent input activation leads to a function restart)
Control mode	<ul style="list-style-type: none"> <li>• Autotune function</li> <li>• Safety function</li> <li>• Device reset</li> </ul>	Limit LED (blue) flashes	As long as active

Table 9: Operating states

### 8.3.1. Standard control mode

The LFC / LFM is in this operating state immediately after the device is switched on, after a brief initialisation phase. The green Power LED is lit.

The flow-rate is corrected for the LFC to the specified set-point value at a high dynamic. Malfunctions, e.g. due to pressure changes, are quickly counterbalanced by a corresponding adjustment of the proportional valve position.

The set-point value is specified in this operating state depending on the device version via the analogue input (standard signal input) or the field bus.

The controller parameters are set in such a way that set-point value changes or actuating variables are corrected as quickly as possible without appreciable overshoot occurring.

The actual flow-rate value can be read depending on the device version via the analogue output (standard signal output) or the field bus.



Please note!

If the blue limit (y) LED lights up, this means

- for the LFC

the control signal of the proportional valve is approaching the 100 % limit.

The cause is usually

- a too low pressure difference via the LFC, e.g. due to an inadequate pressure supply or

- a heavily soiled filter.

This may cause the specified set-point value not to be reached and result in a permanent positive control deviation ( $w - x$ ).

- for the LFM

the current flow-rate is approaching the nominal flow-rate or has exceeded it.

If the nominal flow-rate is greatly exceeded, this may cause the output flow-rate to deviate from the actual flow-rate.

To give an external response to the deviations, a binary output is switched.

### 8.3.2. Autotune function

A prerequisite for the automatic adjustment of the controller, to the conditions of the system, is that typical pressure conditions prevail.

→ Activate the Autotune function by briefly actuating (> 0.5 s) the binary input 1.

The Autotune function runs automatically.

While the Autotune function is running, the green Power LED flashes.



#### WARNING!

While the Autotune function is running, note the following:

Different flow-rate changes occur.

- The power supply of the LFC must not be switched off.
- The supply pressure should be kept constant.

While the Autotune function is running, the LFC is not controlling.

The proportional valve is controlled according to an internally specified profile, resulting in flow-rate changes. Thereby several control parameters are adjusted to the conditions present in the system.

These parameters are transferred into the non-volatile memory of the device at the end of a successfully run Autotune function.

When the Autotune function ends, the LFC returns to the previous operating state.



Each LFC has run through the Autotune function during the final inspection in the factory, at the operating pressure indicated in the calibration protocol and with the calibration fluid.

Therefore, the re-actuation of this function is not essential for a reliable controlled operation in the system.

However, the Autotune function should be activated if

- the pressure conditions in the system have changed significantly.
- the calibration fluid does not correspond with the operating fluid.

### 8.3.3. Safety function

This function can be activated or reset depending on the device configuration via a binary input or field bus.

In this operating state the device behaves as in standard control mode. However, an external set-point value is ignored and a defined safety value (standard setting: 0 %, can be changed with “Mass Flow Communicator” PC software) is used as the set-point value.

### 8.3.4. Set-point value profile

This function can be activated or reset depending on the device configuration via a binary input or field bus.

In this operating state the device behaves as in the standard control mode. However, the external set-point value is ignored and a previously defined chronology of up to 30 flow-rate values is used as the set-point value (can be configured with “Mass Flow Communicator” PC software).

When the set-point value profile has run through, the device drops back to the previous operating state, provided this operating state was reset by a binary input during activation.

### 8.3.5. Control mode

This function can be activated or reset depending on the device configuration via a binary input or field bus (can be configured with “Mass Flow Communicator” PC software).

In this operating state the set-point value is used as the output variable for the valve pulse-duty factor of the proportional valve, e.g. set-point value 10 % → Valve pulse-duty factor = 10 %.



## 9. MAINTENANCE, TROUBLESHOOTING

### 9.1. Safety instructions



#### **DANGER!**

Risk of injury from high pressure in the equipment!

- Before loosening the lines and valves, turn off the pressure and vent the lines.

Risk of injury due to electrical shock!

- Before removing covers, switch off the power supply and secure to prevent reactivation!
- Observe applicable accident prevention and safety regulations for electrical equipment!



#### **WARNING!**

Risk of injury from improper maintenance!

- Maintenance may be carried out by authorized technicians only and with the appropriate tools!

Risk of injury from unintentional activation of the system and an uncontrolled restart!

- Secure system from unintentional activation.
- Following maintenance, ensure a controlled restart.

### 9.2. Maintenance Work

The LFC / LFM is maintenance-free during operation, according to the information indicated in this manual. A routine recalibration is not required.



#### **CAUTION!**

Risk of injury from function impairment and device failure if the device is opened!

Inside the device are elements to condition the flow and measure the flow-rate. It is permitted to enter the device, for example for cleaning, only as described in chapter 9.2.1.

Extensive device intervention causes a change to the sensor signal, requiring a recalibration at the factory.

- Do not open the device.
- Cleaning other than that described in chapter 9.2.1 and recalibration may be performed by the manufacturer only.

### 9.2.1. Maintenance when operating with highly soiled fluids

If larger quantities of particles were recorded after prolonged operation with soiled fluid, the stainless steel mesh filter disc can be cleaned or replaced and the orifice pipe can be cleaned.

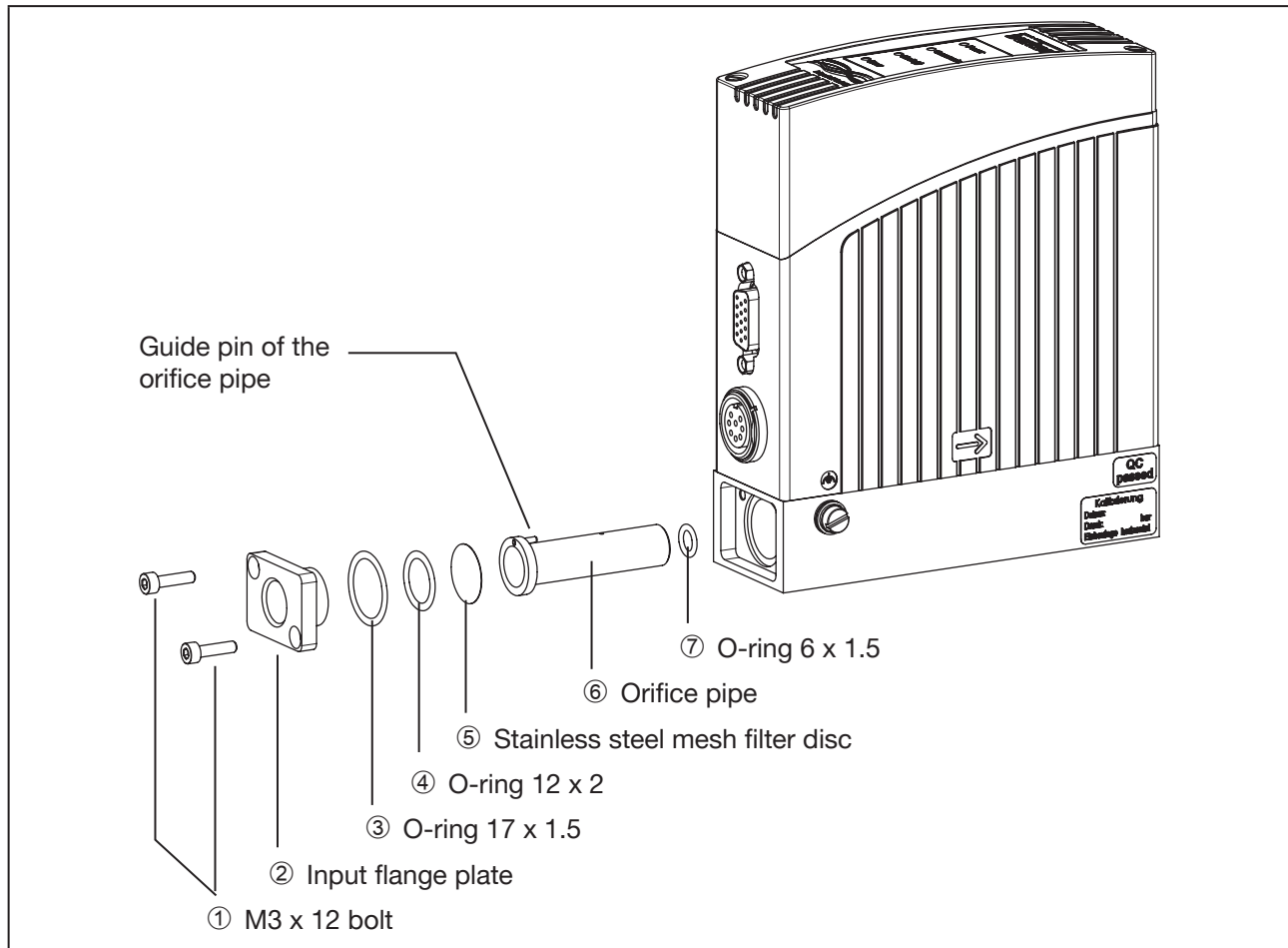


Fig. 11: Maintenance, Cleaning

#### Procedure:

- To gain access to the stainless steel mesh filter disc, detach the input flange plate ② (see Fig. 11: Maintenance, Cleaning).
- Take out stainless steel mesh filter disc and orifice pipe.
- Clean stainless steel mesh filter disc / orifice pipe.  
There are various types of suitable cleaning agents, e.g. distilled water (not tap water), acetone, isopropanol or compressed air.
- After cleaning, the parts must dry.
- Re-insert parts in the correct sequence and position (see Fig. 11: Maintenance, Cleaning).
  - The orifice pipe ⑥ must be inserted in such a way that the guide pin of the pipe is inserted into the corresponding bore in the base block.
  - When inserted, the fine mesh of the stainless steel mesh filter disc ⑤ must face the input flange plate ②.

### 9.2.2. Cleaning and recalibration at the factory

If the orifice is excessively soiled or damaged, the device may deviate significantly from the flow-rate. It must then be replaced and recalibrated at the factory.

#### NOTE!

**Important information for the problem-free functioning of the device!**

A recalibration should be carried out at the factory only, as very precise flow-rate standards and digital communication are required.

### 9.3. Malfunctions

Problem	Possible cause	Remedial action
Power LED is not lit	No power supply.	Check the electrical connections.
Power LED flashes	The Autotune function is active.	See chapter 8.3. <i>Functions of the LFC / LFM.</i>
Power LED goes out periodically	The power supply collapses periodically – The device implements a reset.	Select power supply with adequate power.
	The losses in the connection cable are too high.	Increase cable cross-section. Reduce line length.
Limit (y) LED is lit	LFC: the actuating variable of the valve has (almost) reached 100 %. The set-point value cannot be corrected.	Increase operating pressure (observe maximum permitted supply pressure). Check line resistance and if required reduce. Check equipment design. Check the filter installed in the line and if required clean.
	LFM: the actual flow-rate value has (almost) reached or exceeded the nominal flow-rate.	Reduce flow-rate.
Limit (y) LED flashes	The device is in an operating state other than standard controlled operation or the Autotune function.	See chapter 8.3. <i>Functions of the LFC / LFM.</i>
Error LED is lit	This is not a serious fault, e.g. the last Autotune function was not concluded successfully.	Repeat Autotune function or remove the fault by performing a reset.

Problem	Possible cause	Remedial action
Error LED flashes	The residual ripple of the power supply voltage is too high.	Use a power supply with a smooth output voltage at the required power.
	A serious fault has occurred, e.g. broken sensor or fault in the internal power supply.	Return device to the manufacturer to have the fault repaired.
	The sensor was operated above the permitted maximum operating pressure.	Reduce operating pressure. Return device to the manufacturer to have the fault repaired.
No flow-rate available	The set-point value is below the limit for the zero point shut-off.	Increase set-point value to > 10 % of the nominal flow-rate.
	The device is in an operating state other than standard controlled operation.	Check operating state, see also chapter 8.3. <i>Functions of the LFC / LFM.</i>
	The pipelines have been sized too large or may not yet have been completely deaerated.	Deaerate lines. Change pipe size.
Actual value fluctuates	FE connection not correct.	Connect FE to the earthing point (as short as possible, wire at least 2.5 mm <sup>2</sup> ).
	The controller is continuously correcting malfunctions in an unstable pressure supply, e.g. by pumping.	Connect suitable pressure controller upstream. Install buffer tank to absorb pressure fluctuations.
	The residual ripple of the power supply voltage is too high.	Use power supply with a smooth output voltage at the required power.
Set-point value = 0 %, flow-rate still available	The operating pressure is above the maximum operating pressure of the valve.	Reduce the operating pressure. Return device to the manufacturer to have the fault repaired.
Set-point value = 0 %, valve is closed, no flow-rate available; however, actual value output indicates a low flow-rate	The mounting position of the device is incorrect.	Install LFC in the calibrated mounting position and run an Autotune function to adjust to the operating conditions.
	A fluid is used other than that designated by the calibration.	Return device to the manufacturer for recalibration for the operating fluid.
Set-point value is not reached	The filter is blocked.	Clean or replace filter.
	The primary pressure is too low.	Increase primary pressure to calibration pressure.
	The back pressure is too high.	Check system components for soiling on output side and if required clean.

Table 10: Malfunctions

## 10. ACCESSORIES / SPARE PARTS



### CAUTION!

Risk of injury and/or damage by the use of incorrect parts!

Incorrect accessories and unsuitable spare parts may cause injuries and damage the device and surrounding area.

- Use original accessories and original spare parts from Bürkert only.

### 10.1. Accessories

In this manual the Bürkert accessories indicated below are recommended for the problem-free operation, maintenance and repair of the device.

#### 10.1.1. Electrical accessories

Types	Article	Order number
8719, 8709	8-pole round plug (soldered connection)	918 299
	8-pole round plug with 5 m cable, one-sided fabricated	787 733
	8-pole round plug with 10 m cable, one-sided fabricated	787 734
	SUB-HD 15-pole plug with 5 m cable, one-sided fabricated	787 735
	SUB-HD 15-pole plug with 10 m cable, one-sided fabricated	787 736
	RS232 adapter for connection to a PC in conjunction with an extension cable (order no. 917039)	654 757
	Extension cable for RS232 9-pole socket/plug 2 m	917 039
	RS485 adapter	658 499
	USB adapter	670 696
	Configuration software (Mass Flow Communicator)	Download from <a href="http://country.burkert.com">country.burkert.com</a>
8718, 8708	Sub-D 15-pole plug soldered connection	918 274
	Sub-D hood for Sub-D socket, with screw locking device	918 408
	Sub-D 15-pole plug with 5 m cable, one-sided fabricated	787 737
	Sub-D 15-pole plug with 10 m cable, one-sided fabricated	787 738
	RS232 adapter for connection to a PC	654 748
	PC extension cable for RS232 9-pole socket/plug 2 m	917 039
	RS485 adapter	654 538
	USB adapter	670 639
	Configuration software (Mass Flow Communicator)	Download from <a href="http://country.burkert.com">country.burkert.com</a>

Table 11: Electrical accessories

### 10.1.2. Fluid accessories

In general, Bürkert offers screw-in connections with imperial screw-in thread only.

The flange plates used therefore, have imperial screw-in threads.

The pipe connection side can be ordered both in metric and imperial sizes.

Screw-in thread in accordance with DIN ISO 228/1	Pipe Ø	Material	Order number	Order number Sealing ring
G 1/4	6 mm	VA	901 538	901 575
G 1/4	8 mm	VA	901 540	901 575
G 1/4	1/4"	VA	901 551	901 579
G 1/4	3/8"	VA	901 553	901 579

Table 12: Fluid accessories



**Caution!**  
A sealing ring must be ordered for each screw joint!



Other accessories for the fluid connection of an LFC / LFM can be found under Type 1013 in the Bürkert accessories catalogue.

### 10.1.3. Mass Flow Communicator (PC software)

The "Mass Flow Communicator" PC program is designed for communication with the devices from the Mass Flow Controller and Liquid Flow Controller families supplied by Bürkert. It is used to configure, as well as display and write various parameters.



The program runs on the Windows platform and requires a serial interface (RS 232) for communication with the LFC / LFM.

This program can be used to configure different settings on the devices:

- Read out information specific to the device
- Change the assignment of binary inputs and outputs
- Change the LED function assignment
- Activate various functions
- Change the dynamic properties



A detailed description and precise listing of the operation procedure of the "Mass Flow Communicator" software can be found in the software documentation.

Download the software from: [country.burkert.com](http://country.burkert.com)

### 10.1.4. Documentation

Designation	Identification number	Order number
Quickstart	805 788	Printed version 805 788
Operating instructions	805 765	As data on CD 804 625
Supplement to the operating instructions for field bus devices	804 553	
Contamination Declaration	806 075	

Table 13: Documentation

## 10.2. Spare parts

For the types 8708, 8718, 8709 and 8719 there are different spare part sets according to the seal material.

Seal material *)	Designation	Order number
EPDM, DA	Seal set with EPDM filter	208 579
FKM	Seal set with FKM filter	208 580
FFKM	Seal set with FFKM filter	208 582

Table 14: Spare-part sets



\*) Observe the specifications on the rating plate for the seal material!

## 11. SHUTDOWN

### 11.1. Safety instructions



#### **DANGER!**

**Risk of injury from high pressure in the equipment!**

- Before loosening the lines and valves, turn off the pressure and vent the lines.

**Danger from escaping operating fluid!**

If contact is made with the operating fluid and its reaction products, including in vapor form (touching, inhaling), there is an acute risk of injury.

- Observe applicable accident prevention and safety regulations for the operating fluids used.

**Risk of injury due to electrical shock!**

- Before removing covers, switch off the power supply and secure to prevent reactivation!
- Observe applicable accident prevention and safety regulations for electrical equipment!



#### **WARNING!**

**Risk of injury from improper removal!**

- Removal may be carried out by authorized technicians only and with the appropriate tools!

### 11.2. Removal of the LFC / LFM

**Procedure:**

- Relieve system pressure.
- Switch off power supply.
- Remove electrical connections.
- Remove fluid connections.
- Empty LFC / LFM.



## 12. PACKAGING, STORAGE, TRANSPORT

### 12.1. Packing, Transporting

#### NOTE!

##### Transport damage!

Inadequately protected equipment may be damaged during transport.

- Remove all cables, connections, separate filters and installation material.
- Clean and empty contaminated devices.
- Protect fluid connections from damage by fitting protective caps and seal.
- Pack device in two suitable and sealable protective film bags.
- During transportation protect the device against wet and dirt in shock-resistant packaging.
- Avoid exceeding or dropping below the allowable storage temperature.

### 12.2. Storing

#### NOTE!

Incorrect storage may damage the device.

- Drain device prior to prolonged operating pauses!
- Store the device in a dry and dust-free location!
- Storage temperature: -10...+70 °C.

## 13. RETURNING THE DEVICE



To return a device already in use, you will require an authorization number!

If you would like to return a device already in use to Bürkert, proceed as follows:

- Complete the Contamination Declaration included with the original documents.
- Send the declaration to the address indicated on the form.

Bürkert will fax or e-mail you an authorization number to return the device.

- Pack the device in consideration of the information in chapter 12.1. *Packing, Transporting*.
- Return the device to Bürkert quoting this authorization number and the Contamination Declaration.

Address:

Bürkert Fluid Control Systems  
Corporate Quality / Complaint Management  
Chr.-Bürkert-Str. 13–17  
D-74653 Ingelfingen  
Tel. + 49 (0) 7940 - 10 91 599  
Fax + 49 (0) 7940 - 10 91 490  
E-mail: [service.international@burkert.com](mailto:service.international@burkert.com)



No work or tests will be carried out on the device until there is a valid Contamination Declaration.

The Contamination Declaration can be downloaded from our Homepage or requested from Bürkert Ingelfingen.

Bürkert Fluid Control Systems  
Sales Center  
Chr.-Bürkert-Str. 13–17  
D-74653 Ingelfingen  
Tel. + 49 (0) 7940 - 10 91 111  
Fax + 49 (0) 7940 - 10 91 448  
E-mail: [info@de.buerkert.com](mailto:info@de.buerkert.com)

[country.burkert.com](http://country.burkert.com)

## 14. DISPOSAL

### Environmentally friendly disposal



- Follow national regulations regarding disposal and the environment.
- Collect electrical and electronic devices separately and dispose of them as special waste.

Further information: [country.burkert.com](https://country.burkert.com).



# Durchflussregler für Flüssigkeiten (LFC) Typ 8718, 8719 Durchflussmesser für Flüssigkeiten (LFM) Typ 8708, 8709

## INHALT

<b>1.</b>	<b>BEDIENUNGSANLEITUNG .....</b>	<b>56</b>
1.1.	Symbole.....	56
<b>2.</b>	<b>BESTIMMUNGSGEMÄSSE VERWENDUNG .....</b>	<b>57</b>
2.1.	Beschränkungen .....	57
2.2.	Vorhersehbarer Fehlgebrauch .....	57
<b>3.</b>	<b>GRUNDLEGENDE SICHERHEITSHINWEISE .....</b>	<b>58</b>
<b>4.</b>	<b>ALLGEMEINE HINWEISE .....</b>	<b>59</b>
4.1.	Lieferumfang .....	59
4.2.	Gewährleistung .....	59
4.3.	Warenzeichen.....	59
4.4.	Informationen im Internet .....	60
<b>5.</b>	<b>SYSTEMBESCHREIBUNG .....</b>	<b>61</b>
<b>5.1.</b>	<b>Allgemeine Beschreibung.....</b>	<b>61</b>
5.1.1.	Durchflussregler für Flüssigkeiten (LFC) .....	61
5.1.2.	Durchflussmesser für Flüssigkeiten (LFM).....	61
<b>5.2.</b>	<b>Funktionen.....</b>	<b>61</b>
5.2.1.	Funktion des LFC (Liquid Flow Controller).....	61
5.2.2.	Funktion des LFM .....	62
5.2.3.	Funktion des Sensors .....	62
5.2.4.	Regelelektronik .....	63
<b>5.3.</b>	<b>Proportionalventil.....</b>	<b>65</b>

<b>6.</b>	<b>TECHNISCHE DATEN.....</b>	<b>66</b>
6.1.	Kennzeichnungen am Gerät .....	66
6.1.1.	Beschriftung des Typschilds / Kalibrierschilds .....	66
6.2.	Betriebsbedingungen .....	67
6.3.	Normen und Richtlinien .....	67
6.4.	Mechanische Daten .....	68
6.5.	Einbaumaße .....	69
6.6.	Fluidische Daten .....	75
6.7.	Elektrische Daten .....	75
<b>7.</b>	<b>INSTALLATION UND INBETRIEBNAHME.....</b>	<b>77</b>
7.1.	Sicherheitshinweise .....	77
7.2.	Maßnahmen vor der Installation.....	77
7.3.	Reihenfolge der auszuführenden Arbeitsschritte .....	78
7.4.	Fluidische Installation .....	78
7.5.	Elektrische Installation.....	79
7.5.1.	Einstellen der Bus-Adresse bei Geräten ohne Drehschalter zur Adresseinstellung .....	80
7.5.2.	Einstellen der Bus-Adresse bei Geräten mit Drehschalter zur Adresseinstellung (Typen 8718 / 8708).....	80
7.5.3.	Pinbelegung.....	81
<b>8.</b>	<b>BEDIENUNG UND FUNKTION .....</b>	<b>84</b>
8.1.	Sicherheitshinweise .....	84
8.2.	Bedienung des LFC / LFM.....	84
8.2.1.	LEDs .....	85
8.2.2.	Ein-/Ausgänge .....	85
8.3.	Funktionen des LFC / LFM .....	88
8.3.1.	Standardregelbetrieb .....	89
8.3.2.	Autotune-Funktion .....	89
8.3.3.	Sicherheitsfunktion .....	90
8.3.4.	Sollwertprofil.....	90
8.3.5.	Steuerbetrieb .....	90

- 9. WARTUNG, STÖRUNGSBESEITIGUNG ..... 91**
  - 9.1. Sicherheitshinweise ..... 91**
  - 9.2. Wartungsarbeiten..... 91**
    - 9.2.1. Wartung bei Betrieb mit stark verschmutzten Medien ..... 92
    - 9.2.2. Werkseitige Reinigung und Neukalibrierung..... 93
  - 9.3. Störungen ..... 93**
- 10. ZUBEHÖR / ERSATZTEILE ..... 95**
  - 10.1. Zubehör ..... 95**
    - 10.1.1. Elektrisches Zubehör ..... 95
    - 10.1.2. Fluidisches Zubehör ..... 96
    - 10.1.3. Mass Flow Communicator (PC-Software) ..... 96
    - 10.1.4. Dokumentationen ..... 97
  - 10.2. Ersatzteile..... 97**
- 11. AUSSERBETRIEBNAHME..... 98**
  - 11.1. Sicherheitshinweise ..... 98**
  - 11.2. Demontage des LFC / LFM ..... 98**
- 12. VERPACKUNG, LAGERUNG, TRANSPORT ..... 99**
  - 12.1. Verpacken, Transportieren..... 99**
  - 12.2. Lagern..... 99**
- 13. GERÄT ZURÜCKSENDEN ..... 100**
- 14. ENTSORGUNG ..... 101**

MAN 1000122156 ML Version: F Status: RL (released | freigegeben) printed: 22.08.2024

# 1. BEDIENUNGSANLEITUNG

Die Bedienungsanleitung beschreibt den gesamten Lebenszyklus des Gerätes. Diese Anleitung so aufbewahren, dass sie für jeden Benutzer gut zugänglich ist und jedem neuen Eigentümer des Gerätes wieder zur Verfügung steht.



## **WARNUNG!**

Die Bedienungsanleitung enthält wichtige Sicherheitshinweise!

Die Nichtbeachtung dieser Hinweise kann zu Gefahrensituationen führen.

- Die Bedienungsanleitung muss gelesen und verstanden werden.

## 1.1. Symbole



### **GEFAHR!**

Warnt vor einer unmittelbaren Gefahr!

- Bei Nichtbeachtung kann es zu lebensgefährlichen oder tödlichen Verletzungen kommen.



### **WARNUNG!**

Warnt vor einer potentiellen Gefahrensituation!

- Bei Nichtbeachtung kann es zu schweren oder sogar tödlichen Verletzungen kommen.



### **ACHTUNG!**

Warnt vor einer möglichen Gefahr!

- Bei Nichtbeachtung kann es zu mittelschweren oder leichten Verletzungen kommen.

### **HINWEIS!**

Warnt vor Sachschäden!

- Bei Nichtbeachtung kann das Gerät oder die Anlage beschädigt werden.



Weist auf wichtige Zusatzinformationen, Tipps und Empfehlungen hin.



Verweist auf Informationen in dieser Bedienungsanleitung oder in anderen Dokumentationen.

→ Kennzeichnet einen auszuführenden Arbeitsschritt.



## 2. BESTIMMUNGSGEMÄSSE VERWENDUNG

Bei nicht bestimmungsgemäßer Verwendung der LFC / LFM des Typs 8718, 8719 / 8708, 8709 können Gefahren für Personen, Anlagen in der Umgebung und die Umwelt entstehen.

- Die LFC-Typen 8718 und 8719 sind für die Durchflussregelung von sauberen und niedrigviskosen Flüssigkeiten bestimmt.
- Die LFM-Typen 8708 und 8709 dienen ausschließlich zur Durchflussmessung von sauberen und niedrigviskosen Flüssigkeiten.
- Es dürfen nur die auf dem Typschild und auf dem Kalibrierprotokoll genannten Medien für den Betrieb verwendet werden.
- Das Gerät darf im Außenbereich nicht ungeschützt der Witterung ausgesetzt werden. Vor Feuchtigkeit und direkter Sonneneinstrahlung schützen sowie die zulässige Umgebungstemperatur beachten.
- Für den Einsatz sind die in den Vertragsdokumenten und der Bedienungsanleitung spezifizierten zulässigen Daten und Betriebsbedingungen sowie die im Kapitel 5.1. beschriebenen Anwendungsbereiche zu beachten.
- Voraussetzungen für einen zuverlässigen und störungsfreien Betrieb sind sachgemäßer Transport, sachgemäße Lagerung und Installation sowie sorgfältige Bedienung und Instandhaltung.
- Das Gerät nur bestimmungsgemäß einsetzen.

### 2.1. Beschränkungen

Bei der Ausfuhr des Systems/Geräts etwaige bestehende Beschränkungen beachten.

### 2.2. Vorhersehbarer Fehlgebrauch

- Die LFC / LFM-Typen 8718, 8719 / 8708, 8709 dürfen nicht für die Durchflussregelung / Durchflussmessung teilchenhaltiger Medien (Teilchengröße > 20 µm) eingesetzt werden.
- Das Gerät nicht ohne die werksseitig eingebaute Edelstahlgitterscheibe (Filter) betreiben.
- Ausschließlich das vorgesehene und auf dem Gerätetypschild angegebene Betriebsmedium in das System einspeisen.  
Ausnahme: Mittel zur Reinigung und Dekontamination des Geräts (siehe auch Kapitel 9.2.1.).  
Hierbei die Beständigkeit der verwendeten Gerätewerkstoffe beachten. Eine Beständigkeitstabelle ist im Internet zu finden unter:  
[country.burkert.com](http://country.burkert.com)  
Im Zweifelsfall an den Hersteller wenden.
- Das Gerät nicht in einer von den Kalibrierbedingungen abweichenden Montageposition betreiben.
- Das Gehäuse nicht mechanisch belasten (z. B. durch Ablage von Gegenständen oder als Trittstufe).
- Keine Veränderungen an den Gerätegehäusen vornehmen. Gehäuseteile und Schrauben nicht lackieren.

### 3. GRUNDLEGENDE SICHERHEITSHINWEISE

Diese Sicherheitshinweise berücksichtigen keine

- Zufälligkeiten und Ereignisse, die bei Montage, Betrieb und Wartung der Geräte auftreten können.
- geltende Sicherheitsbestimmungen, für deren Einhaltung, auch in Bezug auf das Montagepersonal, der Betreiber verantwortlich ist.



#### Gefahr durch hohen Druck!

- Vor dem Lösen von Leitungen und Ventilen den Druck abschalten und Leitungen entleeren.

#### Gefahr eines elektrischen Schlags!

- Bevor die Abdeckungen entfernt werden, Spannungsversorgung abschalten und gegen Wiedereinschalten sichern!
- Die geltenden Unfallverhütungs- und Sicherheitsbestimmungen für elektrische Geräte beachten!

#### Gefahr durch austretendes Betriebsmedium!

- Bei Kontakt mit dem Betriebsmedium und dessen Reaktionsprodukten sowie Dämpfen (Berührung, Einatmen) besteht akute Verletzungsgefahr.
- Die geltenden Unfallverhütungs- und Sicherheitsbestimmungen für die verwendeten Betriebsmedien beachten.

#### Allgemeine Gefahrensituationen.

Zum Schutz vor Verletzungen ist zu beachten:

- Die Anlage darf nicht versehentlich aktiviert werden.
- Installations- und Instandhaltungsarbeiten dürfen nur von autorisiertem Fachpersonal mit geeignetem Werkzeug ausgeführt werden.
- Nach einer Unterbrechung der elektrischen oder fluidischen Versorgung ist ein definierter oder kontrollierter Wiederanlauf des Prozesses zu gewährleisten.
- Das Gerät darf nur in einwandfreiem Zustand und unter Beachtung der Bedienungsanleitung betrieben werden.
- Für die Einsatzplanung und den Betrieb des Geräts müssen die allgemeinen Regeln der Technik eingehalten werden.

#### HINWEIS!

##### Elektrostatisch gefährdete Komponenten / Module!

Das Gerät enthält elektronische Komponenten, die empfindlich auf elektrostatische Entladung (ESD) reagieren. Der Kontakt mit elektrostatisch aufgeladenen Personen oder Gegenständen ist für diese Komponenten gefährlich. Im schlimmsten Fall werden sie sofort zerstört oder fallen nach der Inbetriebnahme aus.

- Die Anforderungen nach EN 61340-5-1 und 5-2 beachten, um potentielle Schäden durch plötzliche elektrostatische Entladung zu minimieren oder zu vermeiden!
- Ferner darauf achten, elektronische Bauelemente nicht bei anliegender Versorgungsspannung zu berühren!



Die LFC / LFM-Typen 8718, 8719 / 8708, 8709 wurden unter Berücksichtigung der anerkannten sicherheitstechnischen Vorschriften entwickelt und entsprechen dem Stand der Technik. Dennoch können Gefahren auftreten.

Bei Nichtbeachtung dieser Bedienungsanleitung und ihrer Hinweise sowie bei unzulässigen Eingriffen in das Gerät entfällt jegliche Haftung unsererseits, ebenso erlischt die Gewährleistung auf Geräte und Zubehöerteile!

## 4. ALLGEMEINE HINWEISE

### 4.1. Lieferumfang

Unmittelbar nach Erhalt der Sendung davon überzeugen, dass der Inhalt nicht beschädigt ist und in Art und Umfang mit dem Lieferschein und der Packliste übereinstimmt.

Bei Unstimmigkeiten bitte umgehend Kontakt mit uns aufnehmen.

#### Deutschland

Kontaktadresse:

Bürkert Fluid Control Systems  
 Sales Center  
 Chr.-Bürkert-Str. 13–17  
 D-74653 Ingelfingen  
 Tel. + 49 (0) 7940 - 10 91 111  
 Fax + 49 (0) 7940 - 10 91 448  
 E-Mail: info@de.buerkert.com

#### International

Die Kontaktadressen sind auf den letzten Seiten dieser Bedienungsanleitung zu finden.

Außerdem im Internet unter:

[country.burkert.com](http://country.burkert.com)

### 4.2. Gewährleistung

Dieses Dokument enthält keine Gewährleistungszusagen. Wir verweisen hierzu auf unsere allgemeinen Verkaufs- und Lieferbedingungen. Voraussetzung für die Gewährleistung ist der bestimmungsgemäße Gebrauch der LFC / LFM-Typen 8718, 8719 / 8708, 8709 unter Beachtung der angegebenen Einsatzbedingungen.



Die Gewährleistung erstreckt sich nur auf Mängel bei den LFC / LFM-Typen 8718, 8719 / 8708, 8709 und ihren Komponenten.

Für Folgeschäden jeglicher Art, die durch Ausfall oder Fehlfunktion des Geräts entstehen könnten, wird keine Haftung übernommen.

### 4.3. Warenzeichen

Die aufgeführten Marken sind Warenzeichen der entsprechenden Firmen / Verbände / Organisationen

PROFIBUS PROFIBUS Nutzerorganisation e. V. V.

CANopen CiA CAN in Automation

## 4.4. Informationen im Internet

Bedienungsanleitungen und Datenblätter zu den Typen 8718, 8719, 8708 und 8709 sind im Internet zu finden unter:

[country.burkert.com](http://country.burkert.com)

Die komplette Dokumentation ist auch auf CD erhältlich und kann unter der Bestellnummer 804 625 angefordert werden.

## 5. SYSTEMBESCHREIBUNG

### 5.1. Allgemeine Beschreibung

Die LFC / LFM-Typen 8718, 8719 / 8708, 8709 sind Geräte zur Regelung oder Messung des Durchflusses von Flüssigkeiten in der Prozesstechnik.

Die Geräte sind für die Regelung und Messung kleiner Durchflussmengen spezifiziert.

#### 5.1.1. Durchflussregler für Flüssigkeiten (LFC)

Der vom integrierten Sensor bereitgestellte Durchfluss-Istwert wird in der digitalen Regelelektronik mit dem über Normsignal oder Feldbus vorgegebenen Durchfluss-Sollwert verglichen. Ebenso wird der Durchfluss-Istwert über Normsignal oder Feldbus ausgegeben.

Im Fall einer Regelabweichung wird über einen Regelalgorithmus die an das Proportionalventil ausgegebene Stellgröße modifiziert. Dadurch wird der Ist-Durchfluss an den Sollwert angeglichen und der Durchfluss kann unabhängig von Druckänderungen oder anderen Störungen in der Anlage auf einem festen Wert gehalten werden oder einem vorgegebenen Profil folgen.

Als Stellglied wird ein reibungsarm arbeitendes Proportionalventil mit hoher Ansprechempfindlichkeit verwendet.

#### 5.1.2. Durchflussmesser für Flüssigkeiten (LFM)

Der vom integrierten Sensor gelieferte Durchfluss-Istwert wird über Normsignal oder Feldbus ausgegeben.

### 5.2. Funktionen

#### 5.2.1. Funktion des LFC (Liquid Flow Controller)

Die LFC-Typen 8718 und 8719 sind Kompaktgeräte zur Regelung des Durchflusses von Flüssigkeiten.

Sie regeln einen vorgegebenen Durchfluss-Sollwert aus, unabhängig von Störgrößen wie Druckschwankungen oder zeitlich veränderlichen Strömungswiderständen, z. B. infolge von Filterverschmutzung.

Der LFC besteht aus folgenden Komponenten:

- Durchflusssensor (Q-Sensor),
- Regelelektronik (mit den Signalverarbeitungs-, Regelungs- und Ventilansteuerungsfunktion),
- Proportional-Magnetventil als Stellglied.

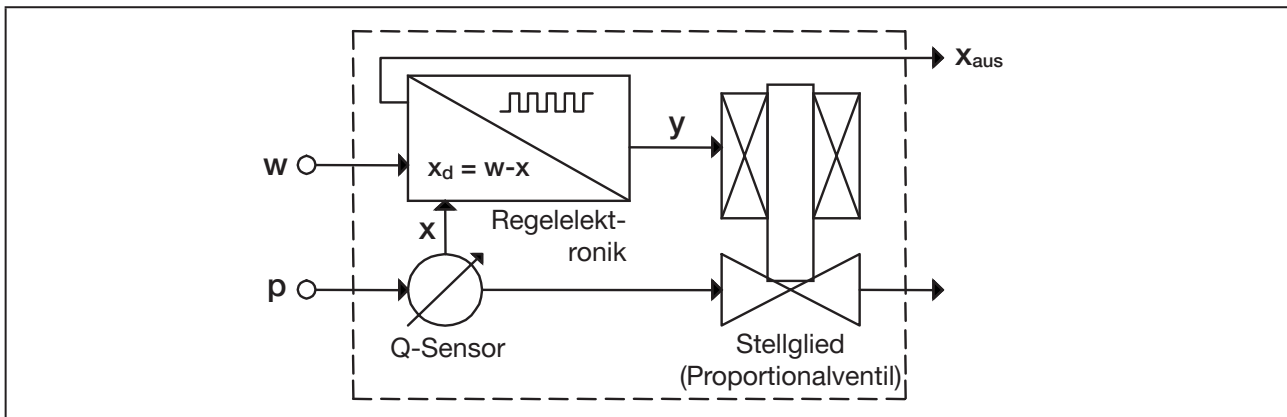


Abb. 1: Komponenten des LFC

### Betriebsmodus

Die Sollwertvorgabe ( $w$ ) erfolgt elektrisch über ein Normsignal oder einen Feldbus.

Der vom Sensor erfasste Istwert ( $x$ ) wird im Regler mit dem Sollwert verglichen.

Als Stellgröße wird vom Regler ein pulswidenmoduliertes Spannungssignal an das Stellglied ausgegeben. Das Tastverhältnis des Spannungssignals wird entsprechend der festgestellten Regelabweichung variiert.

Der Istwert wird darüber hinaus als  $x_{\text{aus}}$  über eine analoge elektrische Schnittstelle oder einen Feldbus ausgegeben und steht dem Benutzer für Kontrollzwecke oder weitere Auswertungen (z. B. Verbrauchsermittlung durch Integration) zur Verfügung.

### 5.2.2. Funktion des LFM

Die LFM-Typen 8708 und 8709 haben gegenüber den entsprechenden LFC-Typen 8718 und 8719 jeweils kein Proportionalventil.

Die Geräte können daher nur den Durchfluss messen und diesen nicht selbstständig ausregeln.

Die nachfolgend beschriebenen Eigenschaften der anderen Komponenten, insbesondere des Sensors, sind identisch mit denen der LFC-Typen.

### 5.2.3. Funktion des Sensors

Die Durchflussmessung erfolgt nach dem Differenzdruckverfahren.

Eine Messblende im Hauptkanal erzeugt im Durchfluss einen Druckabfall von  $p_1$  nach  $p_2$ , der vom Differenzdrucksensor gemessen wird (siehe Abb. 2: Durchflussmessung; Differenzdruckverfahren).

Der aus 2 einzelnen Druckmesszellen bestehende Differenzdrucksensor liefert ein präzises und temperaturkompensiertes Messsignal, mit dem der Durchfluss berechnet wird.

Unabhängig vom Regelzustand wird der aktuelle, vom Sensor gemessene Durchflusswert analog über den Normsignalausgang bzw. digital über die Feldbusschnittstelle ausgegeben.



Um ein dynamisches bzw. ruhiges Istwert-Ausgangssignal zu erhalten, lässt sich die Dämpfung des Ausgangssignals mit der Software „Mass Flow Communicator“ verändern (siehe Kapitel 10.1.3. Mass Flow Communicator (PC-Software)).

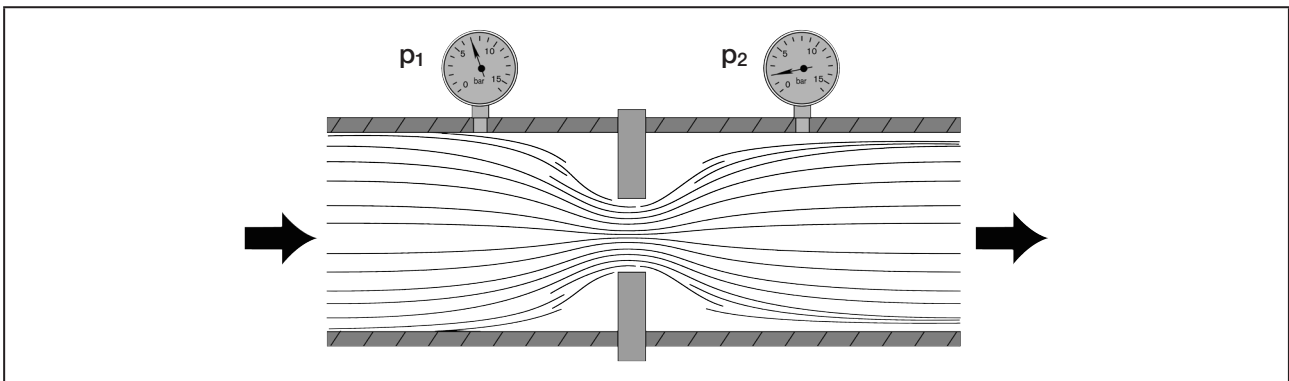


Abb. 2: Durchflussmessung; Differenzdruckverfahren

### Eigenschaften des Differenzdruckverfahrens

- Dieses Messverfahren hat sehr kurze Antwortzeiten und erlaubt daher auch sehr kurze Abtastzeiten durch die Regelelektronik.
- Die Messung erfolgt statisch, bewegliche Teile im Medium sind nicht erforderlich.

### 5.2.4. Regelelektronik

Die Verarbeitung der aktuellen Soll- und Ist-Durchflüsse und die Ansteuerung des Stellgliedes wird von einer Mikroprozessorelektronik durchgeführt.

Das Sensorsignal wird von der Regelelektronik verarbeitet und mit Hilfe der im Gerät hinterlegten Kalibrierkurve in einen dem Ist-Durchfluss entsprechenden Wert umgewandelt.

Zur Regelung kritischer Prozesse, in denen zu schnelle Durchflussänderungen nicht zulässig sind, kann über die Software „Mass Flow Communicator“ eine Rampenfunktion aktiviert werden (siehe Kapitel 10.1.3. Mass Flow Communicator (PC-Software)).

Hierbei sind die Parameter für einen steigenden und einen fallenden Sollwert getrennt einstellbar.



Nähere Informationen zur Rampenfunktion sowie zu allen weiteren Funktionen sind in der Softwaredokumentation für den LFC / LFM zu finden.

#### Regelabweichung:

Regelabweichung = Sollwert – Istwert

$X_d$  =  $W$  –  $X$

Die Regelabweichung wird nach einem PI-Regelalgorithmus verarbeitet.

Die Regelparameter werden im Werk eingestellt.

Um die Eigenschaften der Regelstrecke zu berücksichtigen, arbeitet der Regler mit streckenabhängigen Verstärkungsfaktoren. Bei Durchführung der Autotune-Funktion werden diese automatisch ermittelt.

### Regelparameter:

Im Gerät ist ein Parameter hinterlegt, mit dem die Regeldynamik unter Verwendung der Software „Mass Flow Communicator“ verändert werden kann (siehe Kapitel 10.1.3. *Mass Flow Communicator (PC-Software)*). Extreme Auswirkungen sind

1. ein sehr schnelles Ausregeln, wobei ggf. Überschwinger in Kauf genommen werden,
2. ein langsames Ausregeln auf den gewünschten Durchfluss.

Ersteres kann dazu führen, dass der Regler auf sehr geringe Regelabweichungen sofort reagiert, wodurch die Regelung sehr unruhig werden kann.

Bei weniger dynamischen Prozessen kann das Verhalten des Reglers gedämpft werden, so dass kleinere Schwankungen bei Istwert oder Sollwert nur langsam ausgeregelt werden.

### Stellgröße:

Die Stellgröße wird als ein pulsweitenmoduliertes (PWM-)Signal an das Proportionalventil ausgegeben. Die Frequenz dieses Signals ist auf das jeweils verwendete Ventil abgestimmt.

Als Stellgröße dient das Tastverhältnis des PWM-Signals.

Das Tastverhältnis ist der Quotient aus Einschaltzeit und Taktdauer.

Je größer die Einschaltzeit, d. h. je länger die Ventilschleife angesteuert wird, desto größer ist der mittlere Spulenstrom. Der Spulenstrom ist die Ursache des resultierenden Magnetfelds in der Spule.

Ein größerer Spulenstrom führt zu einem größeren Magnetfeld und erhöht dadurch die Magnetkraft des Ventils, die letztlich den Ventilanker (auch Ventilkern genannt) gegen eine Federkraft nach oben bewegt.

### Ausregelzeit:

Durch das schnell reagierende Proportionalventil als Stellglied und die kurze Antwortzeit des Messglieds wird eine insgesamt kurze Ausregelzeit erreicht (siehe Kapitel 6.6. *Fluidische Daten*).

### Nullpunktabschaltung:

Um die Dichtschließfunktion des Ventils zu gewährleisten, ist eine Nullpunktabschaltung integriert. Diese wird aktiviert, wenn gleichzeitig nachfolgende Bedingungen eintreten:

Sollwert < 10 % vom Nenndurchfluss $Q_{\text{nenn}}$	und	Istwert < 10 % vom Nenndurchfluss $Q_{\text{nenn}}$
--	-----	---



Bei aktiver Nullpunktabschaltung wird das PWM-Signal auf 0 % gesetzt, so dass das Ventil komplett geschlossen ist.

Das Ventil ist ein direktwirkendes, stromlos geschlossenes Ventil.

Eine Rückstellfeder drückt den Ventilanker auf den Ventilsitz und verschließt diesen, sofern die Spule nicht angesteuert wird, also keine der Rückstellkraft entgegenwirkende Magnetkraft erzeugen kann.

Aufgrund einer im Ventilanker integrierten, weichen Sitzdichtung sperrt das Ventil zuverlässig den Medienstrom ab.

### Sollwert:

Der Sollwert wird je nach Geräteausführung alternativ über den Normsignaleingang als analoges Signal oder digital über die serielle Schnittstelle oder die Feldbusschnittstelle vorgegeben.



## 5.3. Proportionalventil

In den LFC werden als Stellglieder direktwirkende Hubanker-Proportionalventile aus dem Bürkert-Ventilprogramm eingesetzt.

Die reibungsarme Führung des bewegten Ventilankers stellt in Verbindung mit der PWM-Ansteuerung eine stetige, weitgehend lineare Kennlinie sowie eine hohe Ansprechempfindlichkeit sicher. Beides ist für die optimale Funktion im geschlossenen Regelkreis des LFC wichtig.

Die Nennweiten der Ventile ergeben sich aus dem geforderten Nenndurchfluss  $Q_{\text{nenn}}$ , den Druckverhältnissen in der Anwendung und der Dichte des Betriebsmediums.

Anhand dieser Daten wird vom Hersteller ein Proportionalventil so ausgewählt, dass der Durchflusskoeffizient  $k_v$  des LFC entsprechend den Durchflussgleichungen bei den spezifizierten Druckverhältnissen einen maximalen Durchfluss von mindestens dem geforderten Nenndurchfluss  $Q_{\text{nenn}}$  ermöglicht.



Wenn das Gerät innerhalb des spezifizierten Druckbereichs betrieben wird, übernimmt das Proportionalventil gleichzeitig mit der Regelfunktion auch die Dichtschließfunktion.

Bei speziellen, harten Dichtwerkstoffen könnte im Einzelfall die Dichtfunktion nicht gewährleistet sein. In diesem Fall kann ein zusätzliches Absperrventil erforderlich werden.



Der LFC oder LFM wird typischerweise auf für die kleinen Durchflüsse sinnvolle Einheiten wie l/h oder ml/min kalibriert.

## 6. TECHNISCHE DATEN



### ACHTUNG!

Verletzungsgefahr durch Druck und Medienaustritt.

Wichtige gerätespezifische technische Angaben sind auf dem Typschild und dem Kalibrierschild angegeben (siehe Kapitel 6.1.1. *Beschriftung des Typschilds / Kalibrierschilds*).

- Zulässiges Medium laut Typschild (abhängig vom Dichtwerkstoff) beachten.
- Zulässigen Druckbereich auf dem Kalibrierschild des Geräts beachten.

### 6.1. Kennzeichnungen am Gerät

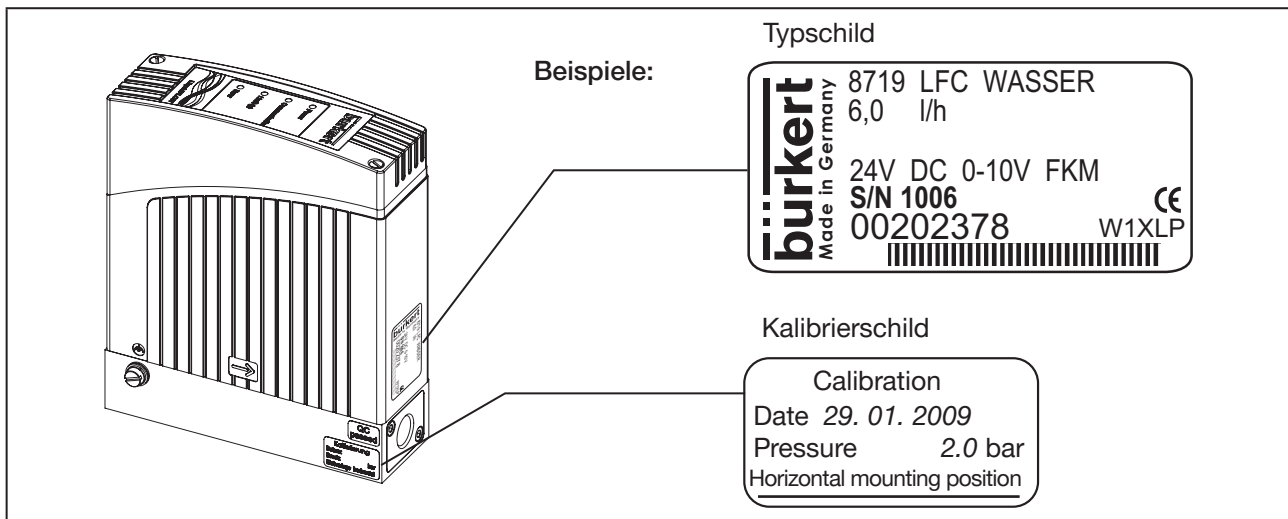
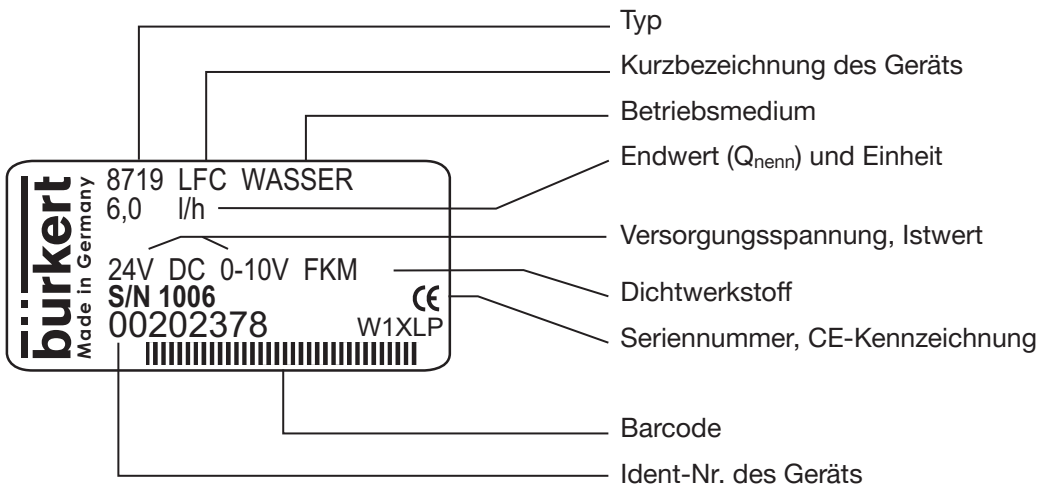


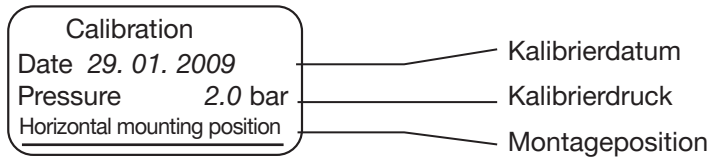
Abb. 3: Typschild, Kalibrierschild

#### 6.1.1. Beschriftung des Typschilds / Kalibrierschilds

Beispiel Typschild



Beispiel Kalibrierschild



## 6.2. Betriebsbedingungen

**! WARNUNG!**

**Verletzungsgefahr bei Funktionsausfall durch Witterungseinflüsse!**

Der LFC / LFM ist nicht für den uneingeschränkten Einsatz im Außenbereich konstruiert. Wird das Gerät im Außenbereich ungeschützt der Witterung ausgesetzt, besteht Verletzungsgefahr durch einen Geräteausfall.

- Das Gerät vor direkter Sonneneinstrahlung schützen.
- Die Einhaltung der für das Gerät zulässigen Umgebungstemperatur sicherstellen.
- Das Gerät unter Berücksichtigung der nachfolgend angegebenen Schutzart vor Feuchtigkeit schützen.

### Zulässige Temperaturen

Umgebungstemperatur:      Betrieb:    0...+55 °C  
    Lagerung: -10...+70 °C

Medientemperatur:            +10...+40 °C

Zulässige Luftfeuchtigkeit:    0...95 %, ohne Kondensation

Betriebsmedien:                saubere und niedrigviskose Flüssigkeiten

Schutzart  
 nach DIN EN 60529:            Typ 8709 und 8719: IP65 (nur bei korrekt angeschlossenen Kabeln,  
    Steckern und Buchsen)  
    Typ 8708 und 8718: IP40

## 6.3. Normen und Richtlinien

CE-Kennzeichnung entsprechend EMV-Richtlinie 2004/108/EG (bisher: 89/336/EG)  
 (nur bei korrekt angeschlossenen Kabeln, Steckern und Buchsen).

Das Gerät entspricht den einschlägigen Harmonisierungsvorschriften der EU. Zudem erfüllt das Gerät auch die Anforderungen der Gesetze des Vereinigten Königreichs.

In der jeweils aktuellen Fassung der EU-Konformitätserklärung / UK Declaration of Conformity sind die harmonisierten Normen aufgelistet, welche im Konformitätsbewertungsverfahren angewandt wurden.

MAN 1000122156 ML Version: F Status: RL (released | freigegeben) printed: 22.08.2024

## 6.4. Mechanische Daten

Montageposition:	horizontal oder vertikal (siehe Kalibrierschild / Kalibrierprotokoll)
Werkstoff:	Gehäuse: Typ 8709 und 8719: Edelstahl 1.4404 Typ 8708 und 8718: Edelstahl 1.4404  Deckel: Typ 8709 und 8719: PBT Typ 8708 und 8718: PC
Dichtwerkstoff	FKM, EPDM, FFKM (siehe Typschild)
Gewicht:	Typ 8709 und 8719: ca. 1200 g (Edelstahl) Typ 8708 und 8718: ca. 1000 g (Edelstahl)
Abmessungen: (L x H x B)	Typ 8709 und 8719: 115 mm x 137,5 mm x 37 mm Typ 8708 und 8718: 107 mm x 115,5 mm x 28 mm Typ 8708 und 8718 mit Flanschanschluss: 107 mm x 115,5 mm x 43 mm

## 6.5. Einbaumaße

LFC-Typ 8719 und LFM-Typ 8709:

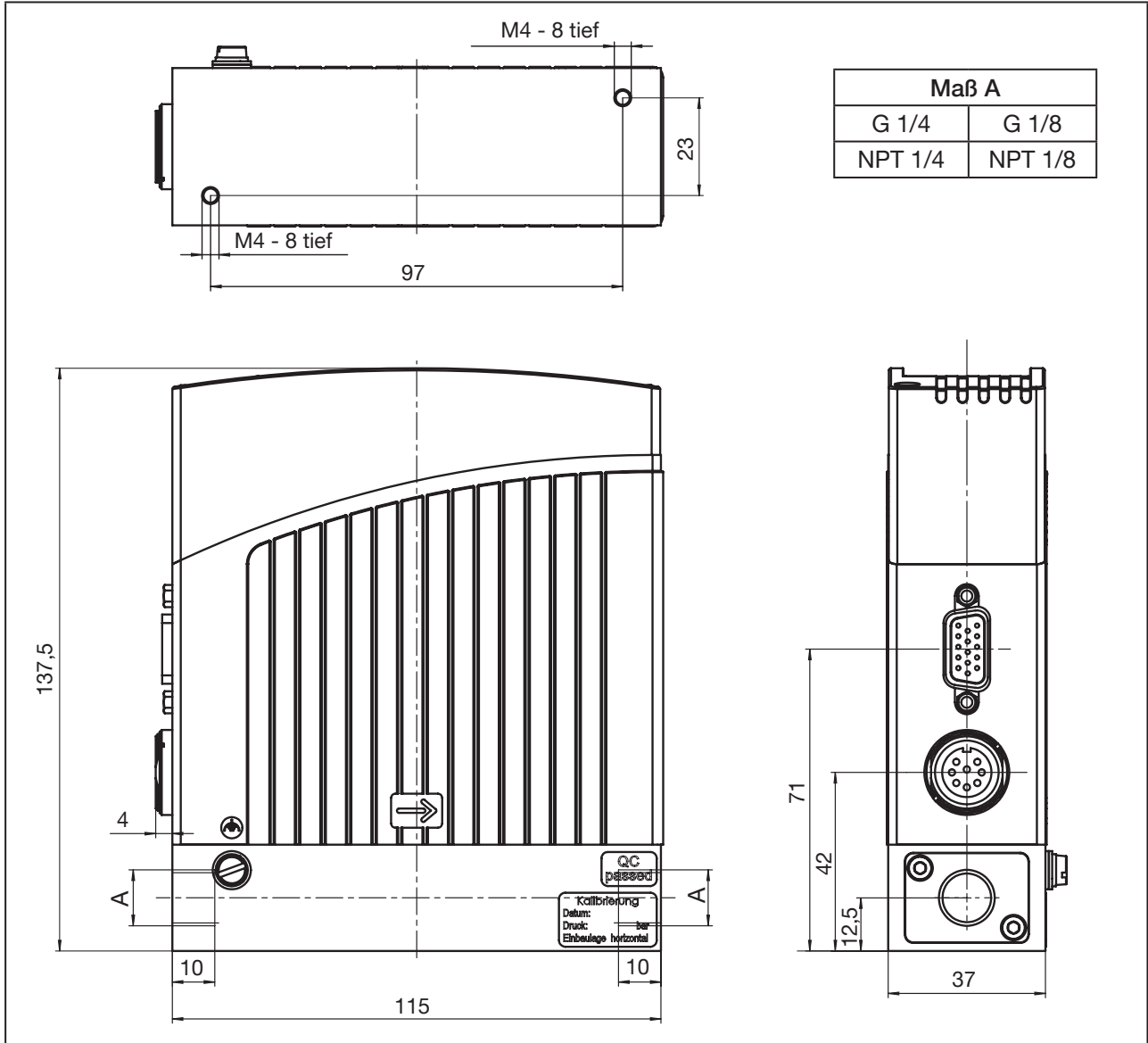


Abb. 4: Einbaumaße LFC-Typ 8719 und LFM-Typ 8709

LFC-Typ 8719 und LFM-Typ 8709, Feldbusausführung:

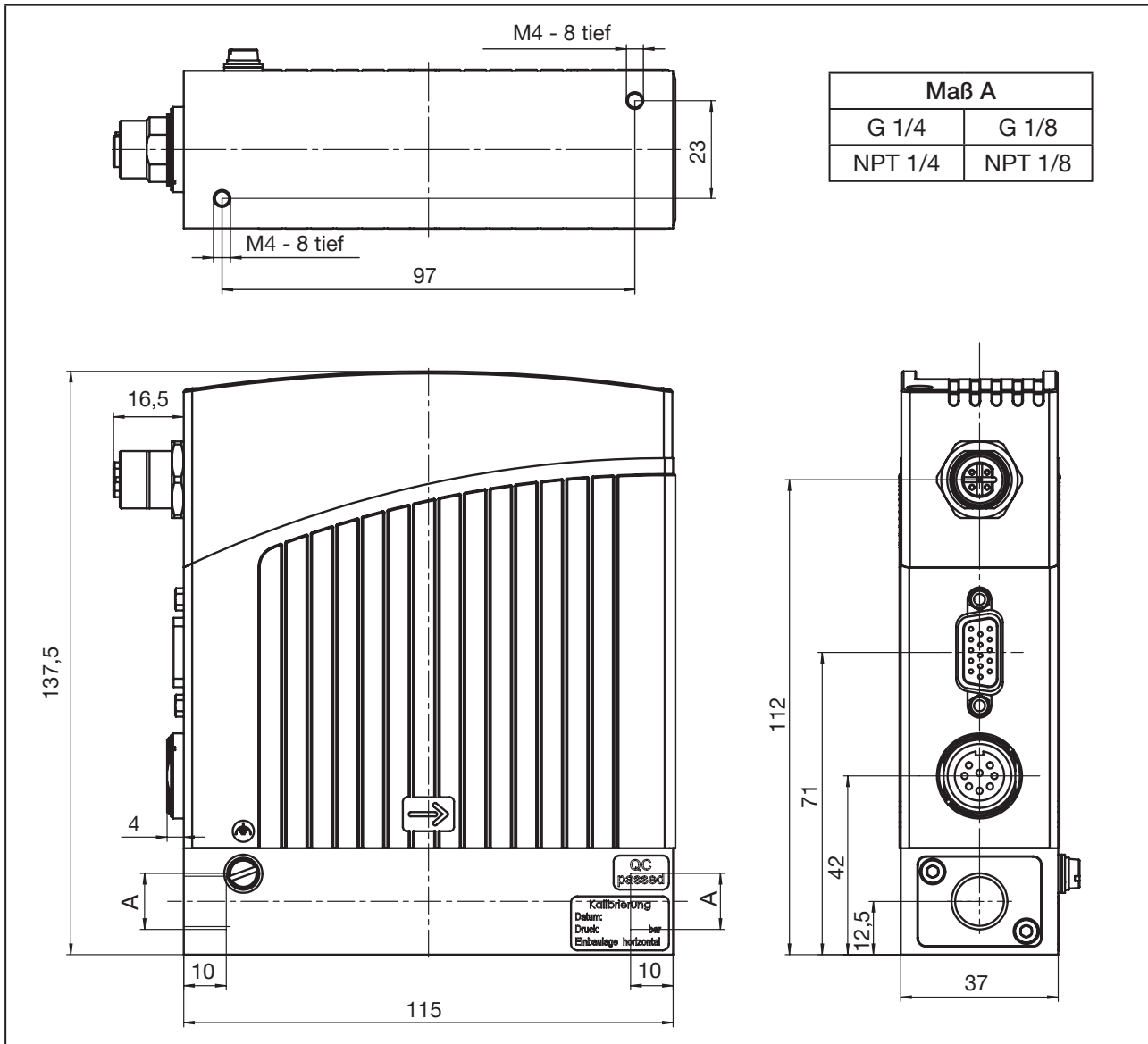


Abb. 5: Einbaumaße LFC-Typ 8719 und LFM-Typ 8709, Feldbusausführung

LFC-Typ 8718 und LFM-Typ 8708:

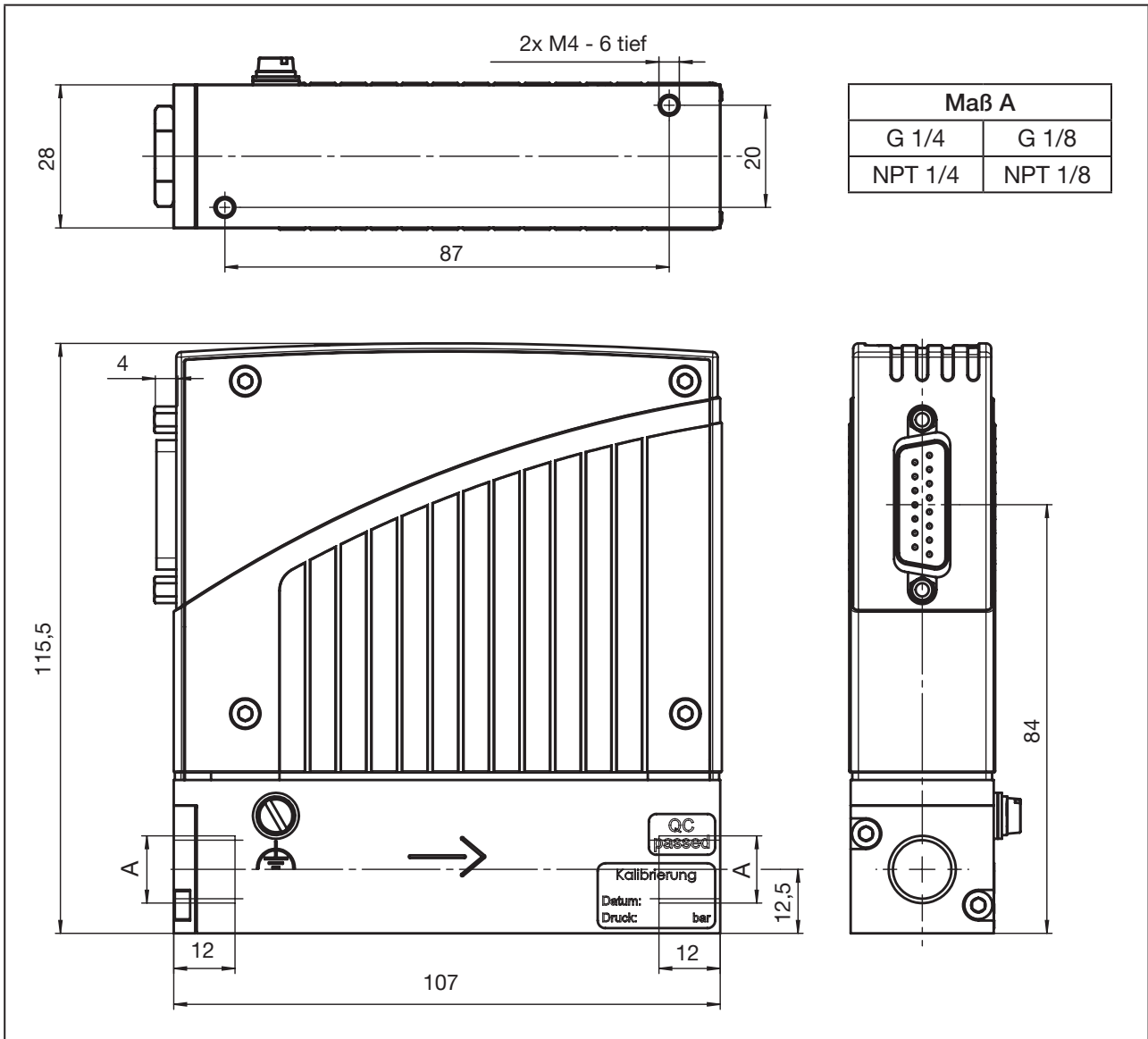


Abb. 6: Einbaumaße LFC-Typ 8718 und LFM-Typ 8708

LFC-Typ 8718 und LFM-Typ 8708, mit Flanschanschluss:

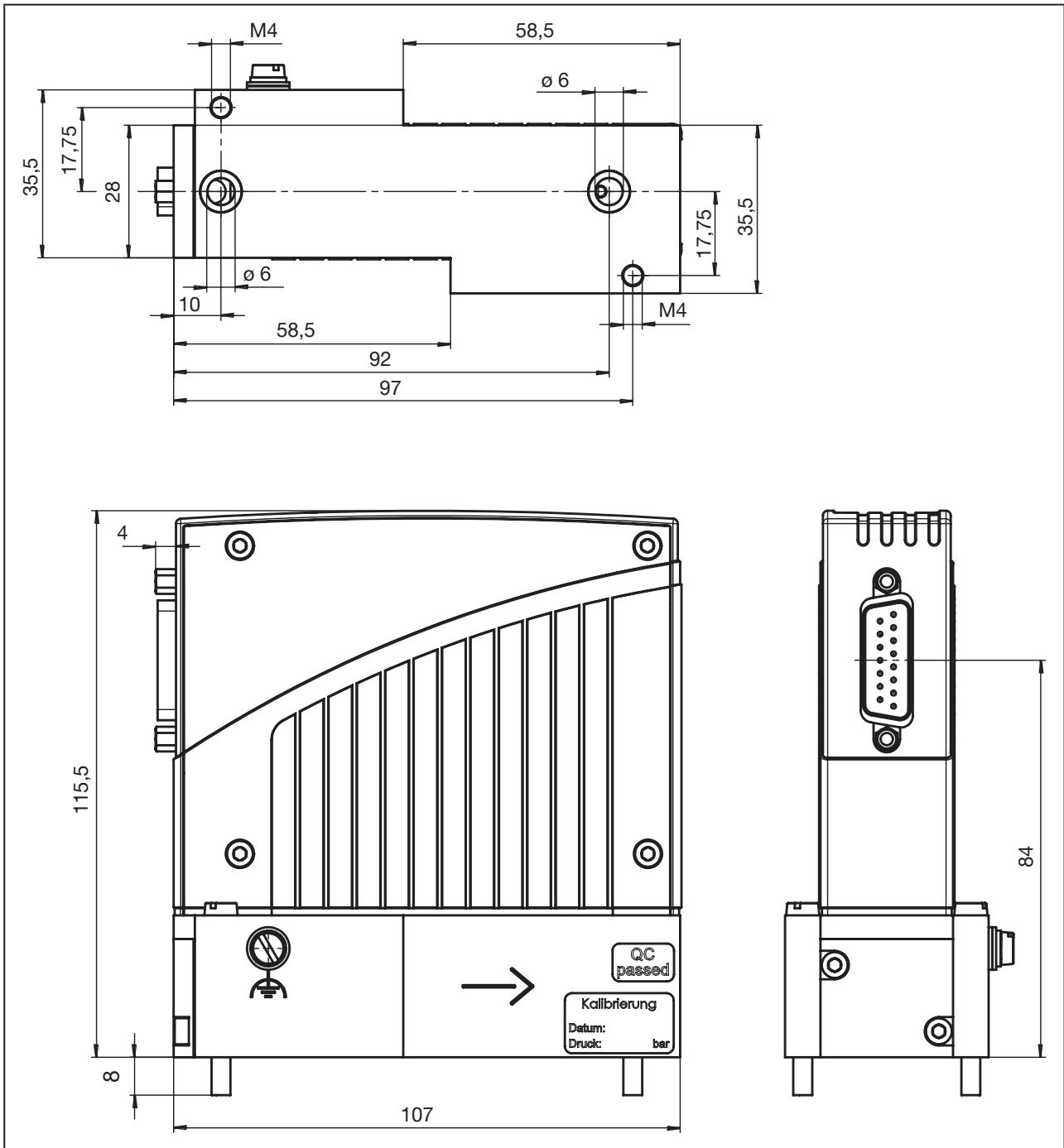


Abb. 7: Einbaumaße LFC-Typ 8718 und LFM-Typ 8708, mit Flanschanschluss



LFC-Typ 8718 und LFM-Typ 8708, Feldbusausführung:

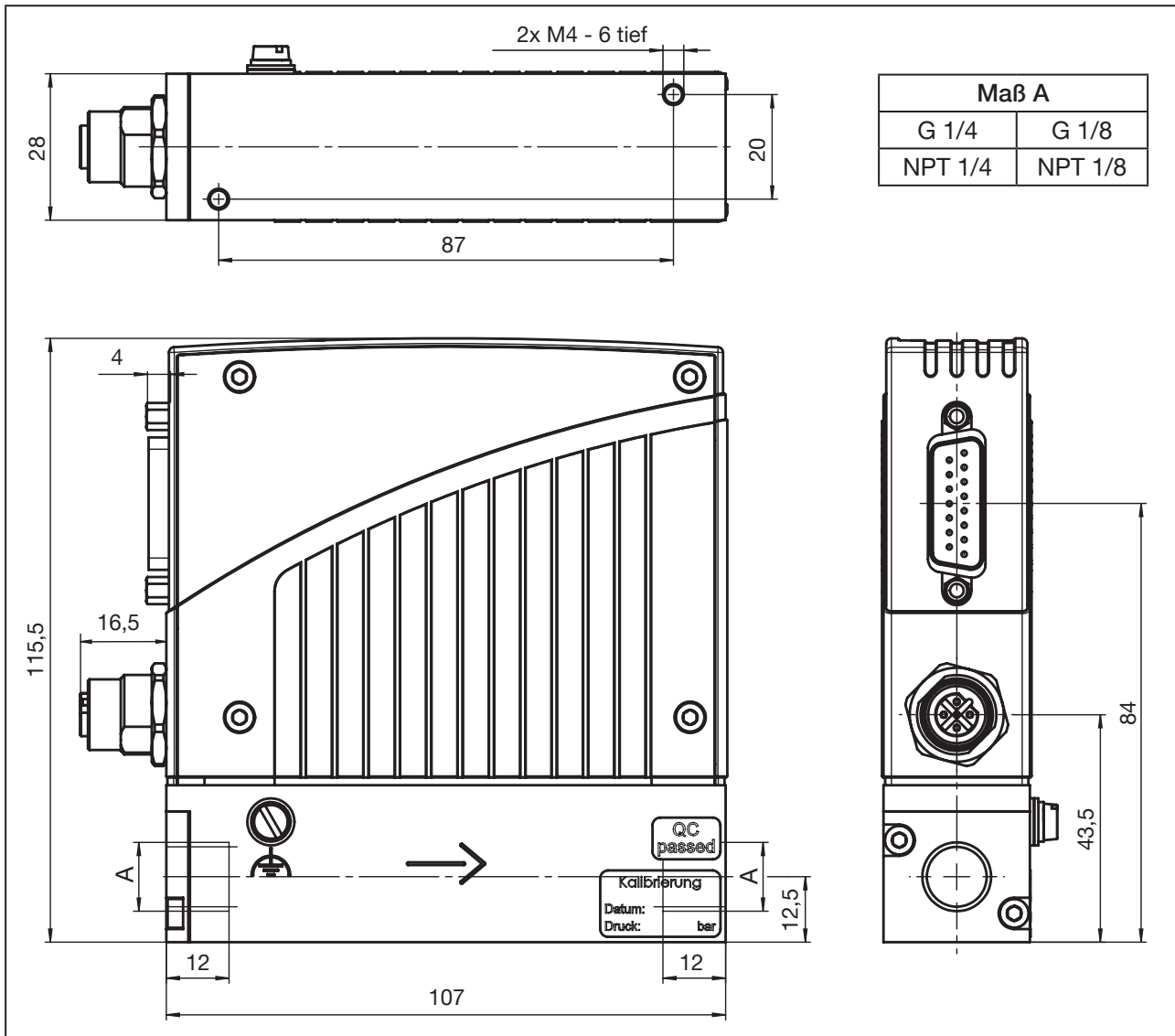


Abb. 8: Einbaumaße LFC-Typ 8718 und LFM-Typ 8708, Feldbusausführung

LFC-Typ 8718 und LFM-Typ 8708, Feldbusausführung mit Flanschanschluss:

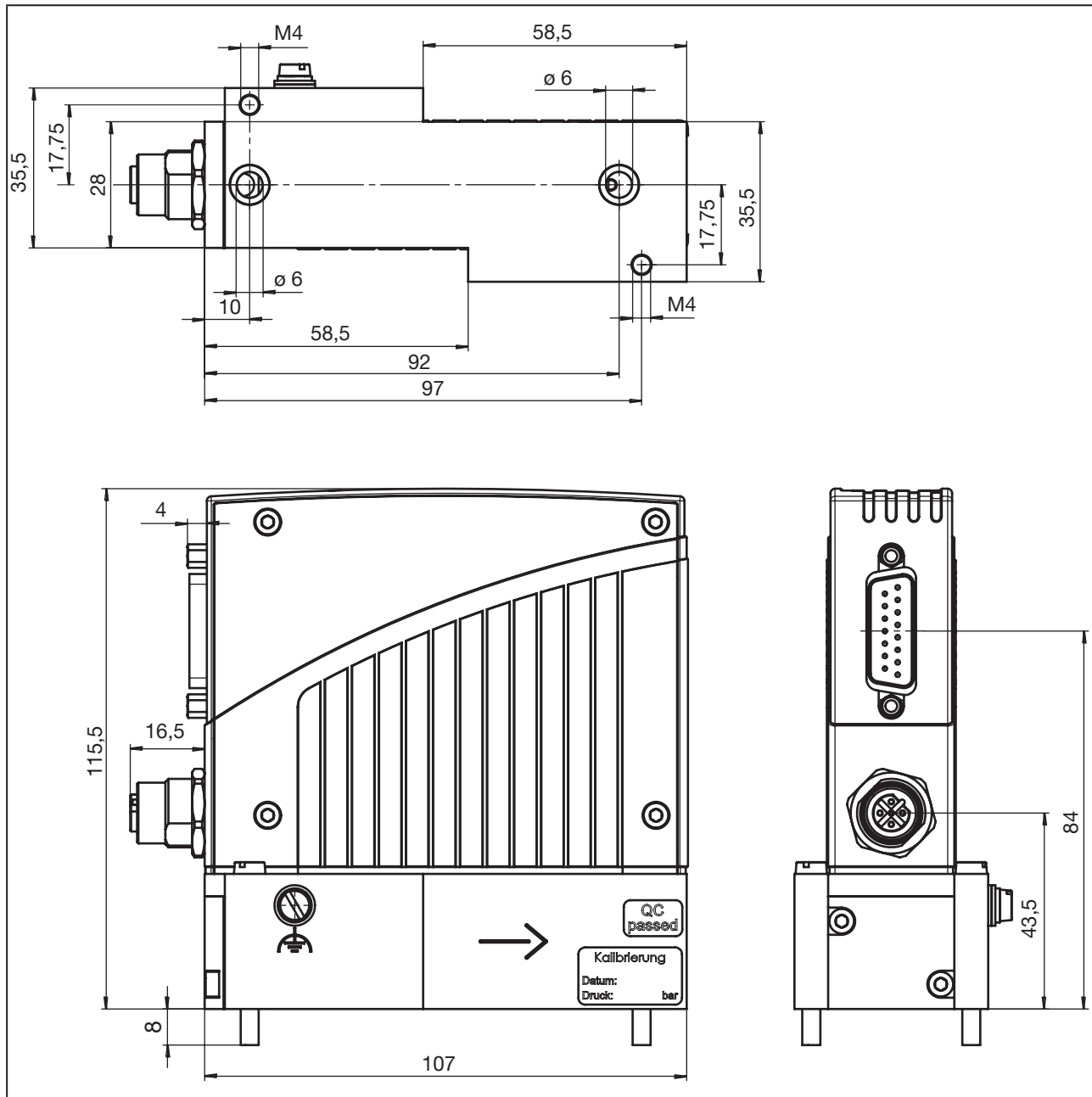


Abb. 9: Einbaumaße LFC-Typ 8718 und LFM-Typ 8708, Feldbusausführung mit Flanschanschluss

## 6.6. Fluidische Daten

Endwert ( $Q_{\text{enn}}$ ):	0,6...36 l/h bzgl. Wasser (siehe Typschild / Kalibrierprotokoll)
Messbereich / Regelbereich:	1 : 10
Messgenauigkeit:	$\pm 1,5$ % v. M. $\pm 0,5$ % v. E. (nach 15 min. Aufwärmzeit)
Reproduzierbarkeit:	$\pm 0,5$ % v. E.
Ausregelzeit ( $t_{95}$ %):	< 500 ms
Max. Betriebsdruck:	2 bar <sub>rel.</sub> , 6 bar <sub>rel.</sub> , 10 bar <sub>rel.</sub> , je nach Version abhängig von der Ventiltinnenweite und vom Sensormessbereich (nähere Informationen siehe Kalibrierprotokoll)
Kalibriermedium:	Betriebsmedium oder Wasser (siehe Kalibrierprotokoll)
Leitungsanschlüsse:	G1/4 oder NPT1/4 8708, 8718: auch als Flanschausführung erhältlich

## 6.7. Elektrische Daten

Spannungsversorgung:	24 V DC $\pm 10$ %; Restwelligkeit < 2 %
Leistungsaufnahme:	8718 und 8719: max. 7,5 W bei Feldbusausführung max. 10 W  8708 und 8709: max. 2,5 W bei Feldbusausführung max. 5 W
Eingänge:	
Sollwert:	Normsignal 0/4...20 mA max. Eingangsimpedanz: 300 $\Omega$ Auflösung: 5 $\mu$ A  Normsignal 0...5/10 V min. Eingangsimpedanz: 20 k $\Omega$ Auflösung: 2,5 mV
Binäreingang:	Low-active, zur Aktivierung mit DGND (für Binäreingänge) verbinden (Zuordnung konfigurierbar)  8709 und 8719: 3 Binäreingänge 8708 und 8718: 2 Binäreingänge

Ausgänge:

Istwert:	Normsignal 0/4...20 mA max. Last: 600 Ω Auflösung: 20 µA
	Normsignal 0...5/10 V max. Strom: 10 mA Auflösung: 10 mV
Binärausgang:	potentialfreie Wechsler 60 V, 1 A, 60 VA (Zuordnung konfigurierbar)
	8709 und 8719: 2 Binärausgänge 8708 und 8718: 1 Binärausgang

Anzeige:

Leuchtdioden:	Zustandsanzeige für Power, Communication, Limit, Error (Zuordnung konfigurierbar)
	8709 und 8719: 4 LEDs 8708 und 8718: 3 LEDs

Feldbusse:

alternativ zur Normsignalausführung  
PROFIBUS DP V1  
CANopen

Elektrische Anschlüsse:

8719 und 8709:  
8-polige Rundbuchse  
15-polige Sub-HD Buchse  
optional: 5-polige M12 Buchse oder Stecker für Feldbus

8718 und 8708:  
15-poliger Sub-D Stecker  
optional: 5-polige M12 Buchse oder Stecker für Feldbus

## 7. INSTALLATION UND INBETRIEBNAHME

### 7.1. Sicherheitshinweise



#### **GEFAHR!**

**Verletzungsgefahr durch hohen Druck in der Anlage!**

- Vor dem Lösen von Leitungen und Ventilen den Druck abschalten und Leitungen entleeren.

**Gefahr durch austretendes Betriebsmedium!**

Bei Kontakt mit dem Betriebsmedium und dessen Reaktionsprodukten sowie Dämpfen (Berührung, Einatmen) besteht akute Verletzungsgefahr.

- Die geltenden Unfallverhütungs- und Sicherheitsbestimmungen für die verwendeten Betriebsmedien beachten.

**Verletzungsgefahr durch Stromschlag!**

- Bevor die Abdeckungen entfernt werden, Spannungsversorgung abschalten und gegen Wiedereinschalten sichern!
- Die geltenden Unfallverhütungs- und Sicherheitsbestimmungen für elektrische Geräte beachten!



#### **WARNUNG!**

**Verletzungsgefahr bei unsachgemäßer Installation oder unsachgemäßer Inbetriebnahme!**

- Die Installation und Inbetriebnahme darf nur autorisiertes Fachpersonal mit geeignetem Werkzeug durchführen!

**Verletzungsgefahr durch ungewolltes Einschalten der Anlage und unkontrollierten Wiederanlauf!**

- Anlage gegen ungewolltes Betätigen sichern.
- Nach der Installation einen kontrollierten Wiederanlauf sicherstellen.

### 7.2. Maßnahmen vor der Installation

- Vor dem Einbau des LFC / LFM Verschmutzungen aus den Rohren und fluidischen Anlagenkomponenten entfernen.
- Einen geeigneten Filter ( $\leq 20 \mu\text{m}$  Maschenweite) vorschalten, um die Sauberkeit des Betriebsmediums zu gewährleisten.

#### **HINWEIS!**

**Bei der Installation Folgendes beachten!**

- Die Montageposition laut Kalibrierschild oder Kalibrierprotokoll.
- Die Verwendung eines Netzteils mit ausreichender Leistung.
- Die maximal erlaubte Restwelligkeit der Betriebsspannung.

### 7.3. Reihenfolge der auszuführenden Arbeitsschritte

Installation und Inbetriebnahme des LFC / LFM in der beschriebenen Reihenfolge vornehmen:

1. Mechanische und fluidische Installation
2. Elektrische Installation
3. Druckbeaufschlagen mit Betriebsmedium
4. Spülen und vollständiges Entlüften der Leitungen mit Betriebsmedium bei Kalibrierdruck
5. Regulärer Betriebsmodus

### 7.4. Fluidische Installation



#### **GEFAHR!**

**Verletzungsgefahr durch hohen Druck in der Anlage!**

- Vor dem Lösen von Leitungen und Ventilen den Druck abschalten und Leitungen entleeren.

Die verfügbaren fluidischen Anschlüsse passend zum maximalen Durchfluss wählen. Einlaufstrecken sind nicht erforderlich.

Die Geräte können auf Wunsch auch mit montierten fluidischen Anschlüssen geliefert werden.



#### **WARNUNG!**

**Gefahr durch Undichtigkeiten!**

Bei geringen Durchflüssen und hohen Drücken muss besonders auf die Dichtheit des Systems geachtet werden, um Fehldosierungen oder ein Austreten des Betriebsmediums zu vermeiden.

- Zur sicheren Abdichtung die nachfolgend beschriebene Vorgehensweise einhalten.

Um das System einwandfrei abzudichten, bei der Montage von Klemmringverschraubungen wie folgt vorgehen:

- Rohrverbindungen spannungsfrei montieren (gegebenenfalls Kompensatoren verwenden).
- Rohr mit passendem Durchmesser und glatter Oberfläche verwenden.
- Rohr gerade absägen und entgraten.
- Zuerst den Überwurfmutter, dann den Stützring (wenn vorhanden) und zuletzt Klemmring in der genannten Reihenfolge auf das Rohr schieben.
- Rohr bis zum Anschlag in die Verschraubung einführen.
- Überwurfmutter handfest anziehen.
- Mit einem Schraubenschlüssel an der Einschraubseite gegenhalten (nicht das Gerätegehäuse belasten) und 1¼ Umdrehungen anziehen.

**HINWEIS!**

Bei längeren Betriebspausen den LFC / LFM vom Medium entleeren und mit Druckluft ausspülen. Dazu muss das Gerät so angesteuert werden, dass das Ventil geöffnet ist.

- Sicherstellen, dass der Kalibrierdruck des Geräts nicht überschritten wird.

Ein zu hoher Druck innerhalb des LFC / LFM führt zu irreparablen Schäden an dem Gerät.

**7.5. Elektrische Installation****GEFAHR!****Verletzungsgefahr durch Stromschlag!**

- Bevor die Abdeckungen entfernt werden, Spannungsversorgung abschalten und gegen Wiedereinschalten sichern!
- Die geltenden Unfallverhütungs- und Sicherheitsbestimmungen für elektrische Geräte beachten!

**WARNUNG!****Brand- und Entzündungsgefahr durch elektrostatische Entladung!**

Bei elektrostatischer Aufladung des Geräts können sich bei einer Entladung leicht entflammable Medien- dämpfe entzünden.

- Zum Schutz vor elektrostatischer Aufladung, das Gehäuse über ein möglichst kurzes Kabel (Querschnitt so groß wie möglich) mit der Funktionserde (FE) verbinden.

**Gefahr durch elektromagnetische Felder!**

Wenn die FE-Verbindung nicht angeschlossen ist, werden die Bestimmungen des EMV-Gesetzes nicht eingehalten!

- Das Gehäuse über ein möglichst kurzes Kabel (Querschnitt so groß wie möglich) mit der Funktionserde (FE) verbinden.

**HINWEIS!****Wichtiger Hinweis für die einwandfreie Funktion des Geräts:**

Die GND- oder Masseleitungen aller Signale des LFC / LFM müssen stets einzeln dem LFC / LFM zugeführt werden.

Werden alle GND-Signale direkt am LFC / LFM gebrückt und nur eine gemeinsame Leitung zur Ansteuerung zugeführt, kann es zu Signalverschiebungen sowie Störungen der analogen Signale kommen.

→ Die Funktionserde (FE) an der gekennzeichneten Schraube anschließen, z. B. mit Hilfe einer Ringzunge.

### 7.5.1. Einstellen der Bus-Adresse bei Geräten ohne Drehschalter zur Adresseinstellung

Die Bus-Adresse der Geräte kann wahlweise über das Bürkert Konfigurations-Tool „Mass Flow Communicator“ unter „Views“ → PROFIBUS / CANopen oder direkt über den Bus-Master eingestellt werden.

Nach einer Adressänderung muss diese am Slave und am Master neu initialisiert werden. Je nach Bus muss hierzu eventuell ein entsprechendes Telegramm gesendet werden.



**Empfehlung:**

Um eine störungsfreie Einstellung sicherzustellen, sollte das Gerät zurückgesetzt werden. (Gerät von der Spannungsversorgung trennen).

### 7.5.2. Einstellen der Bus-Adresse bei Geräten mit Drehschalter zur Adresseinstellung (Typen 8718 / 8708)

Beim Einschalten des Geräts wird die an den Drehschaltern eingestellte Adresse als Slave Adresse übernommen.

Gültige Adressen sind:

- PROFIBUS 0...126
- CANopen 1...127

Wenn die Adresse außerhalb des zulässigen Bereichs eingestellt wurde, gilt die Adresseinstellung wie in Kapitel 7.5.1. beschrieben.

LSB	Einerstelle	Ziffer mal 1	
Einerstelle (x 1)	0...9	→	0...9

MSB	Zehnerstelle	Ziffer mal 10	
Zehnerstelle (x 10)	0...9	→	0...90
	A	→	100
	B	→	110
	C	→	120
	D	→	130
	E	→	140
	F	→	150

Die Adresse setzt sich aus LSB + MSB zusammen

Beispiel:

Adresse	Einstellung MSB	Einstellung LSB
1	0	1
63	6	3
100	A	0
127	C	7

Abb. 10: Einstellen der Bus-Adresse bei Geräten mit Drehschalter (Typen 8718 / 8708)



Falls eine Adresseinstellung mit den vorhandenen Drehschaltern über den Bus-Master erforderlich ist, kann dies durch Einstellen einer Adresse außerhalb des gültigen Bereichs erfolgen.

Eine Änderung der Bus-Adresse über die Drehschalter wird erst nach einem Gerätereustart wirksam.



### 7.5.3. Pinbelegung

#### Pinbelegung LFC-Typ 8719 und LFM-Typ 8709

	<b>Buchse rund 8-polig</b>		<table border="1"> <thead> <tr> <th>Pin</th> <th>Belegung</th> </tr> </thead> <tbody> <tr><td>1</td><td>24 V - Versorgung +</td></tr> <tr><td>2</td><td>Relais 1 – Mittelkontakt</td></tr> <tr><td>3</td><td>Relais 2 – Mittelkontakt</td></tr> <tr><td>4</td><td>Relais 1 – Öffner</td></tr> <tr><td>5</td><td>Relais 1 – Schließer</td></tr> <tr><td>6</td><td>24 V - Versorgung GND</td></tr> <tr><td>7</td><td>Relais 2 – Schließer</td></tr> <tr><td>8</td><td>Relais 2 – Öffner</td></tr> </tbody> </table>	Pin	Belegung	1	24 V - Versorgung +	2	Relais 1 – Mittelkontakt	3	Relais 2 – Mittelkontakt	4	Relais 1 – Öffner	5	Relais 1 – Schließer	6	24 V - Versorgung GND	7	Relais 2 – Schließer	8	Relais 2 – Öffner													
	Pin	Belegung																																
	1	24 V - Versorgung +																																
2	Relais 1 – Mittelkontakt																																	
3	Relais 2 – Mittelkontakt																																	
4	Relais 1 – Öffner																																	
5	Relais 1 – Schließer																																	
6	24 V - Versorgung GND																																	
7	Relais 2 – Schließer																																	
8	Relais 2 – Öffner																																	
<b>LFC-Typ 8719: Buchse Sub-HD 15-polig</b>		<table border="1"> <thead> <tr> <th>Pin</th> <th>Belegung</th> </tr> </thead> <tbody> <tr><td>1<sup>1)</sup></td><td>Sollwerteingang +</td></tr> <tr><td>2<sup>1)</sup></td><td>Sollwerteingang GND</td></tr> <tr><td>3<sup>1)</sup></td><td>Istwertausgang +</td></tr> <tr><td>4</td><td>Binäreingang 2</td></tr> <tr><td>5</td><td>12-V-Ausgang (nur werksinterne Verwendung)</td></tr> <tr><td>6</td><td>RS232 T x D (direkter Anschluss an PC)</td></tr> <tr><td>7</td><td>Binäreingang 1</td></tr> <tr><td>8</td><td>DGND (für Binäreingänge)</td></tr> <tr><td>9</td><td>nur werksinterne Verwendung (nicht belegen!)</td></tr> <tr><td>10</td><td>12-V-Ausgang (nur werksinterne Verwendung)</td></tr> <tr><td>11</td><td>12-V-Ausgang (nur werksinterne Verwendung)</td></tr> <tr><td>12</td><td>Binäreingang 3</td></tr> <tr><td>13<sup>1)</sup></td><td>Istwertausgang GND</td></tr> <tr><td>14</td><td>RS232 R x D (direkter Anschluss an PC)</td></tr> <tr><td>15</td><td>DGND (für RS232-Schnittstelle)</td></tr> </tbody> </table>	Pin	Belegung	1 <sup>1)</sup>	Sollwerteingang +	2 <sup>1)</sup>	Sollwerteingang GND	3 <sup>1)</sup>	Istwertausgang +	4	Binäreingang 2	5	12-V-Ausgang (nur werksinterne Verwendung)	6	RS232 T x D (direkter Anschluss an PC)	7	Binäreingang 1	8	DGND (für Binäreingänge)	9	nur werksinterne Verwendung (nicht belegen!)	10	12-V-Ausgang (nur werksinterne Verwendung)	11	12-V-Ausgang (nur werksinterne Verwendung)	12	Binäreingang 3	13 <sup>1)</sup>	Istwertausgang GND	14	RS232 R x D (direkter Anschluss an PC)	15	DGND (für RS232-Schnittstelle)
Pin	Belegung																																	
1 <sup>1)</sup>	Sollwerteingang +																																	
2 <sup>1)</sup>	Sollwerteingang GND																																	
3 <sup>1)</sup>	Istwertausgang +																																	
4	Binäreingang 2																																	
5	12-V-Ausgang (nur werksinterne Verwendung)																																	
6	RS232 T x D (direkter Anschluss an PC)																																	
7	Binäreingang 1																																	
8	DGND (für Binäreingänge)																																	
9	nur werksinterne Verwendung (nicht belegen!)																																	
10	12-V-Ausgang (nur werksinterne Verwendung)																																	
11	12-V-Ausgang (nur werksinterne Verwendung)																																	
12	Binäreingang 3																																	
13 <sup>1)</sup>	Istwertausgang GND																																	
14	RS232 R x D (direkter Anschluss an PC)																																	
15	DGND (für RS232-Schnittstelle)																																	
<b>LFM-Typ 8709: Buchse Sub-HD 15-polig</b>		<table border="1"> <thead> <tr> <th>Pin</th> <th>Belegung</th> </tr> </thead> <tbody> <tr><td>1</td><td>nicht belegt</td></tr> <tr><td>2</td><td>nicht belegt</td></tr> <tr><td>3<sup>1)</sup></td><td>Istwertausgang +</td></tr> <tr><td>4</td><td>Binäreingang 2</td></tr> <tr><td>5</td><td>12-V-Ausgang (nur werksinterne Verwendung)</td></tr> <tr><td>6</td><td>RS232 T x D (direkter Anschluss an PC)</td></tr> <tr><td>7</td><td>Binäreingang 1</td></tr> <tr><td>8</td><td>DGND (für Binäreingänge)</td></tr> <tr><td>9</td><td>nur werksinterne Verwendung (nicht belegen!)</td></tr> <tr><td>10</td><td>12-V-Ausgang (nur werksinterne Verwendung)</td></tr> <tr><td>11</td><td>12-V-Ausgang (nur werksinterne Verwendung)</td></tr> <tr><td>12</td><td>Binäreingang 3</td></tr> <tr><td>13<sup>1)</sup></td><td>Istwertausgang GND</td></tr> <tr><td>14</td><td>RS232 R x D (direkter Anschluss an PC)</td></tr> <tr><td>15</td><td>DGND (für RS232-Schnittstelle)</td></tr> </tbody> </table>	Pin	Belegung	1	nicht belegt	2	nicht belegt	3 <sup>1)</sup>	Istwertausgang +	4	Binäreingang 2	5	12-V-Ausgang (nur werksinterne Verwendung)	6	RS232 T x D (direkter Anschluss an PC)	7	Binäreingang 1	8	DGND (für Binäreingänge)	9	nur werksinterne Verwendung (nicht belegen!)	10	12-V-Ausgang (nur werksinterne Verwendung)	11	12-V-Ausgang (nur werksinterne Verwendung)	12	Binäreingang 3	13 <sup>1)</sup>	Istwertausgang GND	14	RS232 R x D (direkter Anschluss an PC)	15	DGND (für RS232-Schnittstelle)
Pin	Belegung																																	
1	nicht belegt																																	
2	nicht belegt																																	
3 <sup>1)</sup>	Istwertausgang +																																	
4	Binäreingang 2																																	
5	12-V-Ausgang (nur werksinterne Verwendung)																																	
6	RS232 T x D (direkter Anschluss an PC)																																	
7	Binäreingang 1																																	
8	DGND (für Binäreingänge)																																	
9	nur werksinterne Verwendung (nicht belegen!)																																	
10	12-V-Ausgang (nur werksinterne Verwendung)																																	
11	12-V-Ausgang (nur werksinterne Verwendung)																																	
12	Binäreingang 3																																	
13 <sup>1)</sup>	Istwertausgang GND																																	
14	RS232 R x D (direkter Anschluss an PC)																																	
15	DGND (für RS232-Schnittstelle)																																	

Tabelle 1: Pinbelegung LFC-Typ 8719 / LFM-Typ 8709

<sup>1)</sup> Bei der Feldbusausführung sind die Anschlüsse 1, 2, 3 und 13 nicht belegt.

Pinbelegung LFC-Typ 8718 und LFM-Typ 8708

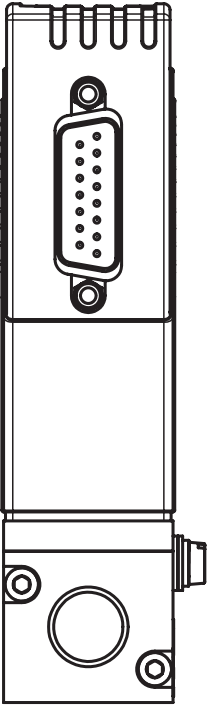
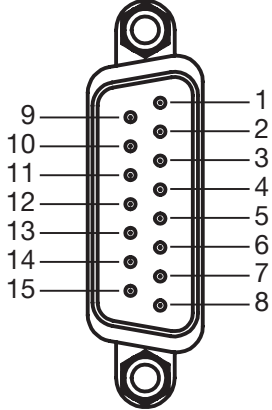
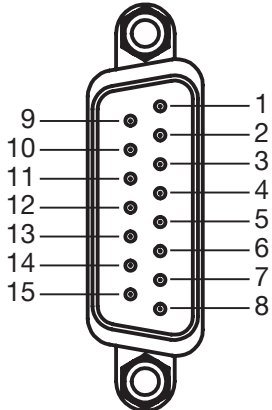
	<b>LFC-Typ 8718: Stecker Sub-D 15-polig</b>		<table border="1"> <thead> <tr> <th>Pin</th> <th>Belegung</th> </tr> </thead> <tbody> <tr><td>1</td><td>Relais – Öffner</td></tr> <tr><td>2</td><td>Relais – Schließer</td></tr> <tr><td>3</td><td>Relais – Mittelkontakt</td></tr> <tr><td>4</td><td>GND für 24-V-Versorgung und Binäreingänge</td></tr> <tr><td>5</td><td>24 V - Versorgung +</td></tr> <tr><td>6</td><td>8-V-Ausgang (nur werksinterne Verwendung)</td></tr> <tr><td>7<sup>2)</sup></td><td>Sollwerteingang GND</td></tr> <tr><td>8<sup>2)</sup></td><td>Sollwerteingang +</td></tr> <tr><td>9<sup>2)</sup></td><td>Istwertausgang GND</td></tr> <tr><td>10<sup>2)</sup></td><td>Istwertausgang +</td></tr> <tr><td>11</td><td>DGND (für RS232)</td></tr> <tr><td>12</td><td>Binäreingang 1</td></tr> <tr><td>13</td><td>Binäreingang 2</td></tr> <tr><td>14</td><td>RS232 R x D (ohne Treiber)</td></tr> <tr><td>15</td><td>RS232 T x D (ohne Treiber)</td></tr> </tbody> </table>	Pin	Belegung	1	Relais – Öffner	2	Relais – Schließer	3	Relais – Mittelkontakt	4	GND für 24-V-Versorgung und Binäreingänge	5	24 V - Versorgung +	6	8-V-Ausgang (nur werksinterne Verwendung)	7 <sup>2)</sup>	Sollwerteingang GND	8 <sup>2)</sup>	Sollwerteingang +	9 <sup>2)</sup>	Istwertausgang GND	10 <sup>2)</sup>	Istwertausgang +	11	DGND (für RS232)	12	Binäreingang 1	13	Binäreingang 2	14	RS232 R x D (ohne Treiber)	15	RS232 T x D (ohne Treiber)
	Pin	Belegung																																	
1	Relais – Öffner																																		
2	Relais – Schließer																																		
3	Relais – Mittelkontakt																																		
4	GND für 24-V-Versorgung und Binäreingänge																																		
5	24 V - Versorgung +																																		
6	8-V-Ausgang (nur werksinterne Verwendung)																																		
7 <sup>2)</sup>	Sollwerteingang GND																																		
8 <sup>2)</sup>	Sollwerteingang +																																		
9 <sup>2)</sup>	Istwertausgang GND																																		
10 <sup>2)</sup>	Istwertausgang +																																		
11	DGND (für RS232)																																		
12	Binäreingang 1																																		
13	Binäreingang 2																																		
14	RS232 R x D (ohne Treiber)																																		
15	RS232 T x D (ohne Treiber)																																		
<b>LFM-Typ 8708: Stecker Sub-D 15-polig</b>		<table border="1"> <thead> <tr> <th>Pin</th> <th>Belegung</th> </tr> </thead> <tbody> <tr><td>1</td><td>Relais – Öffner</td></tr> <tr><td>2</td><td>Relais – Schließer</td></tr> <tr><td>3</td><td>Relais – Mittelkontakt</td></tr> <tr><td>4</td><td>GND für 24-V-Versorgung und Binäreingänge</td></tr> <tr><td>5</td><td>24 V - Versorgung +</td></tr> <tr><td>6</td><td>8-V-Ausgang (nur werksinterne Verwendung)</td></tr> <tr><td>7</td><td>nicht belegt</td></tr> <tr><td>8</td><td>nicht belegt</td></tr> <tr><td>9<sup>2)</sup></td><td>Istwertausgang GND</td></tr> <tr><td>10<sup>2)</sup></td><td>Istwertausgang +</td></tr> <tr><td>11</td><td>DGND (für RS232)</td></tr> <tr><td>12</td><td>Binäreingang 1</td></tr> <tr><td>13</td><td>Binäreingang 2</td></tr> <tr><td>14</td><td>RS232 R x D (ohne Treiber)</td></tr> <tr><td>15</td><td>RS232 T x D (ohne Treiber)</td></tr> </tbody> </table>	Pin	Belegung	1	Relais – Öffner	2	Relais – Schließer	3	Relais – Mittelkontakt	4	GND für 24-V-Versorgung und Binäreingänge	5	24 V - Versorgung +	6	8-V-Ausgang (nur werksinterne Verwendung)	7	nicht belegt	8	nicht belegt	9 <sup>2)</sup>	Istwertausgang GND	10 <sup>2)</sup>	Istwertausgang +	11	DGND (für RS232)	12	Binäreingang 1	13	Binäreingang 2	14	RS232 R x D (ohne Treiber)	15	RS232 T x D (ohne Treiber)	
Pin	Belegung																																		
1	Relais – Öffner																																		
2	Relais – Schließer																																		
3	Relais – Mittelkontakt																																		
4	GND für 24-V-Versorgung und Binäreingänge																																		
5	24 V - Versorgung +																																		
6	8-V-Ausgang (nur werksinterne Verwendung)																																		
7	nicht belegt																																		
8	nicht belegt																																		
9 <sup>2)</sup>	Istwertausgang GND																																		
10 <sup>2)</sup>	Istwertausgang +																																		
11	DGND (für RS232)																																		
12	Binäreingang 1																																		
13	Binäreingang 2																																		
14	RS232 R x D (ohne Treiber)																																		
15	RS232 T x D (ohne Treiber)																																		

Tabelle 2: Pinbelegung LFC-Typ 8718 / LFM-Typ 8708

<sup>2)</sup> Bei der Feldbusausführung sind die Anschlüsse 7 - 10 nicht belegt.

Pinbelegung Feldbus LFC-Typen 8718, 8719 und LFM-Typen 8708, 8709

PROFIBUS DP Buchse M12, B-codiert (DP V1 max. 12 Mbaud)	Pin	Belegung
	1	VDD
	2	R x D / T x D – N (A-Kabel)
	3	DGND
	4	R x D / T x D – N (B-Kabel)
	5	nicht belegt
CANopen Stecker M12	Pin	Belegung
	1	Abschirmung
	2	nicht belegt
	3	DGND
	4	CAN_H
	5	CAN_L

Tabelle 3: Pinbelegung Feldbus LFC-Typen 8718, 8719 / LFM-Typen 8708, 8709

## 8. BEDIENUNG UND FUNKTION

### 8.1. Sicherheitshinweise



#### **WARNUNG!**

##### **Verletzungsgefahr bei unsachgemäßer Bedienung!**

Unsachgemäße Bedienung kann zu Verletzungen sowie Schäden am Gerät und seiner Umgebung führen.

- Das Bedienpersonal muss den Inhalt der Bedienungsanleitung kennen und verstanden haben.
- Die Sicherheitshinweise und die bestimmungsgemäße Verwendung sind zu beachten.
- Nur entsprechend geschultes Personal darf die Anlage/das Gerät bedienen.

### 8.2. Bedienung des LFC / LFM

Die Bedienung des LFC / LFM erfolgt mittels analoger Normsignale oder einer Feldbuskommunikation sowie Binäreingänge. Zur Betriebs- und Statusanzeige dienen 3 oder 4 LEDs auch als Binärausgänge.

Ferner gibt es eine serielle Schnittstelle (RS232), über die z. B. mit der Software „Mass Flow Communicator“ eine Verbindung zu einem PC hergestellt werden kann.



#### • Auswahl der Normsignale / Zuordnung der Binäreingänge

Die gewünschte Konfiguration der Normsignalart sowie die Zuordnung der Binäreingänge kann bei der Bestellung angegeben oder über die Software „Mass Flow Communicator“ konfiguriert werden (siehe auch Kapitel 10.1.3. *Mass Flow Communicator (PC-Software)*).

#### • LED-Belegung / Zuordnung Binärausgänge

Die LED-Belegung (mit Ausnahme der Power- und der Error-LED) und die Zuordnung der Binärausgänge können ebenfalls über die PC-Software „Mass Flow Communicator“ konfiguriert werden (siehe auch Kapitel 10.1.3. *Mass Flow Communicator (PC-Software)*).

### 8.2.1. LEDs

Zur Betriebs- und Statusanzeige dienen 3 oder 4 LEDs.

Standardbelegung der LEDs:		
LED-Status	Beschreibung	
Power (grün)	leuchtet	Das Gerät ist an der Spannungsversorgung angeschlossen.
	blinkt	Autotune-Funktion ist aktiv.
Communication (gelb <sup>3)</sup> )	leuchtet	Das Gerät kommuniziert über den Feldbus oder die serielle Schnittstelle (RS232).
Limit (y) (blau <sup>4)</sup> )	leuchtet	LFC: Zeigt an, dass die Stellgröße des Proportionalventils fast 100 % erreicht hat. In der Praxis bedeutet dies meist, dass der Druck am Regler nicht ausreicht, um den gewünschten Durchfluss zu erreichen.  LFM: Zeigt an, dass der Istwert fast den Nenndurchfluss erreicht hat.
	blinkt	Das Gerät befindet sich in einem anderen Betriebszustand als dem Regelbetrieb oder der Autotune-Funktion.
Error (rot)	leuchtet	Kein schwerwiegender Fehler, z. B. nicht erfolgreich abgeschlossene Autotune-Funktion.
	blinkt	Schwerwiegender Fehler, z. B. Sensorbruch, fehlerhafte interne Versorgungsspannung oder zu hoher Betriebsdruck.
<sup>3)</sup> bei Analogausführung von 8708 / 8718 nicht vorhanden		
<sup>4)</sup> bei Bus-Ausführung von 8708 / 8718 nicht vorhanden		

Tabelle 4: Standardbelegung der LEDs

### 8.2.2. Ein-/Ausgänge

#### Sollwerteingang (nur analoge LFC-Version)

Der Sollwerteingang dient zur analogen Durchflussvorgabe mittels eines Normsignals.

#### Istwertausgang (nur analoge LFC / LFM-Version)

Der Istwertausgang gibt den aktuellen Durchflusswert als Normsignal aus.

#### Busverbindung (nur LFC / LFM-Feldbusausführung)

Soll- und Istwert werden in digitaler Form über den Feldbus empfangen bzw. zurückgemeldet. Es kann zwischen PROFIBUS DP und CANopen-Verbindung gewählt werden (siehe auch Ergänzung zur Bedienungsanleitung für Feldbusgeräte).

## Binäreingänge

Durch Aktivieren der Binäreingänge lassen sich verschiedene Aktionen am LFC / LFM durchführen und Letzteren in eine bestimmte Betriebsart versetzen. Zur Aktivierung wird der jeweilige Binäreingang für mindestens 0,5 s mit DGND verbunden (für Binäreingänge).

Mögliche Binäreingangsfunktionen	
Funktion	Beschreibung
Autotune auslösen	Start der Autotune-Funktion zur Optimierung der Regelparameter auf die vorhandenen Bedingungen der Anlage, Beschreibung siehe Kapitel 8.3.Funktionen des LFC / LFM.
Umschalten auf Kennlinie 2	Es werden die unter Gas 2 hinterlegte Kalibrierkurve sowie alle dort eingetragenen Parameter verwendet.
Totalisator-Reset	Der integrierte Totalisator (Mengenintegrator) wird auf den Wert 0 zurück gesetzt.
Sollwertprofil starten	Start des hinterlegten Sollwertprofils, Beschreibung siehe Kapitel 8.3.Funktionen des LFC / LFM.
Steuerbetrieb	Umschalten in den Steuerbetrieb zum gezielten Öffnen des integrierten Proportionalventils, Beschreibung siehe Kapitel 8.3.Funktionen des LFC / LFM.
Sicherheitswert ausregeln <sup>5)</sup>	Ausregeln des im Gerät hinterlegten Sicherheitswerts als Durchflusssollwert. Der angelegte analoge bzw. durch den Feldbus übertragene Durchflusssollwert wird in diesem Fall ignoriert.
Ventil komplett schließen <sup>5)</sup>	Ventil komplett geschlossen. Der Durchflusssollwert wird in diesem Fall ignoriert.
Ventil komplett öffnen <sup>5)</sup>	Ventil komplett geöffnet. Der Durchflusssollwert wird in diesem Fall ignoriert.
<sup>5)</sup> Bei diesen Funktionen kann die Wirkungsweise des Binäreinganges (aktiv / inaktiv) ausgewählt werden	

Tabelle 5: Binäreingangsfunktionen

Standardbelegung der Binäreingänge:	
Eingang	Belegung
Binäreingang 1	LFC: Autotune auslösen LFM: unbenutzt
Binäreingang 2	LFC: Ventil komplett öffnen LFM: unbenutzt
Binäreingang 3 <sup>6)</sup>	unbenutzt
<sup>6)</sup> bei 8718 / 8708 nicht vorhanden	

Tabelle 6: Standardbelegung der Binäreingänge

### Binärausgänge

Die LFC / LFM haben Binärausgänge zur Anzeige von Betriebszuständen, Grenzwertüber-/unterschreitung oder Fehlern.

Mögliche Binärausgangsfunktionen	
Funktion	Beschreibung
unbenutzt	Dem Binärausgang ist keine Funktion zugeordnet.
Power ein	Die Spannungsversorgung liegt an.
Autotune aktiv	Die Autotune-Funktion ist aktiv.
Gas 1 bzw. 2 aktiv	Die Kalibrierkurve 1 bzw. 2 ist momentan ausgewählt.
Benutzerdefinierte Kalibrierung aktiv	Das Gerät arbeitet mit der vom Kunden angepassten Kalibrierung.
Binäreingang 1, 2 oder 3 aktiv	Binäreingang 1, 2 oder 3 konfiguriert.
Binärausgang durch Feldbus aktivieren	Der Status der Binärausgänge wird über den Feldbus oder die serielle Schnittstelle vorgegeben.
Sicherheitswert ausregeln aktiv	Der eingestellte Sicherheitswert wird ausgeregelt.
Sollwertprofil aktiv	Das im Gerät hinterlegte Sollwertprofil wird ausgeregelt.
Steuerbetrieb aktiv	Der Steuerbetrieb ist aktiv, d. h. der vorgegebene Sollwert wird direkt als Stellgröße an das Proportionalventil ausgegeben.
Ventil komplett schließen aktiv	Die Funktion „Ventil komplett schließen“ ist aktiviert.
Ventil komplett öffnen aktiv	Die Funktion „Ventil komplett öffnen“ ist aktiviert.
Fehlerhafter Strombedarf	Der Strombedarf des Geräts wird überwacht. Diese Funktion wird ausgelöst, wenn dieser Wert außerhalb definierter Grenzen liegt. Ein zu hoher oder zu geringer Strombedarf kann beispielsweise auf einen Gerätedefekt hinweisen.
Fehlerhafte interne Spannungsversorgung	Die Betriebsspannung des Geräts wird überwacht. Bei Über- bzw. Unterschreitung definierter Grenzen wird diese Funktion ausgelöst.
Fehlerhafte Spannungsversorgung des Sensors	Die Versorgungsspannung des Sensors wird überwacht. Bei Über- bzw. Unterschreitung definierter Grenzen wird diese Funktion ausgelöst.
Fehlerhafte Datenspeicherung	Bei der Datenspeicherung im nichtflüchtigen Speicher des Geräts ist ein Fehler aufgetreten.
Sensorfehler	Das Gerät kann anhand eines Selbsttests einen Sensordefekt feststellen. In diesem Fall wird diese Funktion aktiviert.
MFI-Fehler	Das Feldbusmodul (MFI) ist defekt oder falsch bestückt. Eine Feldbuskommunikation ist nicht möglich.
x Limit	Der Istwert hat einen frei konfigurierbaren Grenzwert über- oder unterschritten.
w Limit	Der Sollwert hat einen frei konfigurierbaren Grenzwert über- oder unterschritten.
y2 Limit	Die Stellgröße hat einen frei konfigurierbaren Grenzwert über- oder unterschritten.
Totalisator Limit	Der Totalisator hat einen frei konfigurierbaren Grenzwert über- oder unterschritten.

Tabelle 7: Binärausgangsfunktionen

MAN 1000122156 ML Version: F Status: RL (released | freigegeben) printed: 22.08.2024

Standardbelegung der Binärausgänge:	
Ausgang	Belegung
Binärausgang 1	Grenzwert (y)
Binärausgang 2 <sup>7)</sup>	Error (bei schwerwiegendem Fehler, z. B. Sensorbruch oder fehlerhafte interne Spannungsversorgung)
<sup>7)</sup> bei 8718 / 8708 nicht vorhanden	

Tabelle 8: Standardbelegung der Binärausgänge

### 8.3. Funktionen des LFC / LFM

Der LFC / LFM kann verschiedene Betriebszustände einnehmen:

Übersicht der Betriebszustände			
Betriebszustand	kann unterbrochen oder beendet werden durch	Anzeige auf LEDs bei Standardeinstellung	Erreichen des Betriebszustands über Binäreingang (wenn konfigurierbar)
Standardregelbetrieb	<ul style="list-style-type: none"> <li>• Autotune-Funktion</li> <li>• Sicherheitsfunktion</li> <li>• Sollwertprofil</li> <li>• Steuerbetrieb</li> </ul>	Power-LED (grün) leuchtet	-
Autotune-Funktion	<ul style="list-style-type: none"> <li>• Sicherheitsfunktion</li> <li>• Geräte-Reset</li> </ul>	Power LED (grün) blinkt	Auslösung bei aktivem Binäreingang für mindestens 0,5 s (dauerhafte Eingangsaktivierung führt zu einem Funktionsneustart)
Sicherheitsfunktion	-	Limit-LED (blau) blinkt	solange aktiv
Sollwertprofil	<ul style="list-style-type: none"> <li>• Autotune-Funktion</li> <li>• Sicherheitsfunktion</li> <li>• Geräte-Reset</li> </ul>	Limit-LED (blau) blinkt	Auslösung bei aktivem Binäreingang für mindestens 0,5 s (dauerhafte Eingangsaktivierung führt zu einem Funktionsneustart)
Steuerbetrieb	<ul style="list-style-type: none"> <li>• Autotune-Funktion</li> <li>• Sicherheitsfunktion</li> <li>• Geräte-Reset</li> </ul>	Limit-LED (blau) blinkt	solange aktiv

Tabelle 9: Betriebszustände



### 8.3.1. Standardregelbetrieb

In diesem Betriebszustand befindet sich der LFC / LFM direkt nach dem Einschalten und einer kurzen Initialisierungsphase. Die grüne Power-LED leuchtet.

Der Durchfluss wird beim LFC auf den vorgegebenen Sollwert mit einer hohen Dynamik ausgeregelt. Störungen, z. B. infolge von Druckänderungen, werden durch entsprechende Anpassung der Öffnung des Proportionalventils schnell ausgeglichen.

Die Sollwertvorgabe erfolgt in diesem Betriebszustand je nach Geräteausführung über den analogen Eingang (Normsignaleingang) oder den Feldbus.

Die Reglerparameter sind so eingestellt, dass Sollwertänderungen oder Störgrößen möglichst schnell ausgegeregelt werden, ohne dass dabei nennenswerte Überschwinger auftreten.

Der Durchfluss-Istwert kann je nach Geräteausführung über den analogen Ausgang (Normsignalausgang) oder den Feldbus ausgelesen werden.



Bitte beachten!

**Leuchtet die blaue Limit (y) LED auf, bedeutet dies**

- **beim LFC**  
das Regelsignal des Proportionalventils nähert sich der 100-%-Grenze.  
Ursache ist üblicherweise
  - eine zu geringe Druckdifferenz über den LFC,  
z. B. infolge einer nicht ausreichenden Druckversorgung oder
  - ein stark verschmutzter Filter.

Dies kann dazu führen, dass der vorgegebene Sollwert nicht erreicht werden kann und eine bleibende positive Regelabweichung ( $w - x$ ) entsteht.

- **beim LFM**  
der aktuelle Durchfluss nähert sich dem Nenndurchfluss oder hat diesen überschritten.  
Eine starke Überschreitung des Nenndurchflusses kann dazu führen, dass der ausgegebene Durchfluss vom tatsächlichen Durchfluss abweicht.

Um auf die Abweichungen eine externe Reaktion zu ermöglichen, wird ein Binärausgang geschaltet.

### 8.3.2. Autotune-Funktion

Voraussetzung für die automatische Anpassung des Reglers an die Bedingungen der Anlage ist, dass die typischen Druckverhältnisse herrschen.

→ Durch kurze Betätigung (> 0,5 s) des Binäreingangs 1 die Autotune-Funktion auslösen.

Die Autotune-Funktion läuft automatisch ab.

Während der Durchführung der Autotune-Funktion blinkt die grüne Power-LED.



#### **WARNUNG!**

**Während die Autotune-Funktion abläuft, Folgendes beachten:**

Es treten verschiedene Durchflussänderungen auf.

- Die Stromversorgung des LFC darf nicht abgeschaltet werden.
- Der Versorgungsdruck sollte konstant gehalten werden.

Während des Ablaufs der Autotune-Funktion regelt der LFC nicht.

Das Proportionalventil wird nach einem intern vorgegebenen Profil geregelt, was zu Durchflussänderungen führt. Dabei werden einige Regelparameter an die in der Anlage vorherrschenden Bedingungen angepasst.

Diese Parameter werden am Ende einer erfolgreich abgelaufenen Autotune-Funktion in den nicht-flüchtigen Speicher des Gerätes übernommen.

Nach beendeter Autotune-Funktion kehrt der LFC in den vorherigen Betriebszustand zurück.



Jeder LFC hat bei der Endprüfung im Werk die Autotune-Funktion mit dem im Kalibrierprotokoll angegebenen Betriebsdruck und Kalibriermedium durchlaufen.

Für einen zuverlässigen Regelbetrieb in der Anlage ist das erneute Auslösen dieser Funktion daher nicht zwingend erforderlich.

Die Autotune-Funktion sollte jedoch ausgelöst werden, wenn

- sich die Druckverhältnisse in der Anlage stark geändert haben.
- das Kalibriermedium nicht mit dem Betriebsmedium übereinstimmt.

### 8.3.3. Sicherheitsfunktion

Diese Funktion kann je nach Gerätekonfiguration über einen Binäreingang oder Feldbus aktiviert oder zurückgesetzt werden.

Das Gerät verhält sich in diesem Betriebszustand wie im Standardregelbetrieb. Allerdings wird ein extern anliegender Sollwert ignoriert und ein definierter Sicherheitswert (Standardeinstellung: 0 %, mit PC-Software „Mass Flow Communicator“ veränderbar) als Sollwert verwendet.

### 8.3.4. Sollwertprofil

Diese Funktion kann je nach Gerätekonfiguration über einen Binäreingang oder Feldbus aktiviert oder zurückgesetzt werden.

Das Gerät verhält sich in diesem Betriebszustand wie im Standardregelbetrieb. Allerdings wird ein extern anliegender Sollwert ignoriert und eine vorher definierte zeitliche Abfolge von bis zu 30 Durchflusswerten als Sollwert verwendet (mit PC-Software „Mass Flow Communicator“ konfigurierbar).

Nach Durchlaufen des Sollwertprofils geht das Gerät in den vorherigen Betriebszustand zurück, sofern dieser bei Aktivierung durch einen Binäreingang wieder zurückgesetzt wurde.

### 8.3.5. Steuerbetrieb

Diese Funktion kann je nach Gerätekonfiguration über einen Binäreingang oder Feldbus aktiviert oder zurückgesetzt werden (mit PC-Software „Mass Flow Communicator“ konfigurierbar).

In diesem Betriebszustand wird der Sollwert als Ausgangsgröße für das Ventiltastverhältnis des Proportionalventils verwendet, z. B. Sollwert 10 % → Ventiltastverhältnis = 10 %.

## 9. WARTUNG, STÖRUNGSBESEITIGUNG

### 9.1. Sicherheitshinweise



#### GEFAHR!

Verletzungsgefahr durch hohen Druck in der Anlage!

- Vor dem Lösen von Leitungen und Ventilen den Druck abschalten und Leitungen entleeren.

Verletzungsgefahr durch Stromschlag!

- Bevor die Abdeckungen entfernt werden, Spannungsversorgung abschalten und gegen Wiedereinschalten sichern!
- Die geltenden Unfallverhütungs- und Sicherheitsbestimmungen für elektrische Geräte beachten!



#### WARNUNG!

Verletzungsgefahr bei unsachgemäßer Wartung!

- Die Wartung darf nur von autorisiertem Fachpersonal mit geeignetem Werkzeug durchgeführt werden!

Verletzungsgefahr durch ungewolltes Einschalten der Anlage und unkontrollierten Wiederanlauf!

- Anlage gegen ungewolltes Betätigen sichern.
- Nach der Wartung einen kontrollierten Wiederanlauf gewährleisten.

### 9.2. Wartungsarbeiten

Der LFC / LFM ist bei Betrieb entsprechend den in dieser Anleitung gegebenen Hinweisen wartungsfrei. Eine routinemäßige Neukalibrierung ist nicht erforderlich.



#### ACHTUNG!

Verletzungsgefahr durch Funktionsbeeinträchtigung und Geräteausfall beim Öffnen des Geräts!

Im Inneren des Geräts befinden sich Elemente zur Strömungsanpassung und Durchflussmessung. Ein Eingriff in das Gerät, um es beispielsweise zu reinigen, ist nur wie in Kapitel 9.2.1. *beschrieben, zulässig*.

Weitergehende Eingriffe in das Gerät bewirken eine Änderung des Sensorsignals und machen eine werkseitige Neukalibrierung erforderlich.

- Das Gerät nicht öffnen.
- Eine weiterführende Reinigung als die in Kapitel 9.2.1. beschriebene sowie eine Neukalibrierung dürfen nur vom Hersteller vorgenommen werden.

### 9.2.1. Wartung bei Betrieb mit stark verschmutzten Medien

Wenn nach längerem Betrieb mit einem verschmutzten Medium größere Mengen von Teilchen eingetragen wurden, kann die Edelstahlgitterscheibe gereinigt oder ersetzt und das Blendenrohr gereinigt werden.

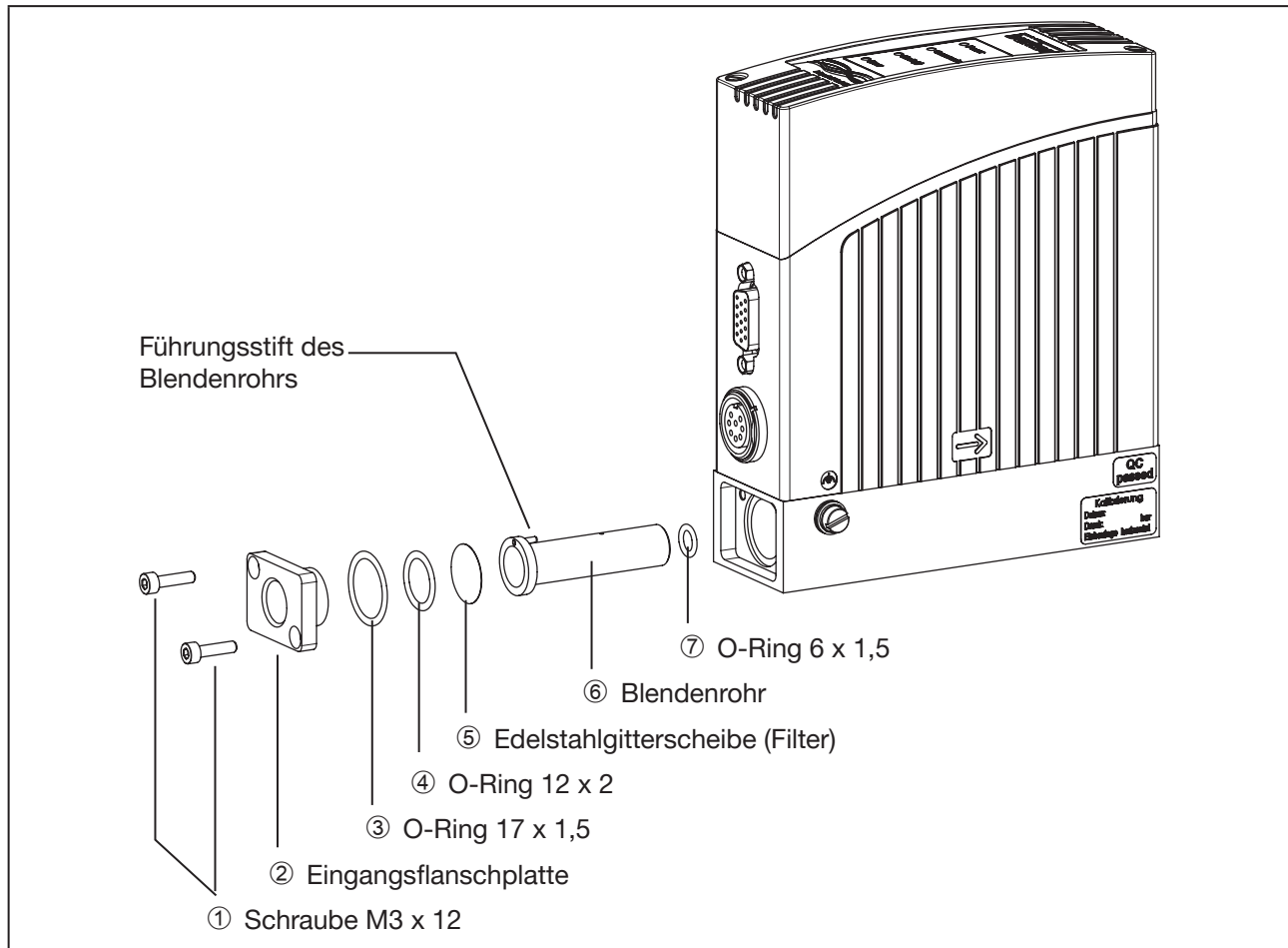


Abb. 11: Wartung, Reinigung

#### Vorgehensweise:

- Für den Zugang zur Edelstahlgitterscheibe die Eingangsflanschplatte ② lösen (siehe Abb. 11:Wartung, Reinigung).
- Edelstahlgitterscheibe und Blendenrohr herausnehmen.
- Edelstahlgitterscheibe / Blendenrohr reinigen.  
Als Reinigungsmittel eignen sich z. B. destilliertes Wasser (kein Leitungswasser), Aceton, Isopropanol oder Druckluft.
- Nach dem Reinigen müssen die Teile trocknen.
- Teile in der richtigen Reihenfolge und lagerichtig wieder einsetzen (siehe Abb. 11: Wartung, Reinigung).
  - Das Blendenrohr ⑥ muss so eingesetzt werden, dass der Führungsstift des Rohrs in die entsprechende Bohrung des Grundblocks eingeführt wird.
  - Das feine Gitter der Edelstahlgitterscheibe ⑤ muss beim Einsetzen zur Eingangsflanschplatte ② zeigen.

### 9.2.2. Werkseitige Reinigung und Neukalibrierung

Ist die Blende zu sehr verschmutzt oder beschädigt, kann das Gerät stärkere Abweichungen vom Durchfluss aufweisen. Dann ist ein werkseitiger Austausch und eine Neukalibrierung erforderlich.

#### HINWEIS!

**Wichtiger Hinweis für die einwandfreie Funktion des Geräts!**

Eine Neukalibrierung sollte nur im Werk durchgeführt werden, da sie sehr genaue Durchflussnormale sowie eine digitale Kommunikation erfordert.

### 9.3. Störungen

Problem	Mögliche Ursache	Abhilfe
Power-LED leuchtet nicht	Keine elektrische Versorgung.	Elektrische Anschlüsse prüfen.
Power-LED blinkt	Die Autotune-Funktion ist aktiv.	Siehe Kapitel 8.3. <i>Funktionen des LFC / LFM.</i>
Power-LED erlischt periodisch	Die Spannungsversorgung bricht periodisch zusammen – Das Gerät führt einen Reset aus.	Spannungsversorgung mit ausreichender Leistung wählen.
	Der Verlust auf der Anschlussleitung ist zu hoch.	Kabelquerschnitt vergrößern. Leitungslänge verringern.
Limit (y)-LED leuchtet	LFC: die Stellgröße des Ventils hat (fast) 100 % erreicht. Der Sollwert kann nicht ausgeregelt werden.	Betriebsdruck erhöhen (maximal zulässigen Versorgungsdruck beachten). Leitungswiderstände überprüfen und gegebenenfalls verringern. Anlagenauslegung überprüfen. In der Leitung verbaute Filter überprüfen und gegebenenfalls reinigen.
	LFM: der Durchfluss-Istwert hat (fast) den Nenndurchfluss erreicht oder überschritten.	Durchfluss verringern.
Limit (y)-LED blinkt	Das Gerät befindet sich in einem anderen Betriebszustand als dem Standardregelbetrieb oder der Autotune-Funktion.	Siehe Kapitel 8.3. <i>Funktionen des LFC / LFM.</i>
Error-LED leuchtet	Es liegt kein schwerwiegender Fehler vor, z. B. wurde die letzte Autotune-Funktion nicht erfolgreich abgeschlossen.	Autotune-Funktion wiederholen oder Fehler durch einen Reset zurücksetzen.

MAN 1000122156 ML Version: F Status: RL (released | freigegeben) printed: 22.08.2024

Problem	Mögliche Ursache	Abhilfe
Error-LED blinkt	Die Restwelligkeit der Versorgungsspannung ist zu hoch.	Spannungsversorgung mit glatter Ausgangsspannung bei der geforderten Leistung verwenden.
	Ein schwerwiegender Fehler ist aufgetreten, z. B. Sensorbruch oder Fehler in der internen Spannungsversorgung.	Das Gerät zur Fehlerbehebung an den Hersteller zurücksenden.
	Der Sensor wurde über dem zulässigen maximalen Betriebsdruck betrieben.	Betriebsdruck senken. Das Gerät zur Fehlerbehebung an den Hersteller zurücksenden.
Kein Durchfluss vorhanden	Der Sollwert liegt unter der Grenze für die Nullpunktabschaltung.	Sollwert auf > 10 % des Nenndurchflusses erhöhen.
	Das Gerät befindet sich in einem anderen Betriebszustand als dem Standardregelbetrieb.	Betriebszustand prüfen, siehe auch Kapitel 8.3. <i>Funktionen des LFC / LFM</i> .
	Die Rohrleitungen sind zu groß dimensioniert oder eventuell noch nicht komplett entlüftet.	Leitungen entlüften. Rohrleitungsdurchmesser ändern.
Istwert schwankt	Kein ordnungsgemäßer FE-Anschluss.	FE mit dem Erdungspunkt verbinden (möglichst kurz, Ader mindestens 2,5 mm <sup>2</sup> ).
	Der Regler muss ständig Störungen einer instabilen Druckversorgung (z. B. durch Pumpen) nachregeln.	Geeigneten Druckregler vorschalten. Pufferbehälter zum Dämpfen von Druckschwankungen installieren.
	Die Restwelligkeit der Versorgungsspannung ist zu hoch.	Spannungsversorgung mit glatter Ausgangsspannung bei der geforderten Leistung verwenden.
Sollwert = 0 %, Durchfluss trotzdem vorhanden	Der Betriebsdruck liegt über dem maximalen Betriebsdruck des Ventils.	Betriebsdruck senken. Das Gerät zur Fehlerbehebung an den Hersteller zurücksenden.
Sollwert = 0 %, Ventil ist geschlossen, kein Durchfluss vorhanden; Istwertausgang zeigt aber geringen Durchfluss an	Die Montageposition des Geräts ist nicht korrekt.	LFC in der kalibrierten Montageposition installieren und eine Autotune-Funktion zur Anpassung an die Betriebsbedingungen durchführen.
	Es wird ein anderes Medium eingesetzt als durch die Kalibrierung vorgesehen.	Gerät zur Neukalibrierung für das Betriebsmedium an den Hersteller zurücksenden.
Sollwert wird nicht erreicht	Der Filter ist verstopft.	Filter reinigen oder tauschen.
	Der Vordruck ist zu niedrig.	Vordruck auf Kalibrierdruck erhöhen.
	Der Rückdruck ist zu hoch.	Ausgangsseitige Anlagenteile auf Verschmutzung überprüfen und gegebenenfalls reinigen.

Tabelle 10: Störungen

## 10. ZUBEHÖR / ERSATZTEILE



### ACHTUNG!

**Gefahr von Verletzungen und/oder Sachschäden durch Benutzung falscher Teile!**

Falsches Zubehör und ungeeignete Ersatzteile können Verletzungen und Schäden am Gerät und dessen Umgebung verursachen

- Nur Originalzubehör sowie Originalersatzteile der Firma Bürkert verwenden.

### 10.1. Zubehör

Für den einwandfreien Betrieb, die Wartung und die Reparatur des Geräts werden in dieser Anleitung die nachstehend genannten Bürkert-Zubehörteile empfohlen.

#### 10.1.1. Elektrisches Zubehör

Typen	Artikel	Bestellnummer
8719, 8709	Rundstecker, 8-pol. (Lötanschluss)	918 299
	Rundstecker, 8-pol., mit 5-m-Kabel, einseitig konfektioniert	787 733
	Rundstecker, 8-pol., mit 10-m-Kabel, einseitig konfektioniert	787 734
	SUB-HD-Stecker, 15-pol., mit 5-m-Kabel, einseitig konfektioniert	787 735
	SUB-HD-Stecker, 15-pol., mit 10-m-Kabel, einseitig konfektioniert	787 736
	RS232-Adapter zum Anschluss eines PC in Verbindung mit einem Verlängerungskabel (Best.Nr. 917039)	654 757
	Verlängerungskabel für RS232, 9-pol., Buchse/Stecker 2 m	917 039
	RS485-Adapter	658 499
	USB-Adapter	670 696
	Konfigurationssoftware (Mass Flow Communicator)	Download von <a href="http://country.burkert.com">country.burkert.com</a>
8718, 8708	Sub-D-Stecker, 15-pol., Lötverbindung	918 274
	Sub-D-Haube für Sub-D Buchse, mit Schraubensicherung	918 408
	Sub-D-Stecker, 15-pol., mit 5-m-Kabel, einseitig konfektioniert	787 737
	Sub-D-Stecker, 15-pol., mit 10-m-Kabel, einseitig konfektioniert	787 738
	RS232-Adapter zum Anschluss eines PC	654 748
	PC-Verlängerungskabel für RS232, 9-pol., Buchse/Stecker, 2 m	917 039
	RS485-Adapter	654 538
	USB-Adapter	670 639
	Konfigurationssoftware (Mass Flow Communicator)	Download von <a href="http://country.burkert.com">country.burkert.com</a>

Tabelle 11: Elektrisches Zubehör

### 10.1.2. Fluidisches Zubehör

Generell bietet Bürkert Einschraubverbindungen nur mit Zoll-Einschraubgewinde an.

Die verwendeten Flanschplatten besitzen daher Zoll-Einschraubgewinde.

Die Rohranschlusseite kann sowohl in metrischen als auch in Zoll-Größen bestellt werden.

Einschraubgewinde nach DIN ISO 228/1	Rohr Ø	Werkstoff	Bestellnummer	Bestellnummer Dichtring
G 1/4	6mm	VA	901 538	901 575
G 1/4	8 mm	VA	901 540	901 575
G 1/4	1/4"	VA	901 551	901 579
G 1/4	3/8"	VA	901 553	901 579

Tabelle 12: Fluidisches Zubehör



**Achtung!**

Zu jeder Verschraubung muss ein Dichtring mitbestellt werden!



Weiteres Zubehör für den fluidischen Anschluss eines LFC / LFM ist unter Typ 1013 im Bürkert-Zubehörcatalog zu finden.

### 10.1.3. Mass Flow Communicator (PC-Software)

Das PC-Programm „Mass Flow Communicator“ ist für die Kommunikation mit den Geräten der Mass Flow Controller- und Liquid Flow Controller-Familien von Bürkert konzipiert.

Es dient zum Konfigurieren sowie zum Auslesen und Schreiben diverser Parameter.



Das Programm läuft auf der Windows-Plattform und benötigt eine serielle Schnittstelle (RS 232) für die Kommunikation mit den LFC / LFM.

Mit Hilfe dieses Programms können verschiedene Einstellungen an den Geräten vorgenommen werden:

- Auslesen gerätespezifischer Informationen
- Ändern der Belegung von Binäreingängen und -ausgängen
- Ändern der LED-Funktionsbelegung
- Aktivierung diverser Funktionen
- Ändern der Dynamikeigenschaften



Eine detaillierte Beschreibung und genaue Auflistung der Vorgehensweise bei der Bedienung der Software „Mass Flow Communicator“ ist der Software-Dokumentation zu finden.

Download der Software von: [country.burkert.com](http://country.burkert.com)



## 10.1.4. Dokumentationen

Bezeichnung	Ident-Nr.	Bestellnummer
Quickstart	805 788	Druckversion 805 788
Bedienungsanleitung	805 765	als Daten auf CD 804 625
Ergänzung zur Bedienungsanleitung für Feldbusgeräte	804 553	
Kontaminationserklärung	806 075	

Tabelle 13: Dokumentationen

## 10.2. Ersatzteile

Für die Typen 8708, 8718, 8709 und 8719 gibt es je nach Dichtwerkstoff verschiedene Ersatzteilsets.

Dichtwerkstoff *)	Bezeichnung	Bestellnummer
EPDM, DA	Dichtungssatz mit EPDM-Filter	208 579
FKM	Dichtungssatz mit FKM-Filter	208 580
FFKM	Dichtungssatz mit FFKM-Filter	208 582

Tabelle 14: Ersatzteilsets



\*) Für den Dichtwerkstoff die Angaben auf dem Typschild beachten!

## 11. AUSSERBETRIEBNAHME

### 11.1. Sicherheitshinweise



#### **GEFAHR!**

**Verletzungsgefahr durch hohen Druck in der Anlage!**

- Vor dem Lösen von Leitungen und Ventilen den Druck abschalten und Leitungen entleeren.

**Gefahr durch austretendes Betriebsmedium!**

Bei Kontakt mit dem Betriebsmedium und dessen Reaktionsprodukten sowie Dämpfen (Berührung, Einatmen) besteht akute Verletzungsgefahr.

- Die geltenden Unfallverhütungs- und Sicherheitsbestimmungen für die verwendeten Betriebsmedien beachten.

**Verletzungsgefahr durch Stromschlag!**

- Bevor die Abdeckungen entfernt werden, Spannungsversorgung abschalten und gegen Wiedereinschalten sichern!
- Die geltenden Unfallverhütungs- und Sicherheitsbestimmungen für elektrische Geräte beachten!



#### **WARNUNG!**

**Verletzungsgefahr bei unsachgemäßer Demontage!**

- Die Demontage darf nur von autorisiertem Fachpersonal mit geeignetem Werkzeug durchgeführt werden!

### 11.2. Demontage des LFC / LFM

**Vorgehensweise:**

- Systemdruck abbauen.
- Spannungsversorgung abschalten.
- Elektrische Verbindungen lösen.
- Fluidische Verbindungen lösen.
- LFC / LFM entleeren.

## 12. VERPACKUNG, LAGERUNG, TRANSPORT

### 12.1. Verpacken, Transportieren

#### HINWEIS!

##### Transportschäden!

Unzureichend geschützte Geräte können beim Transport beschädigt werden.

- Alle Kabel, Anschlüsse, separate Filter und Montagematerial entfernen.
- Kontaminierte Geräte reinigen und entleeren.
- Fluidische Anschlüsse mit Schutzkappen vor Beschädigung schützen und abdichten.
- Gerät in zwei geeignete, verschleißbare Schutzfolienbeutel verpacken.
- Gerät vor Nässe und Schmutz geschützt in einer stoßfesten Verpackung transportieren.
- Eine Über- bzw. Unterschreitung der zulässigen Lagertemperatur vermeiden.

### 12.2. Lagern

#### HINWEIS!

Falsche Lagerung kann zu Schäden am Gerät führen.

- Gerät vor längeren Betriebspausen trockenlegen!
- Gerät trocken und staubfrei lagern!
- Lagertemperatur: -10...+70 °C.

## 13. GERÄT ZURÜCKSENDEN



Zur Rücksendung eines bereits benutzten Geräts ist eine Autorisierungsnummer erforderlich!

Um ein bereits benutztes Gerät an Bürkert zurückzusenden, wie folgt vorgehen:

- Die mit den Originalunterlagen erhaltene Kontaminationserklärung ausfüllen.
- Die Erklärung an die im Formular angegebene Adresse senden.

Bürkert sendet per Fax oder E-Mail eine Autorisierungsnummer für die Rücksendung zu.

- Das Gerät unter Beachtung der Hinweise in Kapitel 12.1. *Verpacken, Transportieren* verpacken.
- Das Gerät mit dieser Autorisierungsnummer und der Kontaminationserklärung an Bürkert zurücksenden.

Adresse:

Bürkert Fluid Control Systems  
Corporate Quality / Complaint Management  
Chr.-Bürkert-Str. 13–17  
D-74653 Ingelfingen  
Tel. + 49 (0) 7940 - 10 91 599  
Fax + 49 (0) 7940 - 10 91 490  
E-Mail: [service.international@burkert.com](mailto:service.international@burkert.com)



Es werden keine Arbeiten oder Untersuchungen am Gerät vorgenommen, solange keine gültige Kontaminationserklärung vorliegt.

Die Kontaminationserklärung kann von unserer Homepage heruntergeladen oder bei Bürkert Ingelfingen angefordert werden.

Bürkert Fluid Control Systems  
Sales Center  
Chr.-Bürkert-Str. 13–17  
D-74653 Ingelfingen  
Tel. + 49 (0) 7940 - 10 91 111  
Fax + 49 (0) 7940 - 10 91 448  
E-Mail: [info@de.buerkert.com](mailto:info@de.buerkert.com)

[country.burkert.com](http://country.burkert.com)

## 14. ENTSORGUNG

### Umweltgerechte Entsorgung



- Nationale Vorschriften bezüglich Entsorgung und Umwelt beachten.
- Elektrische und elektronische Geräte separat sammeln und speziell entsorgen.

Weitere Informationen unter: [country.burkert.com](https://country.burkert.com).



## LFC, régulateur de débit liquide Type 8718, 8719

### LFM, débitmètre de liquide Type 8708, 8709

#### SOMMAIRE

<b>1.</b>	<b>MANUEL D'UTILISATION .....</b>	<b>106</b>
1.1.	<b>Symboles.....</b>	<b>106</b>
<b>2.</b>	<b>UTILISATION CONFORME.....</b>	<b>107</b>
2.1.	<b>Limitations.....</b>	<b>107</b>
2.2.	<b>Mauvaise utilisation prévisible .....</b>	<b>107</b>
<b>3.</b>	<b>CONSIGNES DE SÉCURITÉ FONDAMENTALES .....</b>	<b>108</b>
<b>4.</b>	<b>INDICATIONS GÉNÉRALES .....</b>	<b>109</b>
4.1.	<b>Fourniture .....</b>	<b>109</b>
4.2.	<b>Garantie légale .....</b>	<b>109</b>
4.3.	<b>Marques déposées .....</b>	<b>109</b>
4.4.	<b>Informations sur Internet .....</b>	<b>110</b>
<b>5.</b>	<b>DESCRIPTION DU SYSTÈME .....</b>	<b>111</b>
<b>5.1.</b>	<b>Description générale.....</b>	<b>111</b>
5.1.1.	<b>LFC, régulateur de débit liquide .....</b>	<b>111</b>
5.1.2.	<b>LFM, régulateur de débit liquide.....</b>	<b>111</b>
<b>5.2.</b>	<b>Fonctions.....</b>	<b>111</b>
5.2.1.	<b>Fonction du LFC, régulateur de débit liquide .....</b>	<b>111</b>
5.2.2.	<b>Fonction du LFM, Débitmètre de liquide .....</b>	<b>112</b>
5.2.3.	<b>Fonctionnement du capteur.....</b>	<b>112</b>
5.2.4.	<b>Électronique de régulation.....</b>	<b>113</b>
<b>5.3.</b>	<b>Électrovanne proportionnelle .....</b>	<b>115</b>

<b>6.</b>	<b>CARACTÉRISTIQUES TECHNIQUES.....</b>	<b>116</b>
6.1.	Marquages au niveau de l'appareil .....	116
6.1.1.	Informations sur l'étiquette signalétique / Étiquette d'étalonnage .....	116
6.2.	Conditions d'utilisation .....	117
6.3.	Normes et directives .....	117
6.4.	Caractéristiques mécaniques .....	118
6.5.	Encombrement .....	119
6.6.	Données fluidiques .....	125
6.7.	Caractéristiques électriques .....	125
<b>7.</b>	<b>INSTALLATION ET MISE EN SERVICE .....</b>	<b>127</b>
7.1.	Consignes de sécurité .....	127
7.2.	Mesures avant l'installation .....	127
7.3.	Ordre des opérations à réaliser .....	128
7.4.	Installation fluide .....	128
7.5.	Installation électrique.....	129
7.5.1.	Réglage de l'adresse bus sur les appareils sans commutateur rotatif pour le réglage de l'adresse .....	130
7.5.2.	Réglage de l'adresse de bus sur les appareils avec commutateur rotatif pour le réglage de l'adresse (types 8718 / 8708).....	130
7.5.3.	Affectation de broches.....	131
<b>8.</b>	<b>UTILISATION ET FONCTIONNEMENT .....</b>	<b>134</b>
8.1.	Consignes de sécurité .....	134
8.2.	Utilisation du LFC / LFM.....	134
8.2.1.	DEL .....	135
8.2.2.	Entrées/Sorties .....	135
8.3.	Fonctions du LFC / LFM .....	138
8.3.1.	Mode de régulation standard.....	139
8.3.2.	Fonction Autotune .....	139
8.3.3.	Fonction de sécurité .....	140
8.3.4.	Profil valeur de consigne .....	140
8.3.5.	Mode de commande .....	140



<b>9.</b>	<b>MAINTENANCE, DÉPANNAGE .....</b>	<b>141</b>
<b>9.1.</b>	<b>Consignes de sécurité .....</b>	<b>141</b>
<b>9.2.</b>	<b>Maintenance.....</b>	<b>141</b>
9.2.1.	Maintenance lors du fonctionnement avec des fluides fortement encrassés .....	142
9.2.2.	Nettoyage et nouvel étalonnage en usine .....	143
<b>9.3.</b>	<b>Pannes.....</b>	<b>143</b>
<b>10.</b>	<b>ACCESSOIRES / PIÈCES DE RECHANGE .....</b>	<b>145</b>
<b>10.1.</b>	<b>Accessoires.....</b>	<b>145</b>
10.1.1.	Accessoires électriques.....	145
10.1.2.	Accessoires fluidiques.....	146
10.1.3.	Mass Flow Communicator (logiciel PC).....	146
10.1.4.	Documentation .....	147
<b>10.2.</b>	<b>Pièces de rechange .....</b>	<b>147</b>
<b>11.</b>	<b>MISE HORS-SERVICE.....</b>	<b>148</b>
<b>11.1.</b>	<b>Consignes de sécurité .....</b>	<b>148</b>
<b>11.2.</b>	<b>Démontage du LFC / LFM .....</b>	<b>148</b>
<b>12.</b>	<b>EMBALLAGE, STOCKAGE, TRANSPORT .....</b>	<b>149</b>
<b>12.1.</b>	<b>Emballage, Transport.....</b>	<b>149</b>
<b>12.2.</b>	<b>Stockage .....</b>	<b>149</b>
<b>13.</b>	<b>RENOI .....</b>	<b>150</b>
<b>14.</b>	<b>DÉMANTÈLEMENT .....</b>	<b>151</b>

# 1. MANUEL D'UTILISATION

Le manuel d'utilisation décrit le cycle de vie complet de l'appareil. Conserver ce document de sorte à ce qu'il soit accessible à tout utilisateur et à disposition de tout nouveau propriétaire.



## AVERTISSEMENT !

Le manuel d'utilisation contient des informations importantes sur la sécurité !

Le non-respect de ces consignes peut entraîner des situations dangereuses.

- Le manuel d'utilisation doit être lu et compris.

## 1.1. Symboles



### DANGER !

Met en garde contre un danger imminent !

- Le non-respect peut entraîner la mort ou de graves blessures.



### AVERTISSEMENT !

Met en garde contre une situation éventuellement dangereuse !

- Risque de blessures graves, voire la mort en cas de non-respect.



### ATTENTION !

Met en garde contre un risque possible !

- Le non-respect peut entraîner des blessures légères ou de moyenne gravité.

### REMARQUE !

Met en garde contre des dommages matériels !

- L'appareil ou l'installation peut être endommagé(e) en cas de non-respect.



indique des informations supplémentaires importantes, des conseils et des recommandations..



renvoie à des informations dans ce manuel d'utilisation ou dans d'autres documentations.

→ indique une opération à effectuer.

## 2. UTILISATION CONFORME

L'utilisation non conforme des LFC / LFM types 8718, 8719 / 8708, 8709 peut présenter des dangers pour les personnes, les installations proches et l'environnement.

- Les LFC types 8718 et 8719 sont prévus pour la régulation de débit de liquides propres et faiblement visqueux.
- Les LFM types 8708 et 8709 servent exclusivement à la mesure du débit de liquides propres et faiblement visqueux.
- Seuls les fluides spécifiés sur l'étiquette signalétique et dans le protocole d'étalonnage peuvent être utilisés.
- L'appareil ne doit pas être exposé aux intempéries sans protection. Protéger l'appareil contre l'humidité et le rayonnement solaire direct, respecter la température ambiante admissible.
- Lors de l'utilisation, respecter les données et limites de fonctionnement spécifiées dans les documents contractuels et le manuel d'utilisation ainsi que les domaines d'utilisation décrits au chapitre 5.7.
- Les conditions nécessaires à une utilisation sûre et parfaite sont un transport, un stockage et une installation dans les règles ainsi qu'une parfaite utilisation et maintenance.
- Veiller à ce que l'utilisation de l'appareil soit toujours conforme.

### 2.1. Limitations

Lors de l'exportation du système/de l'appareil, respecter les limitations éventuelles existantes.

### 2.2. Mauvaise utilisation prévisible

- Les LFC / LFM types 8718, 8719 / 8708, 8709 ne peuvent pas être utilisés pour la régulation de débit / la mesure du débit de fluides contenant des particules (taille des particules > 20 µm).
- Ne pas utiliser l'appareil sans la tôle ronde de la grille en acier inoxydable montée en usine.
- N'injecter dans le système aucun fluide autre que celui indiqué sur l'étiquette signalétique de l'appareil. Exception : produit de nettoyage et de décontamination de l'appareil (voir également chapitre 9.2.1.). Tenir compte de la résistance des matériaux utilisés pour l'appareil. Un tableau des résistances (Chemical Resistance Chart) est disponible sur Internet sous : [country.burkert.com](http://country.burkert.com)  
En cas de doute, contacter le fabricant.
- Ne pas utiliser l'appareil dans une position de montage autre que celle correspondant aux conditions d'étalonnage.
- Ne pas soumettre le corps à des contraintes mécaniques (par ex. pour déposer des objets ou en l'utilisant comme marche).
- Ne pas apporter de modifications au corps de l'appareil. Ne pas laquer les pièces du corps et les vis.

### 3. CONSIGNES DE SÉCURITÉ FONDAMENTALES

Ces consignes de sécurité ne tiennent pas compte

- des dangers et des événements pouvant survenir lors du montage, de l'exploitation et de l'entretien des appareils.
- des prescriptions de sécurité locales que l'exploitant est tenu de faire respecter par le personnel chargé du montage.



#### Danger dû à la haute pression !

- Avant de desserrer les conduites et les vannes, couper la pression et vider les conduites.

#### Danger dû à la tension électrique !

- Avant d'intervenir dans l'appareil ou l'installation, couper l'alimentation et empêcher toute remise sous tension par inadvertance !
- Respecter les réglementations en vigueur pour les appareils électriques en matière de prévention des accidents ainsi qu'en matière de sécurité !

#### Risque de fuite du liquide de fonctionnement !

- En cas de contact avec le liquide de fonctionnement et ses produits de réaction, notamment sous forme de vapeur (contact, inhalation), il existe un risque accru de blessure.
- Respecter les réglementations en vigueur pour les fluides d'exploitation utilisés en matière de prévention des accidents ainsi qu'en matière de sécurité.

#### Situations dangereuses d'ordre général.

Pour prévenir les blessures, respecter ce qui suit :

- L'installation ne peut pas être effectuée involontairement.
- Les travaux d'installation et de maintenance doivent être effectués uniquement par des techniciens qualifiés et habilités disposant de l'outillage approprié.
- Après une interruption de l'alimentation électrique ou du fluide, un redémarrage défini ou contrôlé du process doit être garanti.
- L'appareil doit être utilisé uniquement en parfait état et en respectant la notice d'utilisation.
- Les règles élémentaires de la technique doivent être respectées pour planifier l'utilisation et utiliser l'appareil.

#### REMARQUE !

##### Éléments/sous-groupes sujets aux risques électrostatiques !

L'appareil contient des éléments électroniques sensibles aux décharges électrostatiques (ESD). Ces éléments sont affectés par le contact avec des personnes ou des objets ayant une charge électrostatique. Au pire, ils sont immédiatement détruits ou tombent en panne après mise en service.

- Respecter les exigences selon EN 61340-5-1 et 5-2 pour minimiser ou éviter la possibilité d'un dommage causé par une soudaine décharge électrostatique !
- Veiller également à ne pas toucher les éléments électroniques lorsqu'ils sont sous tension !



Les LFC / LFM types 8718, 8719 / 8708, 8709 ont été développés dans le respect des règles reconnues en matière de sécurité et correspondent à l'état actuel de la technique. Néanmoins, des risques peuvent se présenter.

Le non-respect de ce manuel d'utilisation avec ses consignes ainsi que les interventions non autorisées sur l'appareil excluent toute responsabilité de notre part et entraînent la nullité de la garantie légale concernant les appareils et les accessoires !

## 4. INDICATIONS GÉNÉRALES

### 4.1. Fourniture

S'assurer que le contenu n'est pas endommagé et correspond au bon de livraison ou à la liste de matériel en ce qui concerne le type et la quantité.

En cas de différences, nous contacter immédiatement.

#### Allemagne

Adresse :

Bürkert Fluid Control Systems  
 Sales Center  
 Chr.-Bürkert-Str. 13–17  
 D-74653 Ingelfingen  
 Tél. + 49 (0) 7940 - 10 91 111  
 Fax + 49 (0) 7940 - 10 91 448  
 E-mail : info@de.buerkert.com

#### International

Les adresses se trouvent aux dernières pages du manuel d'utilisation.

Également sur internet sous :

[country.burkert.com](http://country.burkert.com)

### 4.2. Garantie légale

Cet imprimé ne contient aucune promesse de garantie. A cet effet, nous renvoyons à nos conditions générales de vente et de livraison. La condition pour bénéficier de la garantie légale est l'utilisation conforme des LFC / LFM types 8718, 8719 / 8708, 8709 dans le respect des conditions d'utilisation spécifiées.



La garantie ne couvre que l'absence de défaut des LFC / LFM types 8718, 8719 / 8708, 8709 et de leurs composants.

Nous déclinons toute responsabilité pour les dommages de toute nature qui résultent de la panne ou du dysfonctionnement de l'appareil.

### 4.3. Marques déposées

Les marques mentionnées sont des marques déposées des sociétés / associations / organisations concernées

PROFIBUS PROFIBUS Nutzerorganisation e. V.

CANopen CiA CAN in Automation

## 4.4. Informations sur Internet

Les manuels d'utilisation et les fiches techniques concernant les types 8718, 8719, 8708 et 8709 se trouvent sur Internet sous :

[country.burkert.com](http://country.burkert.com)

Par ailleurs, une documentation complète est disponible sur CD ; elle peut être commandée sous le numéro d'identification 804 625.

## 5. DESCRIPTION DU SYSTÈME

### 5.1. Description générale

Les LFC / LFM types 8718, 8719 / 8708, 8709 sont des appareils destinés à la régulation et à la mesure du débit des liquides dans la technologie des procédés de fabrication.

Les appareils sont spécifiés pour la régulation et la mesure des débits faibles.

#### 5.1.1. LFC, régulateur de débit liquide

La valeur effective du débit fournie par le capteur intégré est comparée à la valeur de consigne du débit, prescrite par le signal normalisé ou le bus de terrain, par l'électronique de régulation numérique. De même, la valeur effective du débit est exportée par le signal normalisé ou le bus de terrain.

En cas d'écart de régulation, la grandeur de réglage émise au niveau de la vanne proportionnelle est modifiée grâce à un algorithme de régulation. La valeur réelle est ainsi comparée au débit de consigne et le débit peut être maintenu sur une valeur constante, indépendamment des modifications de pression ou d'autres perturbations dans l'installation, ou un profil prescrit suivi.

Une électrovanne proportionnelle fonctionnant sans frottements et ayant une sensibilité de fonctionnement élevée est utilisée en tant qu'élément de réglage.

#### 5.1.2. LFM, régulateur de débit liquide

La valeur effective du débit fournie par le capteur intégré est émise via le signal normalisé ou le bus de terrain.

### 5.2. Fonctions

#### 5.2.1. Fonction du LFC, régulateur de débit liquide

Les LFC types 8718 et 8719 sont des appareils compacts destinés à la régulation du débit des liquides.

Ils régulent une valeur de consigne du débit prescrite, indépendamment des grandeurs perturbatrices telles que les variations de pression ou les modifications des résistances d'écoulement dans le temps, par exemple suite à un encrassement du filtre.

Le régulateur de débit liquide contient les composants suivants :

- capteur de débit (capteur Q),
- électronique de régulation (avec les fonctions traitement de signal, régulation et commande de vanne),
- électrovanne proportionnelle en tant qu'élément de réglage.

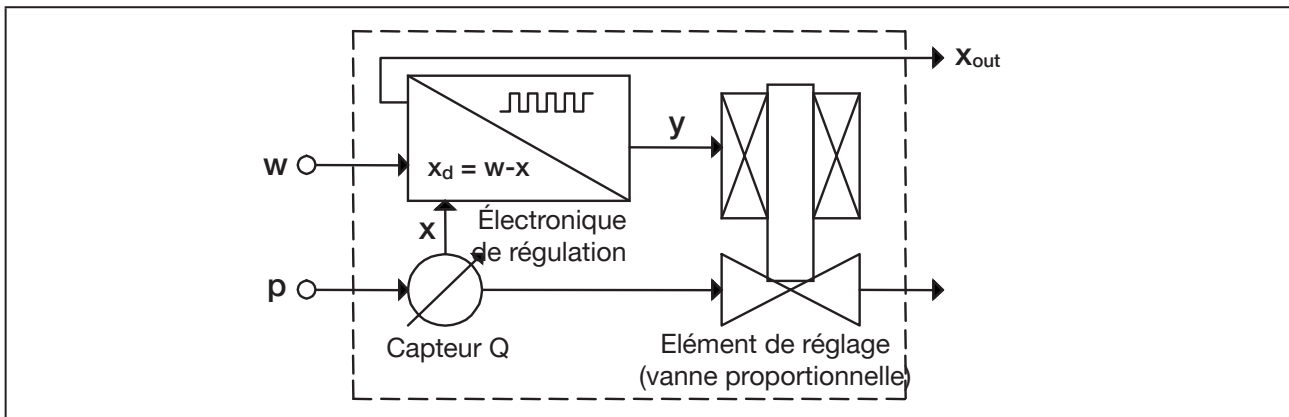


Fig. 1 : Composants du régulateur de débit liquide

### Mode de fonctionnement

La consigne ( $w$ ) est définie de manière électrique via un signal normalisé ou un bus de terrain. La valeur effective enregistrée par le capteur ( $x$ ) est comparée à la valeur de consigne dans le régulateur. Un signal de tension PWM est transmis par le régulateur à l'élément de réglage en tant que grandeur de réglage. Le taux d'impulsions du signal de tension varie en fonction de l'écart de régulation défini.

De plus, la valeur effective  $x_{out}$  est exportée par l'intermédiaire d'une interface électrique analogique ou d'un bus de terrain et est à la disposition de l'utilisateur pour des contrôles ou d'autres évaluations (détermination de la consommation par intégration par exemple).

### 5.2.2. Fonction du LFM, Débitmètre de liquide

Par rapport aux LFC de type 8718 et 8719, les LFM de type 8708 et 8709 ne disposent pas de la composante électrovanne proportionnelle.

C'est pourquoi les appareils peuvent uniquement mesurer le débit sans le réguler.

Les propriétés des autres composants notamment du capteur décrites par la suite, sont identiques à celles des types LFC.

### 5.2.3. Fonctionnement du capteur

La mesure du débit est réalisée selon une méthode de pression différentielle.

Un diaphragme de mesure dans le canal principal crée, lors du passage du débit, une chute de pression de  $p_1$  à  $p_2$ , qui est détectée par le capteur de pression différentielle présent (voir Fig.2: Mesure du débit; méthode de pression différentielle). Le capteur de pression différentielle composé de deux cellules individuelles de mesure de pression fournit un signal de mesure précis compensé thermiquement, à partir duquel le débit est calculé.

Indépendamment de l'état de régulation, la valeur de débit actuelle mesurée par le capteur est émise de manière analogique via la sortie du signal normalisé ou de manière numérique via l'interface du bus de terrain.



Pour obtenir un signal de sortie de la valeur effective dynamique ou uniforme, il est possible de modifier l'amortissement du signal de sortie à l'aide du logiciel « Mass Flow Communicator » (voir chapitre 10.1.3. Mass Flow Communicator (logiciel PC)).



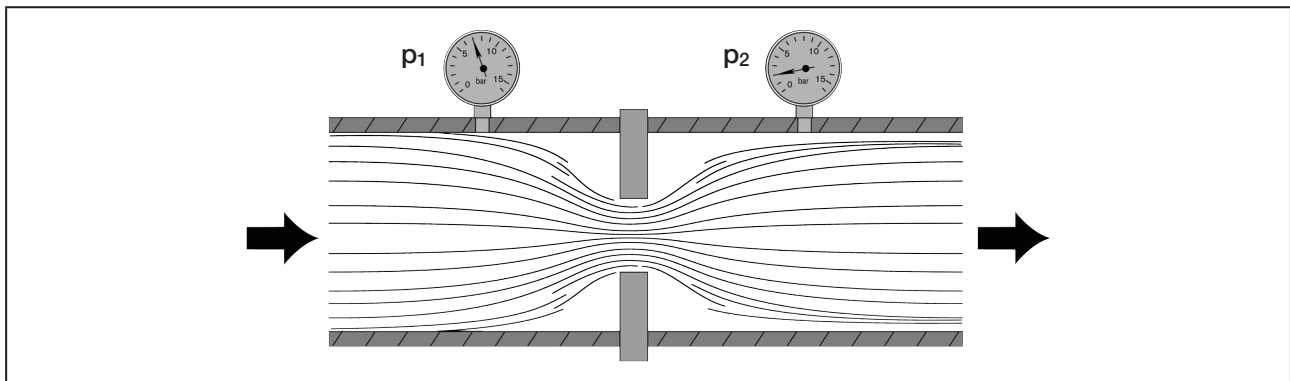


Fig. 2 : Mesure du débit ; méthode de pression différentielle

#### Propriétés de la méthode de pression différentielle

- Cette méthode de mesure présente des temps de réponse très courts et permet donc des vitesses d'échantillonnage très courtes grâce à l'électronique de régulation.
- La mesure est réalisée de manière statique, aucune pièce mobile n'est nécessaire dans le fluide.

#### 5.2.4. Électronique de régulation

Le traitement des débits de consigne et réels actuels, et l'activation de l'élément de réglage sont réalisés par une électronique de microprocesseur.

Le signal du capteur est traité par l'électronique de régulation et converti en une valeur correspondant au débit réel à l'aide de la courbe d'étalonnage enregistrée dans l'appareil.

Pour la régulation des procédés critiques, dans lesquels les modifications rapides du débit ne sont pas admises, il est possible, à l'aide du logiciel « Mass Flow Communicator », d'activer une fonction de rampe (voir chapitre 10.1.3. *Mass Flow Communicator (logiciel PC)*).

Les paramètres pour une valeur de consigne croissante et une valeur de consigne décroissante peuvent être réglés séparément.



Pour de plus amples informations concernant la fonction de rampe ainsi que toutes les autres fonctions, consulter la documentation du logiciel pour LFC / LFM.

#### Écart de régulation :

Écart de régulation = Valeur de consigne – Valeur effective

$X_d$  =  $W$  –  $X$

L'écart de régulation est traité selon un algorithme de régulations PI.

Les paramètres de régulation sont réglés en usine.

Pour prendre en compte les propriétés de la boucle de régulation, le régulateur fonctionne avec les facteurs d'amplification dépendants de la boucle. Ils sont déterminés automatiquement lors du déroulement de la fonction Autotune.

### Paramètres de régulation :

L'appareil contient un paramètre qui permet de modifier la dynamique de régulation à l'aide du logiciel « Mass Flow Communicator » (voir chapitre 10.1.3. *Mass Flow Communicator (logiciel PC)*). Ses valeurs extrêmes sont

1. un réglage extrêmement rapide, avec des suroscillations le cas échéant,
2. un réglage plus lent sur le débit souhaité.

Le premier peut conduire au fait que le régulateur réagit déjà à de très faibles écarts de régulation, la régulation pouvant alors être très irrégulière.

Dans le cas des processus moins dynamiques, le comportement du régulateur peut être amorti, de manière à ne réguler que lentement les plus petites variations de la valeur effective ou de la valeur de consigne.

### Grandeur de réglage :

La grandeur de réglage est éditée sous forme de signal PWM au niveau de l'électrovanne proportionnelle. La fréquence de ce signal est adaptée à la vanne utilisée.

Le rapport cyclique du signal PWM sert de grandeur de commande.

Le rapport cyclique est le rapport entre la durée de fonctionnement et la durée de la période.

Plus la durée de fonctionnement est élevée, c'est-à-dire plus la bobine de la vanne est activée pendant une longue période, plus le courant de bobine moyen sera élevé. Le courant de bobine est à l'origine du champ magnétique résultant dans la bobine.

Un courant de bobine élevé conduit à un champ magnétique élevé et augmente ainsi la force magnétique de la vanne, qui fait ensuite monter le plongeur (également appelé noyau de vanne) contre la force du ressort.

### Temps de régulation :

Grâce à la vitesse de réaction rapide de l'électrovanne proportionnelle en tant qu'élément de réglage et au temps de réponse court de l'élément de mesure, il est possible d'atteindre un temps de régulation total court (voir chapitre 6.6. *Données fluidiques*).

### Déclenchement au point zéro :

Pour garantir la fonction de fermeture étanche de la vanne, un déclenchement au point zéro est intégré. Ce dernier devient actif lorsque les conditions suivantes se produisent simultanément :

Valeur de consigne < 10 % du débit nominal $Q_{nom}$	et	Valeur effective < 10 % du débit nominal $Q_{nom}$
---	----	--



Lorsque le déclenchement au point zéro est actif, le signal PWM est réglé sur 0 % de sorte à ce que la vanne soit fermée complètement.

Il s'agit d'une électrovanne à action directe, fermée en l'absence de courant.

Un ressort de rappel presse le plongeur sur le siège de la vanne et le ferme, dans la mesure où la bobine n'est pas activée, et ne peut donc pas générer de force magnétique opposée à la force du ressort de rappel.

Grâce à un joint de siège flexible intégré dans le plongeur, celle-ci peut bloquer le courant du fluide en toute fiabilité.

### Valeur de consigne:

En fonction de la version de l'appareil, la valeur de consigne est appliquée via l'entrée du signal normalisé comme signal analogique ou numérique via l'interface série ou l'interface bus de terrain.

## 5.3. Électrovanne proportionnelle

Dans les LFC, des électrovannes proportionnelles à action directe, issues du programme de vannes Bürkert, sont utilisées comme éléments de réglage.

Le guidage sans frottements de l'induit de vanne déplacé permet de garantir, en liaison avec la commande PWM, une caractéristique constante, pratiquement linéaire, ainsi qu'une sensibilité de fonctionnement élevée. Ces deux points sont importants pour le fonctionnement optimal dans un circuit de régulation fermé du LFC.

Les diamètres nominaux des vannes proviennent du débit nominal exigé  $Q_{nom}$ , des conditions de pression dans l'application et de la densité du fluide d'exploitation.

À l'aide de ces données, le fabricant sélectionne une électrovanne proportionnelle de sorte que le coefficient de débit  $k_v$  du LFC permette un débit maximal correspondant au moins au débit nominal exigé  $Q_{nom}$  en fonction des équations de débit pour les conditions de débit spécifiées.



Si l'appareil est utilisé dans la plage de pression spécifiée, l'électrovanne proportionnelle assure également la fonction de fermeture étanche, en plus de la fonction de régulation.

La fonction d'étanchéité peut, dans certains cas, ne plus être garantie pour des matériaux de joint durs spéciaux. Dans ce cas, une vanne d'arrêt supplémentaire peut être nécessaire.



Le LFC ou le LFM est généralement calibré sur les unités judicieuses pour les petits débits, par exemple l/h ou ml/min.

## 6. CARACTÉRISTIQUES TECHNIQUES

### ⚠ ATTENTION !

Risque de blessures dû à la pression et à la sortie de fluide.

Les indications techniques importantes spécifiques de l'appareil figurent sur l'étiquette signalétique et sur l'étiquette d'étalonnage (voir chapitre 6.1.1. Informations sur l'étiquette signalétique / Étiquette d'étalonnage).

- Respecter le fluide admissible indiqué sur l'étiquette signalétique (en fonction du matériau du joint).
- Respecter la plage de pression admissible indiquée sur l'étiquette d'étalonnage de l'appareil.

### 6.1. Marquages au niveau de l'appareil

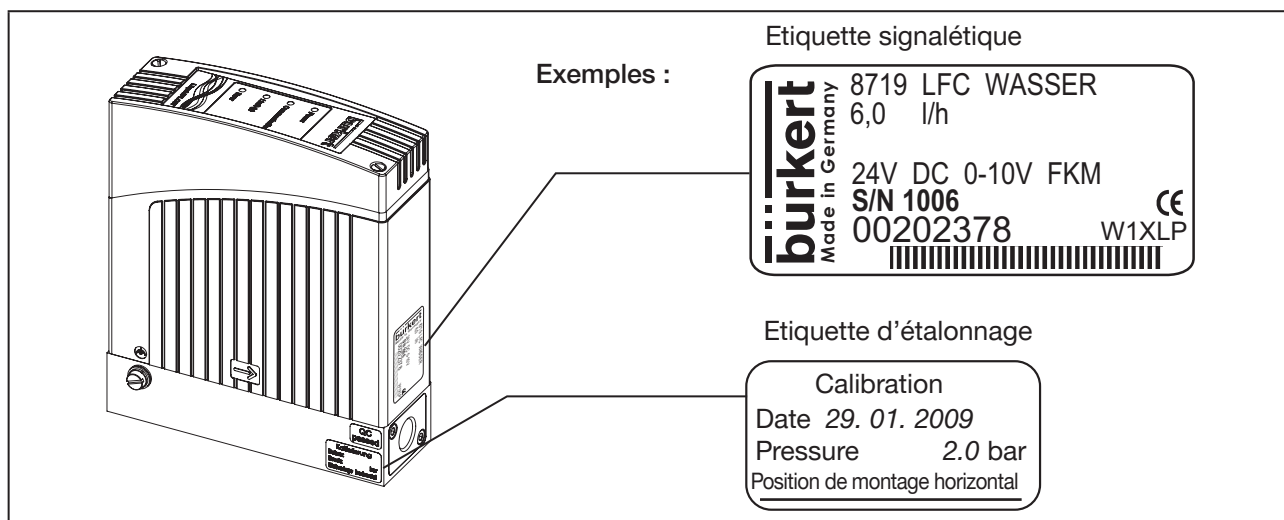
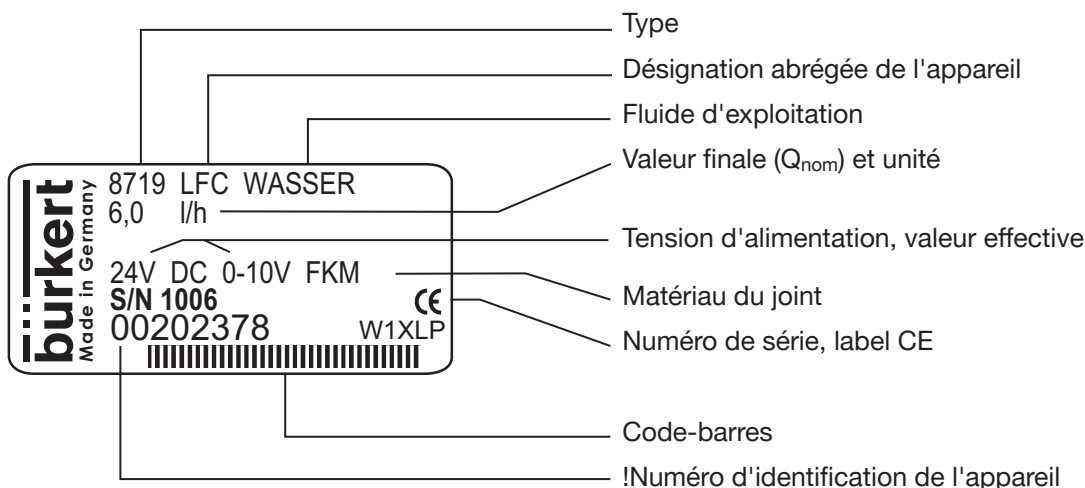


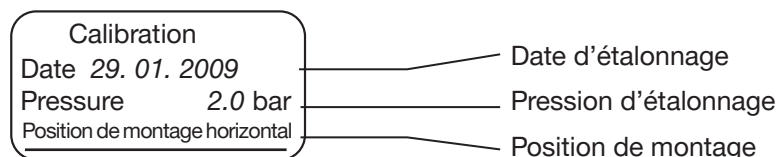
Fig. 3 : Etiquette signalétique, étiquette d'étalonnage

#### 6.1.1. Informations sur l'étiquette signalétique / Étiquette d'étalonnage

Exemple d'étiquette signalétique



Exemple d'étiquette d'étalonnage



## 6.2. Conditions d'utilisation



### AVERTISSEMENT !

**Risque de blessures en cas de panne due aux conditions atmosphériques !**

Le LFC / LFM n'est pas conçu pour être utilisé sans restrictions à l'extérieur.

Risque de blessures suite à la panne de l'appareil en cas d'exposition aux intempéries sans protection.

- Protéger l'appareil contre le rayonnement solaire direct.
- Respecter la température ambiante admise pour l'appareil.
- Protéger l'appareil contre l'humidité en prenant en compte le type de protection indiqué par la suite.

### Températures admissibles

Température ambiante :	Fonctionnement :	0...+55 °C
	Stockage :	+10...+70 °C
Température du fluide :		+10...+40 °C
Humidité de l'air admissible :		0...95 %, sans condensation
Fluides d'exploitation :		fluides propres et faiblement visqueux
Type de protection selon DIN EN 60529 :	Types 8709 et 8719 :	IP65 (uniquement avec câbles et connecteurs branchés correctement)
	Types 8708 et 8718 :	IP40

## 6.3. Normes et directives

Label CE conforme à la directive CEM 2004/108/CE (précédemment : 89/336/CEE) (uniquement avec câbles et connecteurs branchés correctement).

L'appareil est conforme aux exigences applicables de la législation d'harmonisation de l'UE. En outre, l'appareil répond également aux exigences de la législation du Royaume-Uni.

La version actuelle de la déclaration de conformité de l'UE / UK Declaration of Conformity comprend les normes harmonisées qui ont été appliquées dans la procédure d'évaluation de la conformité

## 6.4. Caractéristiques mécaniques

Position de montage :	horizontale ou verticale (voir étiquette d'étalonnage / protocole d'étalonnage)
Matériau :	Boîtier : Types 8709 et 8719 : Acier inoxydable 1.4404 Types 8708 and 8718 : Acier inoxydable 1.4404  Couvercle : Types 8709 et 8719 : PBT Types 8708 et 8718 : PC
Matériau d'étanchéité	FKM, EPDM, FFKM (voir étiquette signalétique)
Poids :	Types 8709 et 8719 : env. 1200 g (acier inoxydable) Types 8708 et 8718 : env. 1000 g (acier inoxydable)
Dimensions : (L x H x l)	Types 8709 et 8719 : 115 mm x 137,5 mm x 37 mm Types 8708 et 8718 : 107 mm x 115,5 mm x 28 mm Types 8708 et 8718 avec raccord à bride : 107 mm x 115,5 mm x 43 mm

## 6.5. Encombrement

LFC type 8719 et LFM type 8709 :

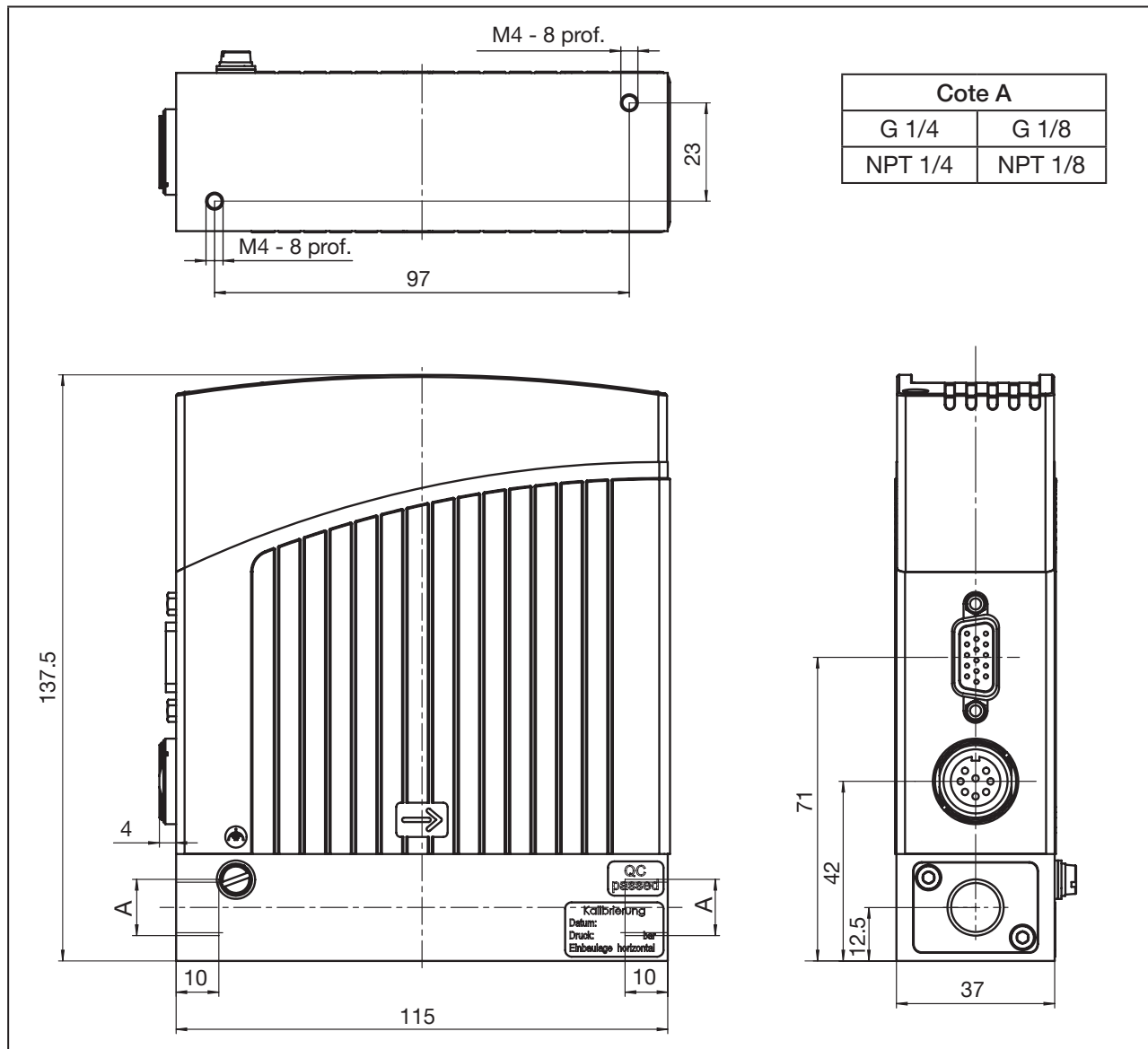


Fig. 4 : Encombrement LFC type 8719 et LFM type 8709

LFC type 8719 et LFM type 8709, version bus de terrain :

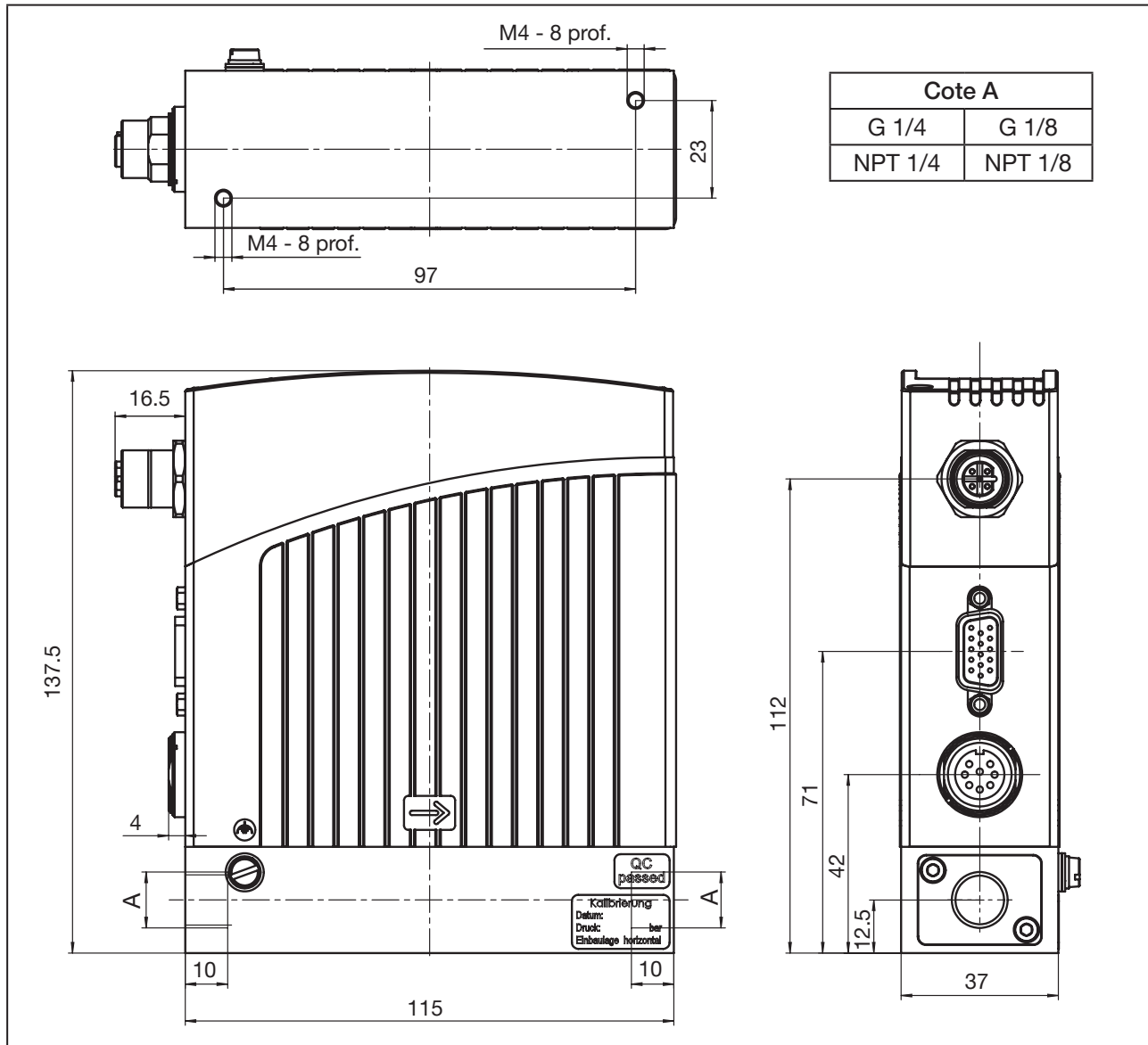


Fig. 5 : Encombrement LFC type 8719 et LFM type 8709, version bus de terrain



LFC type 8718 et LFM type 8708 :

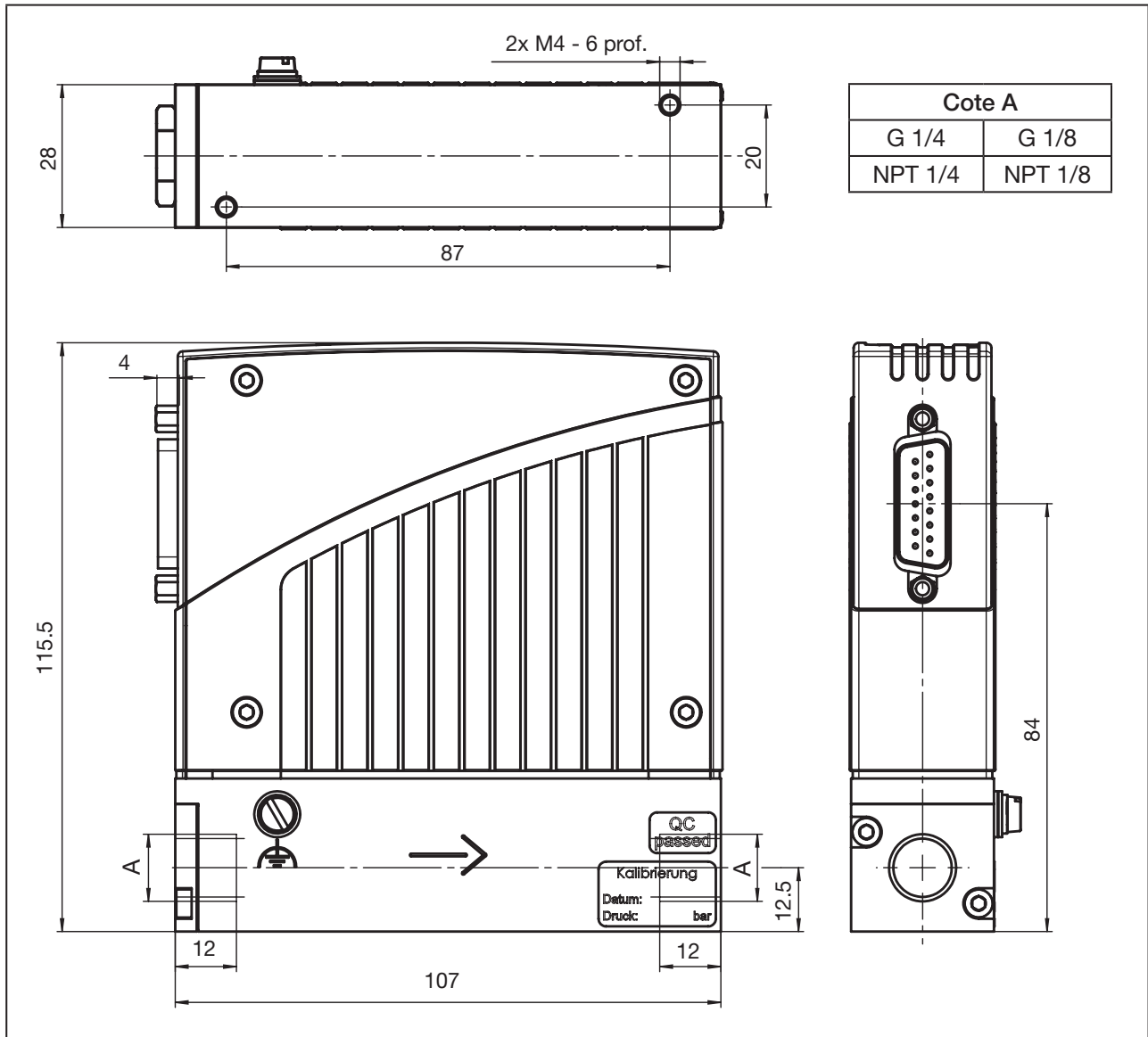


Fig. 6 : Encombrement LFC type 8718 et LFM type 8708

LFC type 8718 et LFM type 8708, avec raccord à bride :

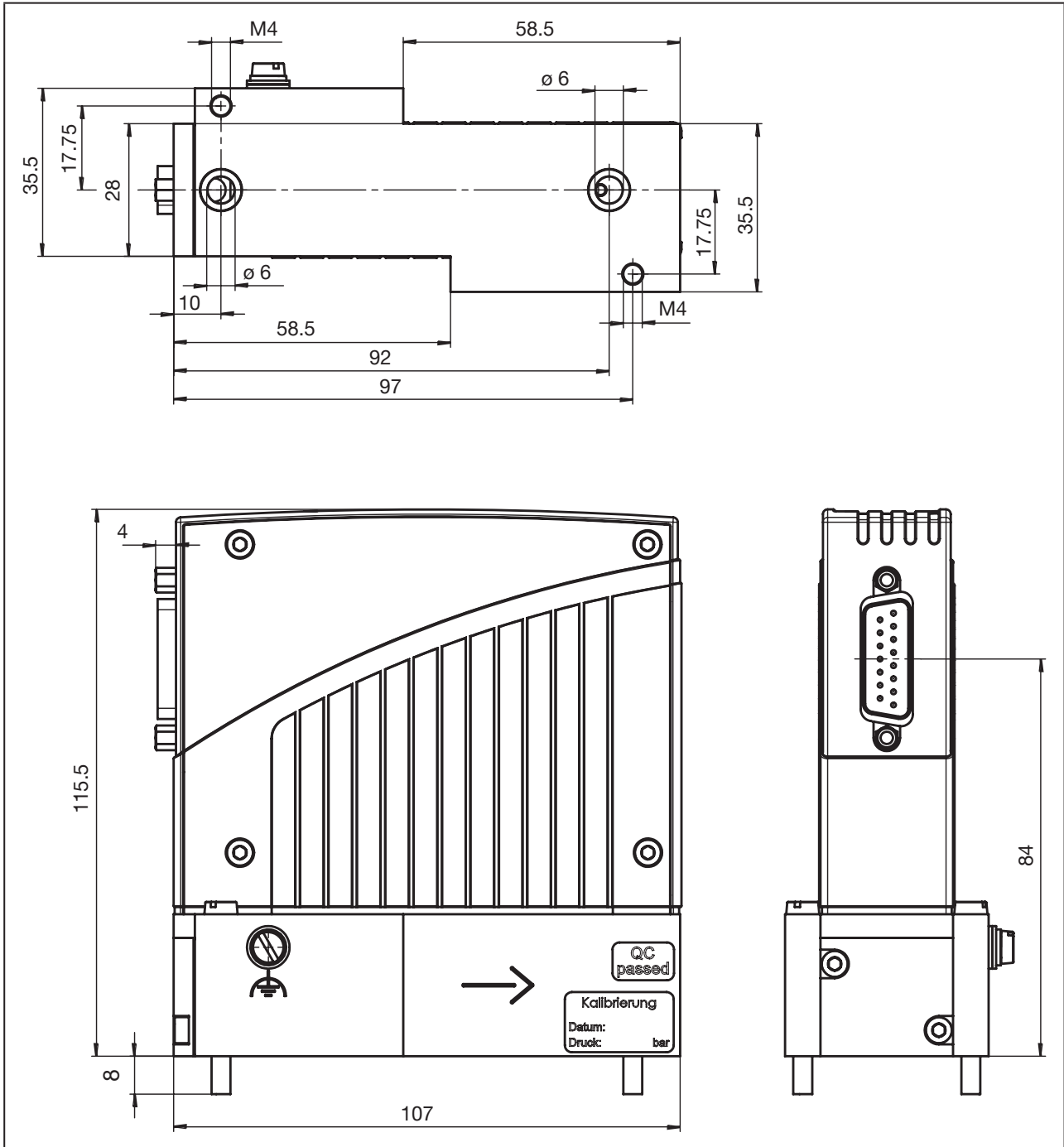


Fig. 7 : Encombrement LFC type 8718 et LFM type 8708, avec raccord à bride

LFC type 8718 et LFM type 8708, version bus de terrain :

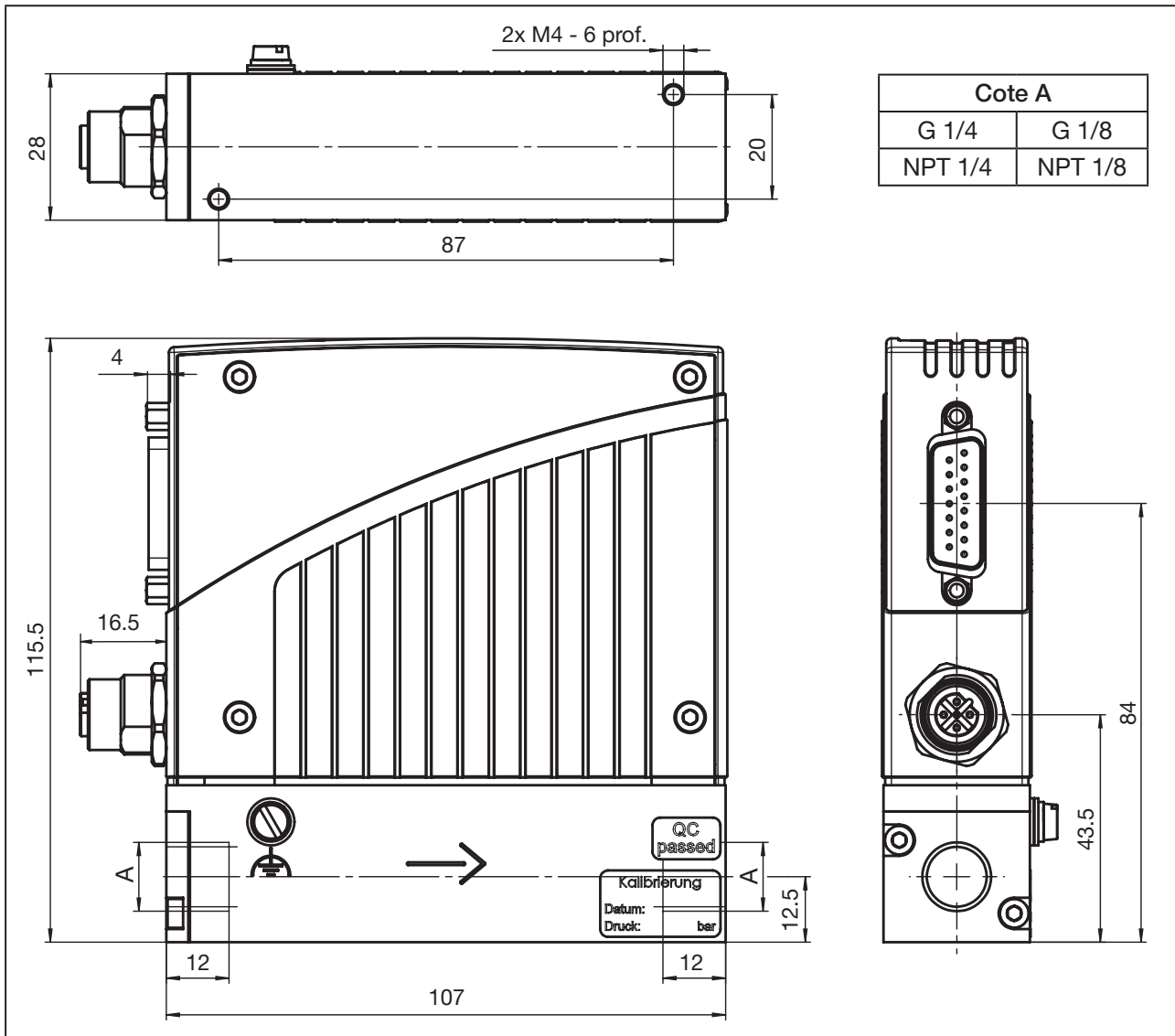


Fig. 8 : Encombrement LFC type 8718 et LFM type 8708, version bus de terrain

LFC type 8718 et LFM type 8708, version bus de terrain avec raccord à bride :

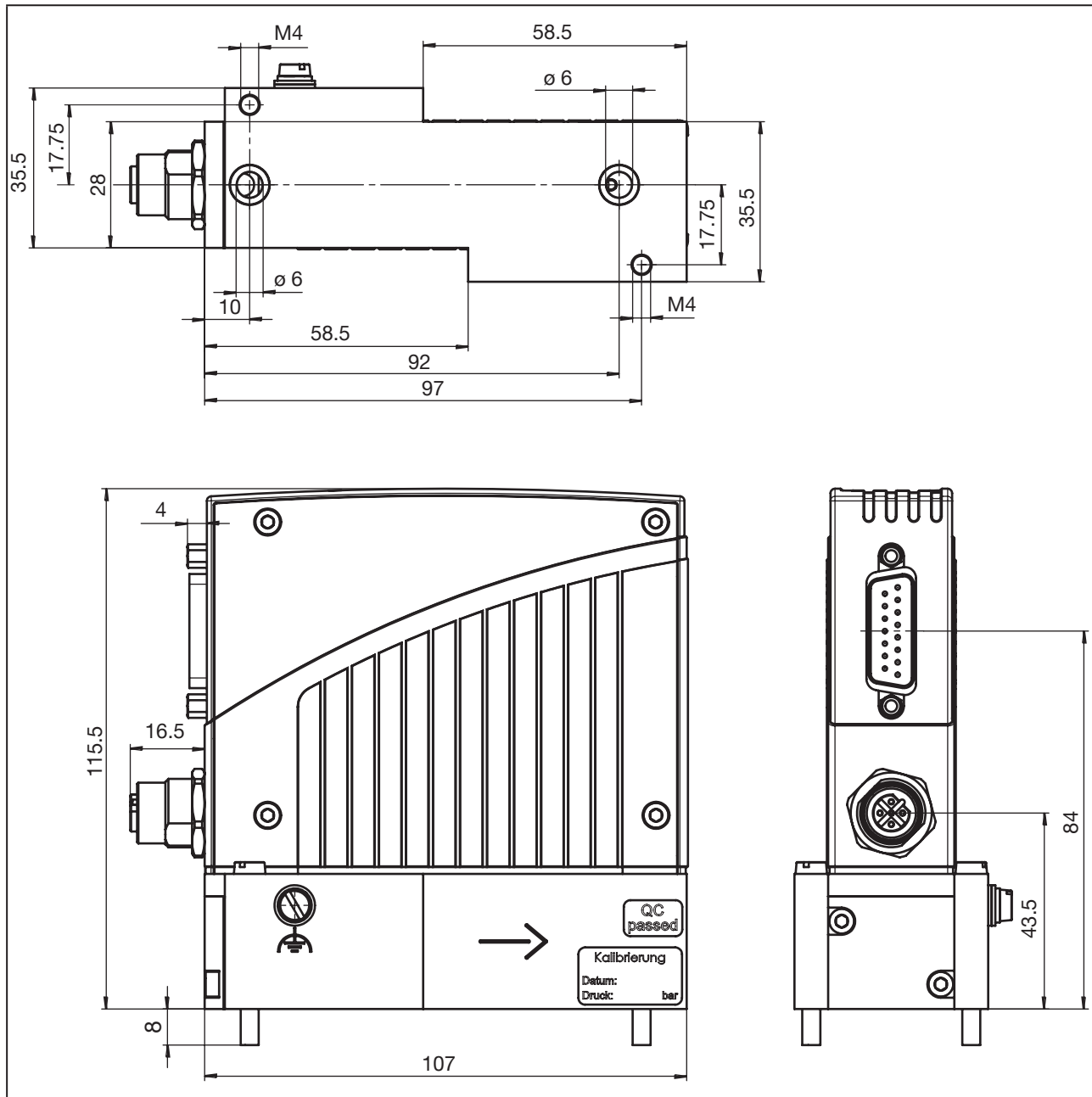


Fig. 9 : Encombrement LFC type 8718 et LFM type 8708, version bus de terrain avec raccord à bride

## 6.6. Données fluidiques

Valeur finale ( $Q_{nom}$ ) :	0,6...36 l/h d'eau (voir étiquette signalétique / protocole d'étalonnage)
Intervalle de mesure / Plage de régulation :	1 : 10
Précision de mesure :	$\pm 1,5$ % val. mes. $\pm 0,5$ % val. fin. (après 15 min. de chauffage)
Reproductibilité :	$\pm 0,5$ % val. fin.
Temps de régulation ( $t_{95}$ %) :	< 500 ms
Pression de service max. :	2 bar <sub>rel</sub> , 6 bar <sub>rel</sub> , 10 bar <sub>rel</sub> , selon la version, en fonction du diamètre nominal de la vanne et de la plage de mesure du capteur (pour de plus amples informations, voir protocole d'étalonnage)
Fluide d'étalonnage :	fluide d'exploitation ou eau (voir protocole d'étalonnage)
Raccords de conduite :	G1/4 ou NPT1/4 8708, 8718 : également disponible en version à bride

## 6.7. Caractéristiques électriques

Alimentation en tension :	24 V DC $\pm 10$ % ; ondulation résiduelle < 2 %
Puissance absorbée :	8718 et 8719 : max. 7,5 W avec version bus de terrain max. 10 W  8708 et 8709 : max. 2,5 W avec version bus de terrain max. 5 W
Entrées :	
Valeur de consigne :	Signal normalisé 0/4...20 mA impédance d'entrée max. : 300 $\Omega$ Résolution : 5 $\mu$ A  Signal normalisé 0...5/10 V Impédance d'entrée min. : 20 k $\Omega$ Résolution : 2,5 mV
Entrée binaire :	Active Low, raccorder pour l'activation avec DGND (pour entrées binaires) (affectation configurable)  8709 et 8719 : 3 entrées binaires 8708 et 8718 : 2 entrées binaires

Sorties :

Valeur effective :	Signal normalisé 0/4...20 mA Charge max. : 600 Ω Résolution : 20 µA
	Signal normalisé 0...5/10 V Courant max. : 10 mA Résolution : 10 mV
Sortie binaire :	Inverseur sans potentiel 60 V, 1 A, 60 VA (affectation configurable)
	8709 et 8719 : 2 sorties binaires 8708 et 8718 : 1 sortie binaire

Affichage :

	Diodes électroluminescentes : Affichage d'état pour Alimentation, Communication, Limite, Erreur (affectation configurable)
	8709 et 8719 : 4 DEL 8708 et 8718 : 3 DEL

bus de terrain :	alternative à la version signal normalisé PROFIBUS DP V1 CANopen
------------------	--

Raccordements électriques :	8719 et 8709 : prise ronde 8 pôles Sub-HD 15 pôles option : prise M12 5 pôles ou connecteur pour bus de terrain
	8718 et 8708 : connecteur Sub-D 15 pôles option : prise M12 5 pôles ou connecteur pour bus de terrain

## 7. INSTALLATION ET MISE EN SERVICE

### 7.1. Consignes de sécurité

#### **DANGER !**

Risque de blessures dû à la présence de haute pression dans l'installation !

- Avant de desserrer les conduites et les vannes, couper la pression et vider les conduites.

Risque de fuite du liquide de fonctionnement !

En cas de contact avec le liquide de fonctionnement et ses produits de réaction, notamment sous forme de vapeur (contact, inhalation), il existe un risque accru de blessure.

- Respecter les réglementations en vigueur pour les fluides d'exploitation utilisés en matière de prévention des accidents ainsi qu'en matière de sécurité.

Risque de choc électrique !

- Avant d'intervenir dans l'appareil ou l'installation, couper la tension et empêcher toute remise sous tension par inadvertance !
- Respecter les réglementations en vigueur pour les appareils électriques en matière de prévention des accidents ainsi qu'en matière de sécurité !

#### **AVERTISSEMENT !**

Risque de blessures dû à un montage ou une mise en service non conforme !

- L'installation et la mise en service doivent être effectuées uniquement par un personnel qualifié et habilité disposant de l'outillage approprié !

Risque de blessures dû à la mise en marche involontaire de l'installation et le redémarrage non contrôlé !

- Empêcher tout actionnement involontaire de l'installation.
- Garantir un redémarrage contrôlé après le montage.

### 7.2. Mesures avant l'installation

→ Avant le montage du LFC / LFM, éliminer les salissures au niveau des tuyaux et des composants fluidiques de l'installation.

→ Installer un filtre approprié (mailles  $\leq 20 \mu\text{m}$ ) en amont pour garantir la propreté du fluide d'exploitation.

#### **REMARQUE !**

Respecter les points suivants lors de l'installation !

- La position de montage selon l'étiquette d'étalonnage ou le protocole d'étalonnage.
- L'utilisation d'un bloc d'alimentation ayant une puissance suffisante.
- L'ondulation résiduelle maximale autorisée de la tension de service.

### 7.3. Ordre des opérations à réaliser

Lors de l'installation et de la mise en service du LFC / LFM, procéder selon l'ordre décrit :

1. Installation mécanique et fluide
2. Installation électrique
3. Application de pression avec le fluide d'exploitation
4. Rinçage et purge complète des conduites avec le fluide d'exploitation à la pression d'étalonnage
5. Mode de travail régulier

### 7.4. Installation fluide



#### **DANGER !**

**Risque de blessures dû à la présence de haute pression dans l'installation !**

- Avant de desserrer les conduites et les vannes, couper la pression et vider les conduites.

Choisir les raccords fluidiques disponibles en fonction du débit maximal. Les sections d'entrée ne sont pas nécessaires.

Sur demande, les appareils peuvent également être livrés avec des raccords fluidiques montés.



#### **AVERTISSEMENT !**

**Danger dû aux fuites !**

En présence de débits faibles et de pressions élevées, il est nécessaire d'accorder une attention particulière à l'étanchéité du système pour éviter les dosages incorrects ou l'échappement de fluide d'exploitation.

- Pour garantir une bonne étanchéité, respecter les opérations décrites par la suite.

Pour étancher parfaitement le système, procéder de la manière suivante lors du montage des vissages par bague de serrage :

- Monter les raccords de tuyauterie en l'absence de tension (utiliser des compensateurs si nécessaire).
- Utiliser un tuyau avec un diamètre adapté et une surface lisse.
- Scier le tuyau droit et l'ébavurer.
- Pousser d'abord l'écrou raccord, puis l'anneau de support (le cas échéant) et enfin la bague de serrage dans cet ordre sur le tuyau.
- Introduire le tuyau dans le vissage jusqu'en butée.
- Serrer manuellement l'écrou raccord.
- Bloquer avec la clé côté serrage (sans soumettre le corps de l'appareil à des contraintes mécaniques) et serrer d'un 1/4 de rotation.



**REMARQUE !**

En cas de pauses de fonctionnement prolongées, vider le LFC / LFM et rincer à l'air comprimé. L'appareil doit pour cela être activé de sorte que la vanne soit ouverte.

- Veiller à ce que la pression d'étalonnage de l'appareil ne soit pas dépassée.

Une pression trop élevée dans le LFC / LFM entraîne des dommages irréparables au niveau de l'appareil.

**7.5. Installation électrique****DANGER !****Risque de choc électrique !**

- Avant d'intervenir dans l'appareil ou l'installation, couper l'alimentation et empêcher toute remise sous tension par inadvertance !
- Respecter les réglementations en vigueur pour les appareils électriques en matière de prévention des accidents ainsi qu'en matière de sécurité !

**AVERTISSEMENT !****Risque d'incendie et d'inflammation en raison de décharges électrostatiques.**

Après une charge électrostatique de l'appareil, les vapeurs de fluides facilement inflammables peuvent s'enflammer en cas de décharge.

- En guise de protection contre la charge électrostatique, raccorder l'appareil à la terre de fonctionnement (FE) à l'aide d'un câble aussi court que possible (section aussi grande que possible).

**Risque dû aux champs électromagnétiques !**

Si la connexion FE n'est pas raccordée, les conditions de la loi CEM ne sont pas respectées !

- Raccorder l'appareil à la terre de fonctionnement (FE) à l'aide d'un câble aussi court que possible (section aussi grande que possible).

**REMARQUE !****Remarque importante concernant le parfait fonctionnement de l'appareil :**

Les lignes GND ou de masse de tous les signaux du LFC / LFM doivent dans tous les cas être posées individuellement au niveau du LFC / LFM.

Si tous les signaux GND sont pontés directement au niveau du LFC / LFM et si seule une ligne commune est posée en vue de l'activation, des déplacements de signaux ainsi que des perturbations des signaux analogiques peuvent se produire.

→ Raccorder la terre de fonctionnement (FE) à la vis indiquée, par exemple à l'aide d'une lame circulaire.

### 7.5.1. Réglage de l'adresse bus sur les appareils sans commutateur rotatif pour le réglage de l'adresse

L'adresse bus des appareils peut être réglée via l'outil de configuration de Bürkert « Mass Flow Communicator » dans la vue « Views » → PROFIBUS / CANopen ou directement via le bus maître.

Après une modification d'adresse, cette dernière doit être réinitialisée au niveau de l'esclave et du maître. Pour cela, il peut être nécessaire d'envoyer la trame correspondante, en fonction du bus.



Recommandation :

Pour garantir un réglage exempt de dysfonctionnements, il est nécessaire de réinitialiser l'appareil. (Couper le courant au niveau de l'appareil).

### 7.5.2. Réglage de l'adresse de bus sur les appareils avec commutateur rotatif pour le réglage de l'adresse (types 8718 / 8708)

Lors de l'activation de l'appareil, l'adresse réglée au niveau des commutateurs rotatifs est reprise en tant qu'adresse esclave.

Adresses valables : • PROFIBUS 0...126  
• CANopen 1...127

Si l'adresse a été réglée en dehors de la plage autorisée, le réglage de l'adresse est valable comme décrit au chapitre 7.5.1.

LSB Chiffre des unités (x 1)	Chiffre des unités	Chiffre fois 1	
	0 - 9	→	0 - 9

MSB Chiffre des dizaines (x 10)	Chiffre des dizaines	Chiffre fois 10	
	0...9	→	0...90
	A	→	100
	B	→	110
	C	→	120
	D	→	130
	E	→	140
	F	→	150

L'adresse se compose de LSB + MSB

Exemple :

Adresse	Réglage MSB	Réglage LSB
1	0	1
63	6	3
100	A	0
127	C	7

Fig. 10 : Réglage de l'adresse de bus sur les appareils avec commutateur rotatif (types 8718 / 8708)



Si un réglage d'adresse est nécessaire à l'aide des commutateurs rotatifs via le bus maître, cela peut être réalisé grâce au réglage d'une adresse en dehors de la plage valable.

Toute modification de l'adresse via les commutateurs rotatifs n'est valable qu'après un redémarrage de l'appareil.

### 7.5.3. Affectation de broches

#### Affectation des broches pour LFC type 8719 et LFM type 8709

	<b>Prise ronde 8 pôles</b>		<b>Broche</b>	<b>Configuration</b>
	1	24 V – alimentation +		
	2	Relais 1 – contact central		
	3	Relais 2 – contact central		
	4	Relais 1 – contact de repos		
	5	Relais 1 – contact de travail		
	6	24 V – alimentation GND		
	7	Relais 2 – contact de travail		
	8	Relais 2 – contact normalement fermé		
	<b>LFC type 8719 : prise Sub-HD 15 pôles</b>		<b>Broche</b>	<b>Configuration</b>
	1 <sup>1)</sup>	Entrée valeur de consigne +		
	2 <sup>1)</sup>	Entrée valeur de consigne GND		
	3 <sup>1)</sup>	Sortie valeur effective +		
	4	Entrée binaire 2		
	5	12 V – sortie (utilisation interne uniquement)		
6	RS232 T x D (raccordement direct au PC)			
7	Sortie binaire 1			
8	DGND (pour entrées binaires)			
9	Utilisation interne uniquement (ne pas affecter !)			
10	12 V – sortie (utilisation interne uniquement)			
11	12 V – sortie (utilisation interne uniquement)			
12	Entrée binaire 3			
13 <sup>1)</sup>	Sortie GND en valeur efficace			
14	RS232 R x D (raccordement direct au PC)			
15	DGND (pour interface RS232)			
<b>Type LFM 8709 : prise Sub-HD 15 pôles</b>		<b>Broche</b>	<b>Configuration</b>	
1	non affecté			
2	non affecté			
3 <sup>1)</sup>	Sortie valeur effective +			
4	Entrée binaire 2			
5	12 V – sortie (utilisation interne uniquement)			
6	RS232 T x D (raccordement direct au PC)			
7	Sortie binaire 1			
8	DGND (pour entrées binaires)			
9	Utilisation interne uniquement (ne pas affecter !)			
10	12 V – sortie (utilisation interne uniquement)			
11	12 V – sortie (utilisation interne uniquement)			
12	Entrée binaire 3			
13 <sup>1)</sup>	Sortie GND en valeur efficace			
14	RS232 R x D (raccordement direct au PC)			
15	DGND (pour interface RS232)			

Tableau 1 : Affectation des broches pour LFC type 8719 / LFM type 8709

<sup>1)</sup> Sur la version bus de terrain, les broches 1, 2, 3 et 13 ne sont pas affectés

Affectation des broches pour LFC type 8718 et LFM type 8708

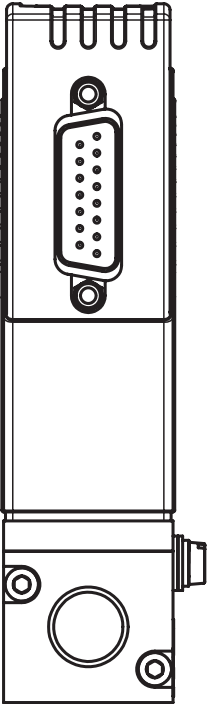
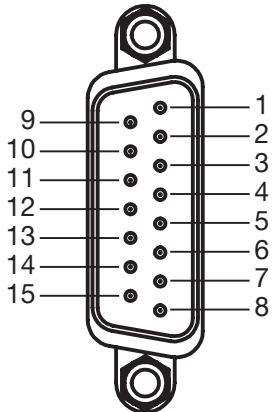
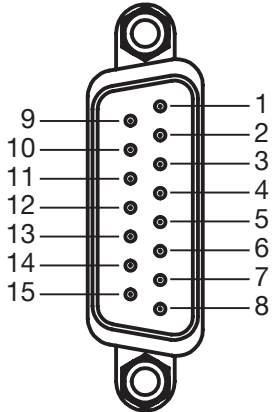
	<b>LFC type 8718 :</b>		<b>Broche</b>	<b>Configuration</b>
	<b>Connecteur SUB-D 15 pôles</b>			
		1	Relais – contact de repos	
		2	Relais – contact de travail	
		3	Relais – contact central	
		4	GND pour 24 V – alimentation et entrées binaires	
		5	24 V – alimentation +	
		6	8 V – sortie (utilisation interne uniquement)	
		7 <sup>2)</sup>	Entrée valeur de consigne GND	
		8 <sup>2)</sup>	Entrée valeur de consigne +	
		9 <sup>2)</sup>	Sortie GND en valeur efficace	
		10 <sup>2)</sup>	Sortie valeur effective +	
		11	DGND (pour RS232)	
		12	Sortie binaire 1	
		13	Entrée binaire 2	
		14	RS232 R x D (sans pilote)	
		15	RS232 T x D (sans pilote)	
	<b>LFM type 8708 :</b>		<b>Broche</b>	<b>Configuration</b>
	<b>Connecteur SUB-D 15 pôles</b>			
		1	Relais – contact de repos	
		2	Relais – contact de travail	
		3	Relais – contact central	
		4	GND pour 24 V – alimentation et entrées binaires	
		5	24 V – alimentation +	
		6	8 V – sortie (utilisation interne uniquement)	
		7	non affecté	
		8	non affecté	
9 <sup>2)</sup>		Sortie GND en valeur efficace		
10 <sup>2)</sup>		Sortie valeur effective +		
11		DGND (pour RS232)		
12		Sortie binaire 1		
13		Entrée binaire 2		
14		RS232 R x D (sans pilote)		
15		RS232 T x D (sans pilote)		

Tableau 2 : Affectation des broches pour LFC type 8718 / LFM type 8708

<sup>2)</sup> Sur la version bus de terrain, les broches 7...10 ne sont pas affectés

Affectation des broches pour bus de terrain LFC types 8718, 8719 et LFM types 8708, 8709

PROFIBUS DP Prise M12, codée B (DP V1 max. 12 Mbaud)	Broche	Configuration
	1	VDD
	2	R x D / T x D – N (ligne A)
	3	DGND
	4	R x D / T x D – N (ligne B)
	5	non affecté
CANopen Connecteur M12	Broche	Configuration
	1	Blindage
	2	non affecté
	3	DGND
	4	CAN_H
	5	CAN_L

Tableau 3 : Affectation des broches pour bus de terrain LFC types 8718, 8719 / LFM types 8708, 8709

## 8. UTILISATION ET FONCTIONNEMENT

### 8.1. Consignes de sécurité



#### AVERTISSEMENT !

**Risque de blessures dû à une utilisation non conforme !**

Une utilisation non conforme peut entraîner des blessures et endommager l'appareil et son environnement.

- Les opérateurs doivent connaître le contenu de la notice d'utilisation et les avoir comprises.
- Respecter les consignes de sécurité et l'utilisation conforme.
- L'appareil/l'installation doit uniquement être utilisé(e) par un personnel suffisamment formé.

### 8.2. Utilisation du LFC / LFM

L'utilisation du LFC / LFM se fait grâce à des signaux normalisés analogiques ou à une communication de bus de terrain ainsi que des entrées binaires. 3 ou 4 DEL ainsi que des sorties binaires indiquent le fonctionnement et l'état.

De plus, une interface série (RS232) permettant au logiciel « Mass Flow Communicator » d'établir une connexion avec un PC est disponible.



#### • Sélection des signaux normalisés / Affectation des entrées binaires

L'affectation souhaitée du type de signal normalisé ainsi que l'attribution des entrées binaires peuvent être indiquées lors de la commande ou configurées via le logiciel « Mass Flow Communicator » (voir également chapitre 10.1.3. *Mass Flow Communicator (logiciel PC)*).

#### • Affectation des DEL / Affectation des sorties binaires

L'affectation des DEL (à l'exception des DEL d'alimentation et d'erreur) ainsi que l'attribution des sorties binaires peuvent également être configurées via le logiciel PC « Mass Flow Communicator » (voir également chapitre 10.1.3. *Mass Flow Communicator (logiciel PC)*).

### 8.2.1. DEL

3 ou 4 DEL indiquent le fonctionnement et l'état.

Affectation standard des DEL :		
Statut de la DEL		Description
Power (verte)	allumée	L'appareil est alimenté en tension.
	clignote	La fonction Autotune est activée.
Communication (jaune <sup>3)</sup> )	allumée	L'appareil communique via le bus de terrain ou l'interface série (RS232).
Limite (y) (bleue <sup>4)</sup> )	allumée	LFC : indique que la grandeur de réglage de la vanne proportionnelle a pratiquement atteint 100 %. En pratique, cela signifie que la pression au niveau du régulateur ne suffit pas pour atteindre le débit souhaité.  LFM : indique que la valeur effective a pratiquement atteint le débit nominal.
	clignote	L'appareil se trouve dans un autre état de fonctionnement que le mode de régulation ou la fonction Autotune.
Erreur (rouge)	allumée	Pas d'erreur majeure, par exemple fonction Autotune pas terminée avec succès.
	clignote	Erreur majeure, par exemple cassure du capteur, tension d'alimentation interne incorrecte ou pression de service trop élevée.
<sup>3)</sup> non disponible sur la version analogique de 8708 / 8718		
<sup>4)</sup> non disponible sur la version bus de 8708 / 8718		

Tableau 4 : Affectation standard des DEL

### 8.2.2. Entrées/Sorties

#### Entrée valeur de consigne (version LFC analogique uniquement)

L'entrée valeur de consigne sert à la prescription analogique du débit grâce à un signal normalisé.

#### Sortie valeur effective (version LFC / LFM analogique uniquement)

La sortie valeur effective indique la valeur de débit actuelle comme signal normalisé.

#### Connexion bus (version bus de terrain LFC / LFM uniquement)

La valeur de consigne et la valeur effective sont reçues ou envoyées sous forme numérique via le bus de terrain.

Il est possible de choisir entre PROFIBUS DP et la connexion CANopen (voir également la notice d'utilisation complémentaire des appareils de bus de terrain).

## Entrées binaires

L'activation des entrées binaires permet de réaliser différentes actions sur le LFC / LFM ou de le commuter dans un mode de fonctionnement précis. L'activation se fait grâce à la connexion de l'entrée binaire respective pendant au moins 0,5 s avec DGND (pour entrées binaires).

Fonctions possibles des entrées binaires	
Fonction	Description
Déclencher Autotune	Démarrage de la fonction Autotune pour l'optimisation des paramètres de régulation sur les conditions présentes de l'installation, description voir chapitre 8.3.Fonctions du LFC / LFM.
Commutation sur la caractéristique 2	La courbe d'étalonnage enregistrée sous gaz 2 ainsi que tous les paramètres correspondants sont utilisés.
Totalizer Reset	Le totalisateur intégré (compteur de quantités) est réinitialisé sur la valeur 0.
Démarrer le profil valeur de consigne	Démarrage du profil de la valeur de consigne enregistré, description voir chapitre 8.3.Fonctions du LFC / LFM.
Mode de commande	Commutation en mode de commande pour l'ouverture ciblée de la vanne proportionnelle intégrée, description voir chapitre 8.3.Fonctions du LFC / LFM.
Régulation de la valeur de sécurité <sup>5)</sup>	Régulation de la valeur de sécurité enregistrée dans l'appareil comme valeur de consigne du débit. La valeur de consigne de débit analogique créée ou transmise via le bus de terrain est ignorée dans ce cas.
Fermer complètement la vanne <sup>5)</sup>	Fermeture complète de la vanne. La valeur de consigne de débit est ignorée dans ce cas.
Ouvrir complètement la vanne <sup>5)</sup>	Ouverture complète de la vanne. La valeur de consigne de débit est ignorée dans ce cas.
<sup>5)</sup> Avec ces fonctions, il est possible de choisir le mode de fonctionnement de l'entrée binaire (active / inactive)	

Tableau 5 : Fonctions entrée binaire

Affectation standard des entrées binaires :	
Entrée	Configuration
Sortie binaire 1	LFC : Déclencher Autotune LFM : non utilisée
Entrée binaire 2	LFC : Ouvrir complètement la vanne LFM : non utilisée
Entrée binaire 3 <sup>6)</sup>	Non utilisée
<sup>6)</sup> non disponible sur la version 8718 / 8708	

Tableau 6 : Affectation standard des entrées binaires



## Sorties binaires

Les LFC / LFM sont équipés de sorties binaires pour l'affichage des états de fonctionnement, des dépassements des valeurs limites ou des erreurs.

Fonctions possibles des sorties binaires	
Fonction	Description
Non utilisée	Aucune fonction n'est affectée à la sortie binaire
Mettre en marche	L'alimentation en tension est appliquée.
Autotune activée	La fonction Autotune est activée.
Gaz 1 ou 2 activé	La courbe d'étalonnage 1 ou 2 est actuellement sélectionnée.
Etalonnage défini par l'utilisateur activé	L'appareil fonctionne avec l'étalonnage adapté par le client.
Entrée binaire 1, 2 ou 3 activée	L'entrée binaire 1, 2 ou 3 a été définie.
Activer la sortie binaire via le bus de terrain	L'état des sorties binaires est indiqué par le bus de terrain ou l'interface série.
Régulation de la valeur de sécurité activée	La valeur de sécurité réglée est régulée.
Profil valeur de consigne activé	Le profil de valeur de consigne enregistré dans l'appareil est régulé.
Mode de commande activé	Le mode de commande est activé, ce qui signifie que la valeur de consigne prescrite est directement envoyée comme grandeur de réglage à la vanne proportionnelle.
Fermeture complète de la vanne activée	La fonction Fermeture complète de la vanne est activée.
Ouverture complète de la vanne activée	La fonction Ouverture complète de la vanne est activée.
Consommation en courant incorrecte	La consommation en courant de l'appareil est surveillée. Si cette valeur n'est pas comprise dans les limites définies, cette fonction est déclenchée. Une consommation en courant trop élevés ou insuffisants peuvent par exemple indiquer un défaut de l'appareil.
Tension interne incorrecte	La tension de service de l'appareil est surveillée. En cas de dépassement des limites définies, cette fonction est déclenchée.
Tension du capteur défectueuse	La tension d'alimentation du capteur est surveillée. En cas de dépassement des limites définies, cette fonction est déclenchée.
Mémorisation des données incorrecte	Une erreur s'est produite lors de la mémorisation des données dans la mémoire non volatile de l'appareil.
Erreur capteur	L'appareil est en mesure de détecter un défaut du capteur grâce à un test automatique. Si c'est le cas, cette fonction est activée.
Erreur MFI	Le module bus de terrain (MFI) est défectueux ou mal équipé. Une communication via le bus de terrain n'est pas possible.
x limite	La valeur effective a dépassé une valeur limite (haute ou basse) réglable librement.
w Limite	La valeur de consigne a dépassé une valeur limite (haute ou basse) réglable librement.
y2 limite	La grandeur de réglage a dépassé une valeur limite (haute ou basse) réglable librement.
Limite du totaliseur	Le totalisateur a dépassé une valeur limite (haute ou basse) réglable librement.

Tableau 7 : Fonctions de la sortie binaire

Affectation standard des sorties binaires :	
Sortie	Configuration
Sortie binaire 1	Limite (y)
Sortie binaire 2 <sup>7)</sup>	Erreur (en cas d'erreur majeure, par exemple rupture de capteur ou tension interne défectueuse)

<sup>7)</sup> non disponible sur la version 8718 / 8708

Tableau 8 : Affectation standard des sorties binaires

### 8.3. Fonctions du LFC / LFM

Le LFC / LFM peut présenter différents états de marche :

Vue d'ensemble des états de marche			
Etat de marche	Peut être interrompu ou terminé par	Représentation sur les DEL dans le cas du réglage standard	Etat de marche atteint via l'entrée binaire (si configurable)
Mode de régulation standard	<ul style="list-style-type: none"> <li>Fonction Autotune</li> <li>Fonction de sécurité</li> <li>Profil valeur de consigne</li> <li>Mode de commande</li> </ul>	DEL d'alimentation (verte) allumée	-
Fonction Autotune	<ul style="list-style-type: none"> <li>Fonction de sécurité</li> <li>Réinitialisation des appareils</li> </ul>	DEL Power (verte) clignote	Déclenchement dans le cas de l'entrée binaire active pendant au moins 0,5 s (redémarrage en cas d'affectation permanente)
Fonction de sécurité	-	DEL Limite (bleue) clignote	Aussi longtemps qu'elle est active
Profil valeur de consigne	<ul style="list-style-type: none"> <li>Fonction Autotune</li> <li>Fonction de sécurité</li> <li>Réinitialisation des appareils</li> </ul>	DEL Limite (bleue) clignote	Déclenchement dans le cas de l'entrée binaire active pendant au moins 0,5 s (redémarrage en cas d'affectation permanente)
Mode de commande	<ul style="list-style-type: none"> <li>Fonction Autotune</li> <li>Fonction de sécurité</li> <li>Réinitialisation des appareils</li> </ul>	DEL Limite (bleue) clignote	Aussi longtemps qu'elle est active

Tableau 9 : Etats de marche

### 8.3.1. Mode de régulation standard

Il s'agit de l'état de marche dans lequel se trouve le LFC / LFM immédiatement après la connexion et une courte phase d'initialisation. La DEL Power verte est allumée.

Le débit est régulé avec une dynamique élevée sur la valeur de consigne prescrite dans le cas du LFC. Les perturbations, par exemple suite à des modifications de pression, sont rapidement compensées par l'adaptation correspondante de l'ouverture de la vanne proportionnelle.

Dans cet état de marche, la valeur de consigne est prescrite via l'entrée analogique (entrée signal normalisé) ou le bus de terrain en fonction de la version de l'appareil.

Les paramètres de régulation sont réglés de sorte que des modifications de la valeur de consigne ou des grandeurs perturbatrices soient régulées aussi rapidement que possible sans l'apparition de suroscillations notables.

La valeur effective du débit peut être lue via la sortie analogique (sortie du signal normalisé) ou le bus de terrain en fonction de la version de l'appareil.



Attention !

Si la DEL bleue Limite (y) est allumée, cela signifie

- **LFC**

que le signal d'activation de la vanne proportionnelle se rapproche de la limite 100 %.

Cela est généralement dû à

- une différence de pression insuffisante au niveau du LFC, par exemple en raison d'une alimentation en pression insuffisante ou

- un filtre fortement encrassé.

Cela peut conduire au fait que la valeur de consigne prescrite ne puisse pas être atteinte et qu'un écart de régulation ( $w - x$ ) positif persiste.

- **LFM**

que le débit actuel se rapproche du débit nominal ou l'a dépassé.

En cas de dépassement important du débit nominal, le débit donné peut s'écarter du débit réel.

Pour permettre une réaction externe en cas d'écarts, une sortie binaire est également connectée.

### 8.3.2. Fonction Autotune

La condition préalable à l'adaptation automatique du régulateur à l'installation est le respect de rapport de pression normaux.

→ Un court actionnement (> 0,5 s) de l'entrée binaire 1 permet de déclencher la fonction Autotune.

La fonction Autotune se déroule automatiquement.

La DEL Power verte clignote lors de l'exécution de la fonction Autotune.



#### AVERTISSEMENT !

Respecter les points suivants lors de l'exécution de la fonction Autotune :

Différentes modifications du débit se produisent.

- L'alimentation électrique du LFC ne doit pas être coupée.
- La pression d'alimentation doit rester constante.

Pendant le déroulement de la fonction Autotune, le LFC ne régule pas.

L'électrovanne proportionnelle est activée selon un schéma prescrit en interne, ce qui conduit à des modifications de débit. Certains paramètres de régulation sont alors adaptés aux conditions présentes au niveau de l'installation.

Ces paramètres sont repris dans la mémoire non volatile de l'appareil lorsque la fonction Autotune a été réalisée avec succès.

Au terme de la fonction Autotune, le LFC revient dans l'état de marche précédent.



Chaque LFC a réalisé la fonction Autotune lors du contrôle final en usine, à la pression de service et avec le fluide d'étalonnage indiqués dans le protocole d'étalonnage.

C'est pourquoi une nouvelle exécution de cette fonction n'est pas absolument indispensable pour un mode de régulation sûr de l'installation.

La fonction Autotune doit cependant être exécutée dans les cas suivants

- les conditions de pression se sont fortement modifiées dans l'installation
- le fluide d'étalonnage ne correspond pas au fluide d'exploitation.

### 8.3.3. Fonction de sécurité

Cette fonction peut être activée ou réinitialisée via une entrée binaire ou un bus de terrain en fonction de la configuration de l'appareil.

Dans cet état de marche, l'appareil se comporte comme en mode de régulation standard. Cependant, une valeur de consigne externe sera ignorée et une valeur de sécurité définie (réglage standard : 0 %, utilisable avec logiciel PC «Mass Flow Communicator») utilisée comme valeur de consigne.

### 8.3.4. Profil valeur de consigne

Cette fonction peut être activée ou réinitialisée via une entrée binaire ou un bus de terrain en fonction de la configuration de l'appareil.

Dans cet état de marche, l'appareil se comporte comme en mode de régulation standard. Cependant, une valeur de consigne externe sera ignorée et une séquence chronologique préalablement définie de 30 valeurs de débit max. utilisée comme valeur de consigne (configurable avec le logiciel PC « Mass Flow Communicator »).

Après l'exécution du profil de valeur de consigne, l'appareil revient dans le mode précédent si, lors de l'activation par une entrée binaire, ce dernier a été réinitialisé.

### 8.3.5. Mode de commande

Cette fonction peut être activée ou réinitialisée via une entrée binaire ou un bus de terrain en fonction de la configuration de l'appareil (configurable avec le logiciel PC « Mass Flow Communicator »).

Dans cet état de marche, la valeur de consigne est utilisée comme grandeur de sortie pour le taux d'impulsions de la vanne proportionnelle, par exemple valeur de consigne 10 % → taux d'impulsions de la vanne = 10 %.

## 9. MAINTENANCE, DÉPANNAGE

### 9.1. Consignes de sécurité



#### **DANGER !**

Risque de blessures dû à la présence de haute pression dans l'installation !

- Avant de desserrer les conduites et les vannes, couper la pression et vider les conduites.

Risque de choc électrique !

- Avant d'intervenir dans l'appareil ou l'installation, couper l'alimentation et empêcher toute remise sous tension par inadvertance !
- Respecter les réglementations en vigueur pour les appareils électriques en matière de prévention des accidents ainsi qu'en matière de sécurité !



#### **AVERTISSEMENT !**

Risque de blessures dû à en entretien non conformes !

- La maintenance doit être effectuée uniquement par un personnel qualifié et habilité disposant de l'outillage approprié !

Risque de blessures dû à la mise en marche involontaire de l'installation et le redémarrage non contrôlé !

- Empêcher tout actionnement involontaire de l'installation.
- Garantir un redémarrage contrôlé après l'entretien.

### 9.2. Maintenance

Le LFC / LFM ne nécessite aucune maintenance s'il est utilisé comme indiqué dans ce manuel. Un nouvel étalonnage de routine n'est pas nécessaire.



#### **ATTENTION !**

Risque de blessures en cas d'erreur de fonctionnement et de panne de l'appareil suite à l'ouverture de celui-ci !

L'appareil comprend des éléments de conditionnement de l'écoulement et de mesure du débit. Une intervention dans l'appareil, par exemple pour le nettoyer, est uniquement autorisée conformément à la description du chapitre 9.2.1.

Toute autre intervention dans l'appareil entraîne une modification du signal du capteur ce qui nécessite un nouvel étalonnage effectué en usine.

- Ne pas ouvrir l'appareil.
- Un nettoyage autre que celui décrit au chapitre 9.2.1. ainsi qu'un nouvel étalonnage peuvent uniquement être effectués par le fabricant.

### 9.2.1. Maintenance lors du fonctionnement avec des fluides fortement encrassés

Si, après un fonctionnement prolongé avec un fluide encrassé, des quantités importantes de particules sont constatées, il est possible de nettoyer ou de remplacer la grille en acier inoxydable ainsi que de nettoyer le tuyau du diaphragme.

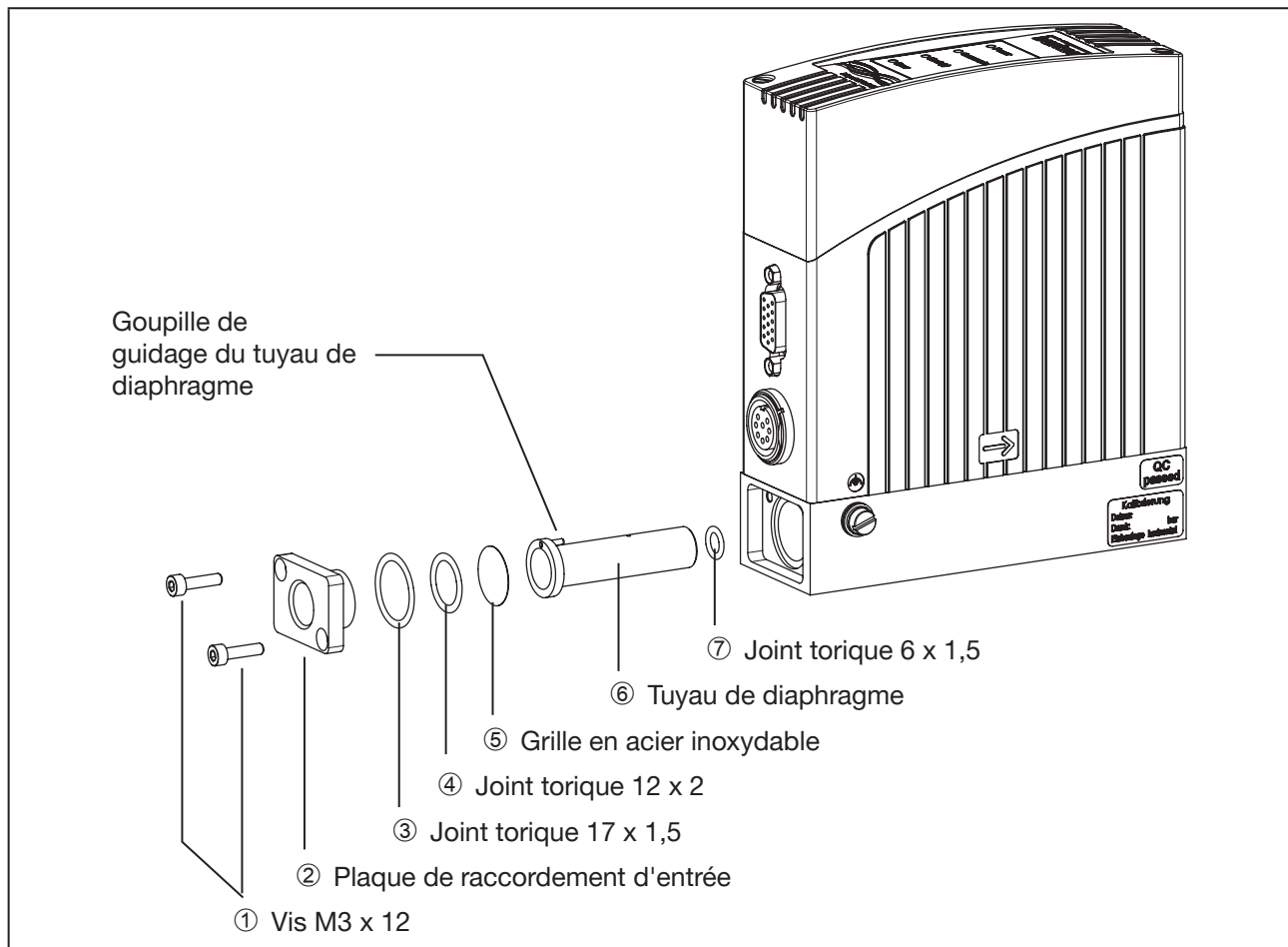


Fig. 11 : Maintenance, nettoyage

#### Procédure à suivre :

- Pour accéder à la grille en acier inoxydable, desserrer la plaque de raccordement d'entrée ② (voir Fig.11 : Maintenance, nettoyage).
- Retirer la grille en acier inoxydable ainsi que le tuyau de diaphragme.
- Nettoyer la grille en acier inoxydable / le tuyau de diaphragme.  
Utiliser pour cela de l'eau distillée par exemple (pas d'eau du robinet), de l'acétone, de l'isopropanol ou de l'air comprimé.
- Les pièces doivent être séchées après le nettoyage.
- Remettre les pièces en place, dans l'ordre et dans la position correcte (voir Fig. 11 :Maintenance, nettoyage).
  - Le tuyau de diaphragme ⑥ doit être installé de sorte que la goupille de guidage du tuyau soit insérée dans l'alésage correspondant du bloc de base.
  - Lors de l'installation, la partie fine de la grille en acier inoxydable ⑤ doit être dirigée vers la plaque de raccordement d'entrée ②.

Pièces de rechange voir chapitre 10.2. Pièces de rechange.

### 9.2.2. Nettoyage et nouvel étalonnage en usine

Si le diaphragme est trop encrassé ou endommagé, l'appareil peut présenter des écarts plus importants au niveau du débit. Un échange et un nouvel étalonnage en usine sont alors nécessaires.

#### REMARQUE !

Remarque importante concernant le parfait fonctionnement de l'appareil !

Un nouvel étalonnage doit uniquement être effectué en usine car cela nécessite des normales de débit très précises ainsi qu'une communication numérique.

### 9.3. Pannes

Problème	Cause possible	Remède
La DEL Power ne s'allume pas	Pas d'alimentation électrique.	Contrôler les raccordements électriques.
La DEL Power clignote	La fonction Autotune est activée.	Voir chapitre 8.3. <i>Fonctions du LFC / LFM.</i>
La DEL Power s'éteint périodiquement	L'alimentation en tension s'interrompt périodiquement – l'appareil effectue une réinitialisation.	Sélectionner une alimentation en tension avec une puissance suffisante.
	La perte est trop élevée au niveau du câble de raccordement.	Augmenter la section du câble. Réduire la longueur du câble.
La DEL Limite (y) est allumée	LFC : la grandeur de réglage de la vanne a (pratiquement) atteint 100 %. La valeur de consigne ne peut pas être réglée.	Augmenter la pression de service (tenir compte de la pression d'alimentation max. admise).  Contrôler les résistances des câbles et les diminuer le cas échéant.  Contrôler le dimensionnement de l'installation.  Contrôler les filtres montés dans la conduite et les nettoyer si nécessaire.
	LFM : la valeur effective du débit a (pratiquement) atteint ou dépassé le débit nominal.	Réduire le débit.
La DEL Limite (y) clignote	L'appareil se trouve dans un autre état de marche que le mode de régulation standard ou la fonction Autotune.	Voir chapitre 8.3. <i>Fonctions du LFC / LFM.</i>
La DEL d'erreur est allumée	Pas d'erreur majeure ; la dernière fonction Autotune n'a par exemple pas été terminée avec succès.	Relancer la fonction Autotune ou réinitialiser l'erreur.

Problème	Cause possible	Remède
La DEL d'erreur clignote	L'ondulation résiduelle de la tension d'alimentation est trop élevée.	Utiliser une alimentation en tension avec tension de sortie lissée à la puissance demandée.
	Une erreur majeure s'est produite, par exemple rupture de capteur ou défaut dans la tension interne.	Retourner l'appareil au fabricant en vue de l'élimination du défaut.
	Le capteur a été utilisé à une pression supérieure à la pression de service max. admissible.	Réduire la pression de service. Retourner l'appareil au fabricant en vue de l'élimination du défaut.
Absence de débit	La valeur de consigne est inférieure à la limite du déclenchement au point zéro.	Augmenter la valeur de consigne sur une valeur > 10 % du débit nominal.
	L'appareil se trouve dans un autre état de marche que le mode de régulation standard.	Contrôler l'état de marche, voir également chapitre 8.3. <i>Fonctions du LFC / LFM</i> .
	La tuyauterie est trop largement dimensionnée ou par encore complètement purgée.	Purger les conduites. Modifier le diamètre de la conduite.
La valeur effective varie	Pas de connexion à la terre (FE) satisfaisante.	Relier FE au point de mise à la terre (câble aussi court que possible, brin au moins 2,5 mm <sup>2</sup> ).
	Le régulateur doit constamment réguler des perturbations d'une alimentation en pression instable, par exemple via des pompes.	Monter un pressostat approprié en amont. Installer un réservoir tampon pour l'amortissement des variations de pression.
	L'ondulation résiduelle de la tension d'alimentation est trop élevée.	Utiliser une alimentation en tension avec tension de sortie lissée à la puissance demandée.
Valeur de consigne = 0 %, débit tout de même présent	La pression de service est supérieure à la pression maintenue par la vanne proportionnelle.	Réduire la pression de service. Retourner l'appareil au fabricant en vue de l'élimination du défaut.
Valeur de consigne = 0 %, la vanne est fermée, absence de débit ; la sortie de valeur effective indique tout de même un débit faible	La position de montage de l'appareil est incorrecte.	Monter le LFC dans la position de montage calibrée et réaliser une fonction Autotune pour l'adaptation aux conditions d'exploitation.
	Un fluide différent de celui prévu par l'étalonnage est utilisé.	Retourner l'appareil au fabricant en vue du nouvel étalonnage pour le fluide d'exploitation.
La valeur de consigne n'est pas atteinte	Le filtre est obturé.	Nettoyer ou remplacer le filtre.
	La pression en amont est insuffisante.	Augmenter la pression en amont jusqu'à la pression d'étalonnage.
	La pression en aval est trop élevée.	Contrôler la présence d'encrassement au niveau des pièces de l'installation côté sortie et nettoyer le cas échéant.

Tableau 10 : Pannes



## 10. ACCESSOIRES / PIÈCES DE RECHANGE



### ATTENTION !

Risque de blessures, de dommages matériels dû à de mauvaises pièces !

De mauvais accessoires ou des pièces de rechange inadaptées peuvent provoquer des blessures et endommager l'appareil ou son environnement.

- Utiliser uniquement des accessoires et des pièces de rechange d'origine de la société Bürkert.

### 10.1. Accessoires

Dans ces instructions, les accessoires Bürkert présentés par la suite sont recommandés pour le fonctionnement optimal, la maintenance et la réparation de l'appareil.

#### 10.1.1. Accessoires électriques

Types	Article	Numéro de commande
8719, 8709	Connecteur rond 8 pôles (raccord soudé)	918 299
	Connecteur rond 8 pôles avec câble de 5 m, confection d'un côté	787 733
	Connecteur rond 8 pôles avec câble de 10 m, confection d'un côté	787 734
	Connecteur Sub-HD 15 pôles avec câble de 5 m, confection d'un côté	787 735
	Connecteur Sub-HD 15 pôles avec câble de 10 m, confection d'un côté	787 736
	Adaptateur RS232 pour le raccordement d'un PC avec un câble rallonge (N° de commande 917039)	654 757
	Câble rallonge pour fiche/connecteur 9 pôles RS232 2 m	917 039
	Adaptateur RS485	658 499
	Adaptateur USB	670 696
	Logiciel de configuration (Mass Flow Communicator)	Disponible sur <a href="http://country.burkert.com">country.burkert.com</a>
8718, 8708	Connecteur Sub-D 15 pôles, connexion soudée	918 274
	Cache Sub-D pour prise Sub-D, avec verrouillage à vis	918 408
	Connecteur Sub-D 15 pôles avec câble de 5 m, confection d'un côté	787 737
	Connecteur Sub-D 15 pôles avec câble de 10 m, confection d'un côté	787 738
	Adaptateur RS232 pour le raccordement d'un PC	654 748
	Câble rallonge PC pour fiche/connecteur 9 pôles RS232 2 m	917 039
	Adaptateur RS485	654 538
	Adaptateur USB	670 639
	Logiciel de configuration (Mass Flow Communicator)	Disponible sur <a href="http://country.burkert.com">country.burkert.com</a>

Tableau 11 : Accessoires électriques

### 10.1.2. Accessoires fluidiques

D'une manière générale, Bürkert fournit des connexions vissées uniquement avec filetage en pouces.

Les plaques de raccordement utilisées possèdent donc un filetage en pouces.

Le côté raccord du tuyau peut aussi bien être commandé avec des dimensions métriques que des dimensions en pouces.

Filetage selon DIN ISO 228/1	Tuyau Ø	Matériau	Numéro de commande	Numéro de com- mande bague d'étanchéité
G 1/4	6 mm	VA	901 538	901 575
G 1/4	8 mm	VA	901 540	901 575
G 1/4	1/4 "	VA	901 551	901 579
G 1/4	3/8"	VA	901 553	901 579

Tableau 12 : Accessoires fluidiques



#### Attention !

Une bague d'étanchéité doit être commandée pour chaque raccord à vis !



D'autres accessoires pour le raccordement fluide d'un LFC / LFM sous le type 1013 sont disponibles dans le catalogue des accessoires Bürkert.

### 10.1.3. Mass Flow Communicator (logiciel PC)

Le programme PC « Mass Flow Communicator » est conçu pour la communication avec les appareils des familles Mass Flow Controller et régulateur de débit liquide de la société Bürkert.

Il sert à la configuration et à la lecture/écriture de différents paramètres.



Le programme fonctionne sur la plateforme Windows et a besoin d'une interface série (RS 232) pour la communication avec le LFC / LFM.

Ce programme permet de réaliser différents réglages au niveau des appareils :

- Lecture d'informations spécifiques à l'appareil
- Modification de l'affectation des entrées et des sorties binaires
- Modification de l'affectation des DEL
- Activation de différentes fonctions
- Modification des propriétés dynamiques



Une description détaillée et une liste précise des opérations lors de l'utilisation du logiciel « Mass Flow Communicator » est disponible dans la documentation du logiciel.

Téléchargement du logiciel à l'adresse [country.burkert.com](http://country.burkert.com)

## 10.1.4. Documentation

Désignation	Numéro d'identification	Numéro de commande
Démarrage rapide	805 788	Version imprimée 805 788
Manuel d'utilisation	805 765	Données sur CD 804 625
Complément du manuel d'utilisation pour les appareils de bus de terrain	804 553	
Déclaration de contamination	806 075	

Tableau 13 : Documentation

## 10.2. Pièces de rechange

Pour les types 8708, 8718, 8709 et 8719, il existe différents jeux de pièces de rechange en fonction du matériau du joint.

Matériau du joint *)	Désignation	Numéro de commande
EPDM, DA	Jeu de joints avec filtre EPDM	208 579
FKM	Jeu de joints avec filtre FKM	208 580
FFKM	Jeu de joints avec filtre FFKM	208 582

Tableau 14 : Jeux de pièces de rechange



\*) Pour le matériau du joint, tenir compte des indications sur l'étiquette signalétique !

## 11. MISE HORS-SERVICE

### 11.1. Consignes de sécurité

#### **DANGER !**

Risque de blessures dû à la présence de haute pression dans l'installation !

- Avant de desserrer les conduites et les vannes, couper la pression et vider les conduites.

Risque de fuite du liquide de fonctionnement !

Risque de blessures graves en cas de contact avec le fluide d'exploitation et ses produits de réaction et vapeurs (contact, inhalation).

- Respecter les réglementations en vigueur pour les fluides d'exploitation utilisés en matière de prévention des accidents ainsi qu'en matière de sécurité.

Risque de choc électrique !

- Avant d'intervenir dans l'appareil ou l'installation, couper l'alimentation et empêcher toute remise sous tension par inadvertance !
- Respecter les réglementations en vigueur pour les appareils électriques en matière de prévention des accidents ainsi qu'en matière de sécurité !

#### **AVERTISSEMENT !**

Risque de blessures dû à un démontage non conforme !

- Le démontage doit être effectué uniquement par un personnel qualifié et habilité disposant de l'outillage approprié !

### 11.2. Démontage du LFC / LFM

Procédure à suivre :

- Eliminer la pression dans le système.
- Couper l'alimentation en tension.
- Desserrer les connexions électriques.
- Desserrer les connexions fluidiques.
- Vider le LFC / LFM.

## 12. EMBALLAGE, STOCKAGE, TRANSPORT

### 12.1. Emballage, Transport

#### REMARQUE !

##### Dommages dus au transport !

Les appareils insuffisamment protégés peuvent être endommagés pendant le transport.

- Retirer tous les câbles, raccords, filtres séparés et matériel de montage.
- Nettoyer et vider les appareils contaminés.
- Protéger les raccords fluidiques avec des capuchons de protection pour éviter tout endommagement et les rendre étanches.
- Emballer l'appareil dans un film de protection approprié scellé.
- Transporter l'appareil à l'abri de l'humidité et des impuretés et dans un emballage résistant aux chocs.
- Éviter le dépassement des limites de température de stockage admissible.

### 12.2. Stockage

#### REMARQUE !

Un mauvais stockage peut endommager l'appareil.

- Sécher l'appareil avant les pauses de fonctionnement prolongées !
- Stocker l'appareil au sec et à l'abri des poussières !
- Température de stockage : -10...+70 °C.

## 13. RENVOI



Pour renvoyer un appareil ayant déjà été utilisé, un numéro d'autorisation est nécessaire!

Pour renvoyer à Bürkert un appareil ayant déjà été utilisé, procéder comme suit :

- Remplir la déclaration de contamination fournie avec les documents d'origine.
- Envoyer la déclaration à l'adresse indiquée sur le formulaire.

Bürkert enverra, par fax ou e-mail, un numéro d'autorisation pour le renvoi.

- Emballer l'appareil comme cela est indiqué au chapitre *12.1.Emballage, Transport*.
- Renvoyer l'appareil avec ce numéro d'autorisation et la déclaration de contamination à Bürkert.

Adresse:

Bürkert Fluid Control Systems  
Corporate Quality / Complaint Management  
Chr.-Bürkert-Str. 13-17  
D-74653 Ingelfingen  
Tél. + 49 (0) 7940 - 10 91 599  
Fax + 49 (0) 7940 - 10 91 490  
E-mail : [service.international@burkert.com](mailto:service.international@burkert.com)



Aucune opération ou inspection ne sera réalisée au niveau de l'appareil en l'absence de déclaration de contamination valable.

La déclaration de contamination peut être téléchargée sur notre site Internet ou demandée auprès de Bürkert Ingelfingen.

Bürkert Fluid Control Systems  
Sales Center  
Chr.-Bürkert-Str. 13-17  
D-74653 Ingelfingen  
Tél. + 49 (0) 7940 - 10 91 111  
Fax + 49 (0) 7940 - 10 91 448  
E-mail : [info@de.buerkert.com](mailto:info@de.buerkert.com)

[country.burkert.com](http://country.burkert.com)

## 14. DÉMANTÈLEMENT

### Élimination écologique



- Respecter les réglementations nationales en matière d'élimination et d'environnement.
- Collecter séparément les appareils électriques et électroniques et les éliminer de manière spécifique.

Plus d'informations sur [country.burkert.com](https://country.burkert.com).







